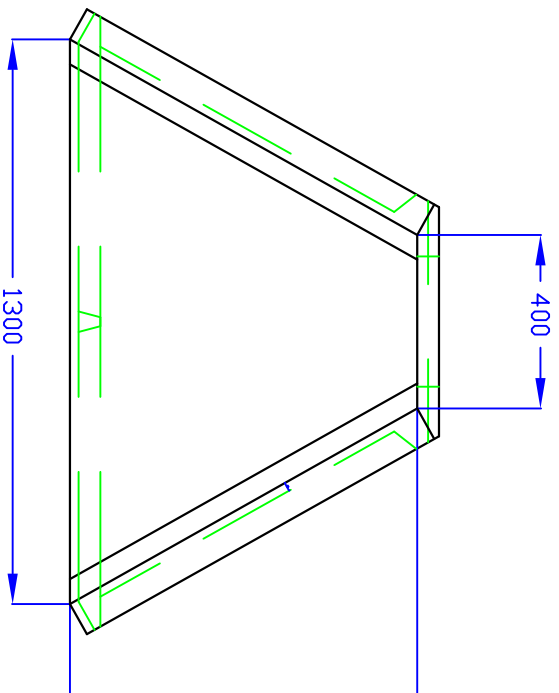
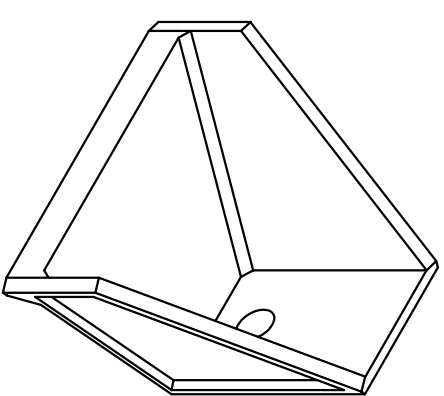
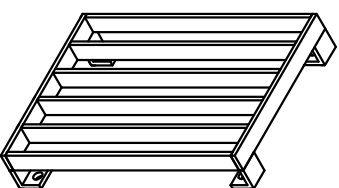


H3G

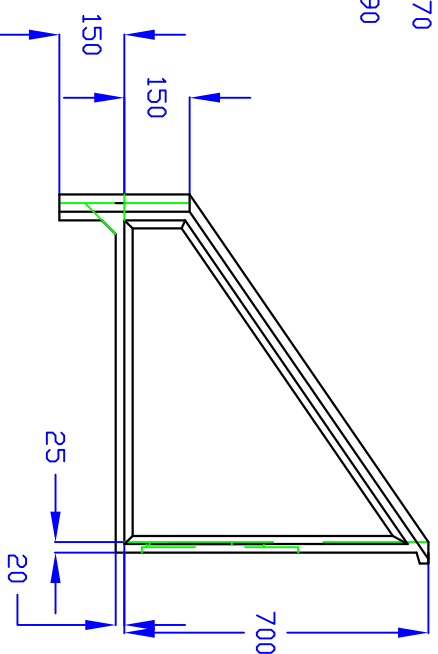
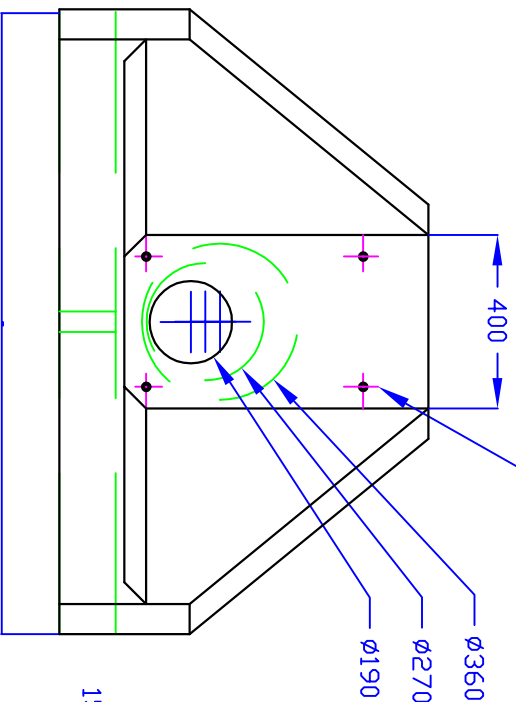
(DRAINAGE OUTFALL)



M12 threaded socket
for attaching grating
see Detail B



Detail 'B'



Installation.

Units should be bedded on minimum 100mm of semi-dry concrete. Sit the headwall level or with a slight fall 1:50 from pipe to spill mouth.

Material:- Glass Reinforced Cement.

Weight:- Approximately 150Kg

All dimensions in mm



ALTHON LIMITED, VULCAN ROAD SOUTH,
NORWICH, NR6 6AF
TEL 01603 488700 FAX 01603488598
www.althon.co.uk

Drng. No. H3G