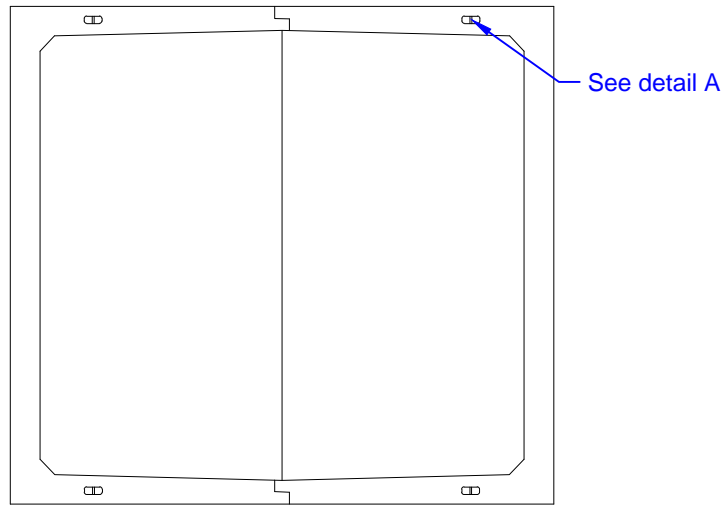


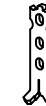
# Chieftan Chamber (Inspection Chamber)



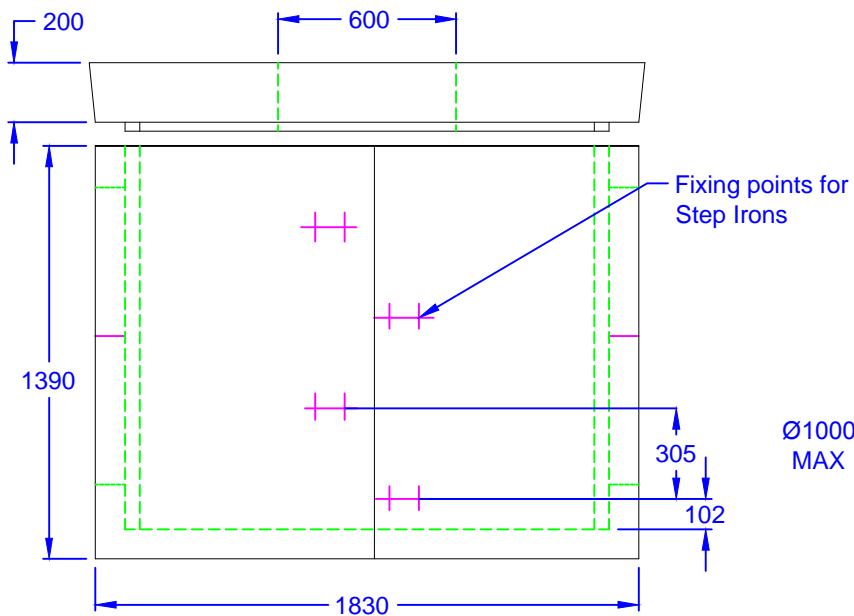
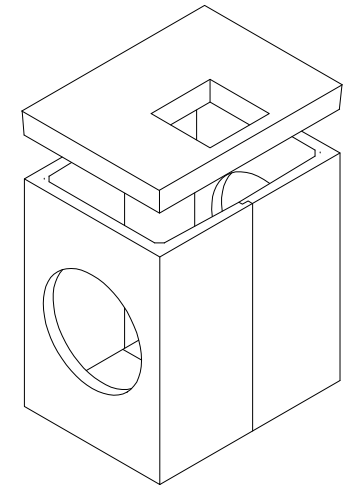
PLAN VIEW WITH LID REMOVED



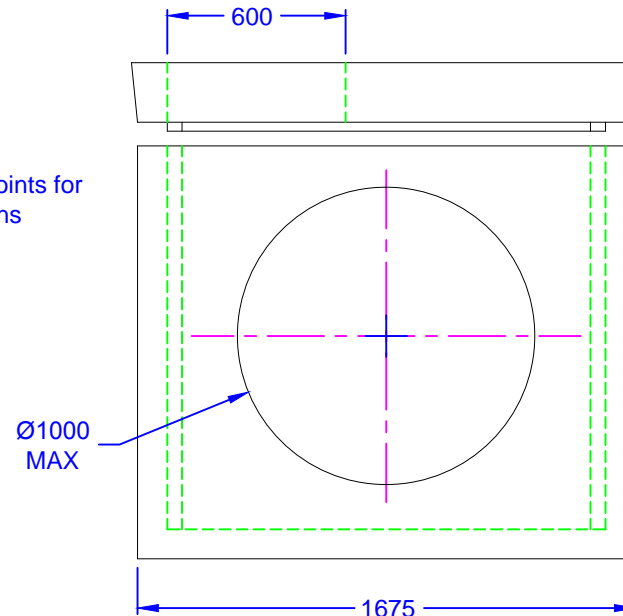
Lifting ring clutch



Detail 'A'  
'Cast in' Universal anchor point



SIDE VIEW OF CHAMBER



Ø1000  
MAX

## Installation

Units should be bedded on minimum 100mm of ready mixed concrete. Each section should be hoisted into position separately ensuring that the two sections butt together correctly. Use the galvanised bolts through the the fixing brackets at each side to keep the units together during back filling

Material: Reinforced Concrete

Weight Approx: 2700kg + 1300kg

All Dimensions in mm



ALTHON LIMITED, VULCAN ROAD SOUTH, NORWICH NR6 6AF  
TEL 01603 488700 FAX 01603 488598

1830 x 1675 - 1390mm high

Chieftan Chamber