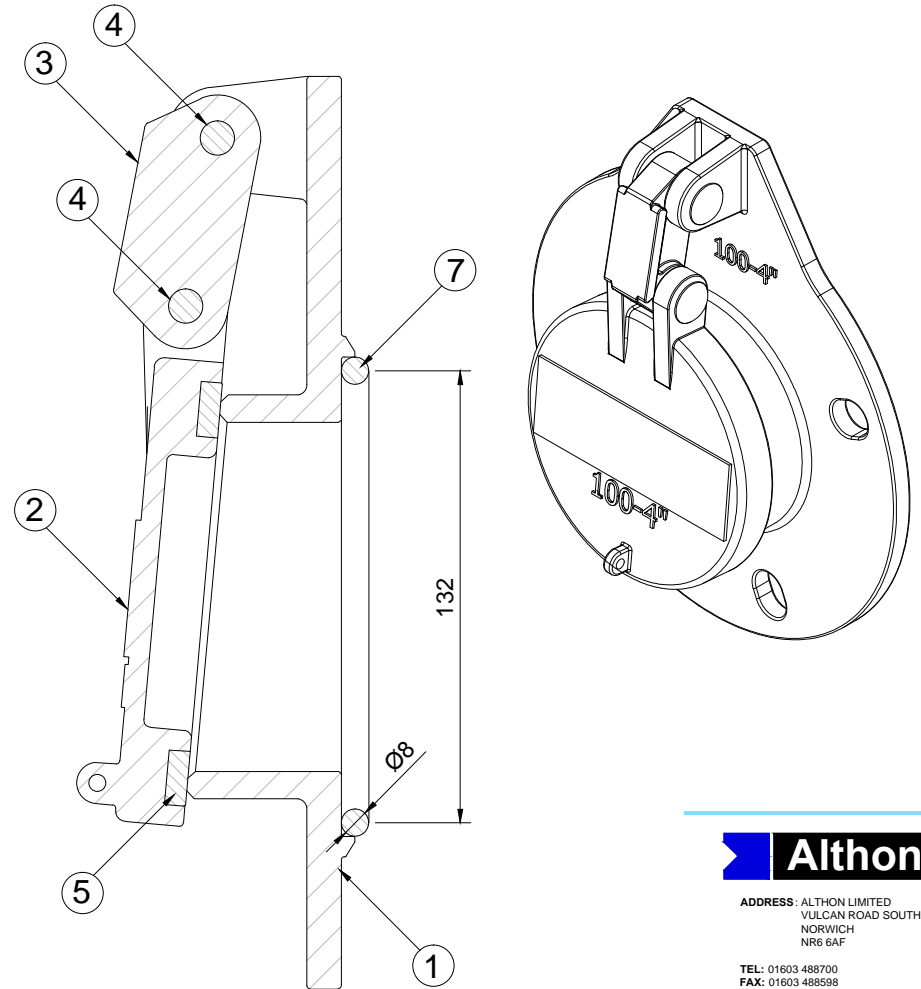


Section A-A



Althon 100mm Resilient Flap Valve Mounting Specification Information

The O ring item 7 is for mounting the flap valve onto a pipe flange or high quality flat surface and is supplied as part of the fixing kit which needs to be ordered separately.  
For standard wall mounting the flap valve should be grouted in the normal way.

100MM RESILIENT FLAP VALVE				
ITEM	QTY	PART NUMBER	DESCRIPTION	MATERIAL
1	1	100FRAMERESASME	100mm Frame casting	Ductile iron casting
2	1	100RESDOOR	100mm Door casting	Ductile iron casting
3	1	80100BLINK	80mm Link	Ductile iron casting
4	2	100PIN	100mm Link pin	Stainless steel - grade 316
5	1	100RESFACING	100mm Resilient face	Resilient epoxy material
6	4	10STAR	10mm Star washer	Stainless steel - grade 316
7	1	100X8ORING	140x8 O Ring	Neoprene foam