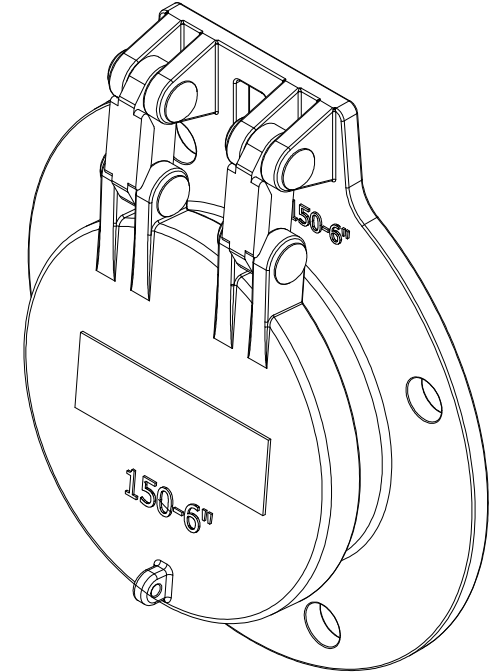
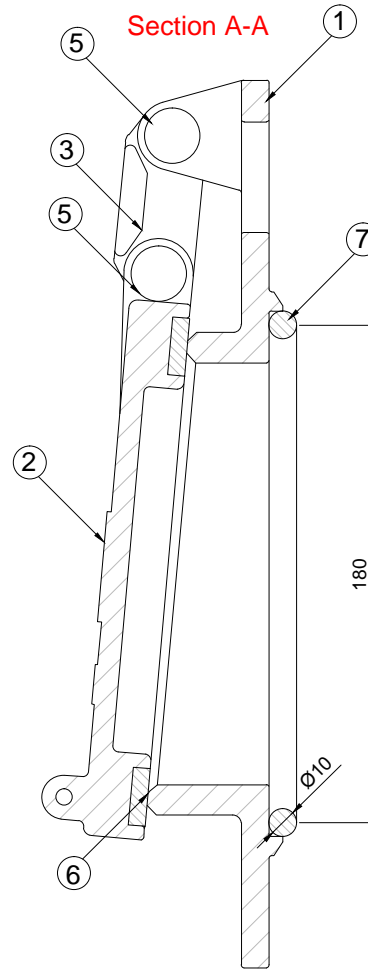
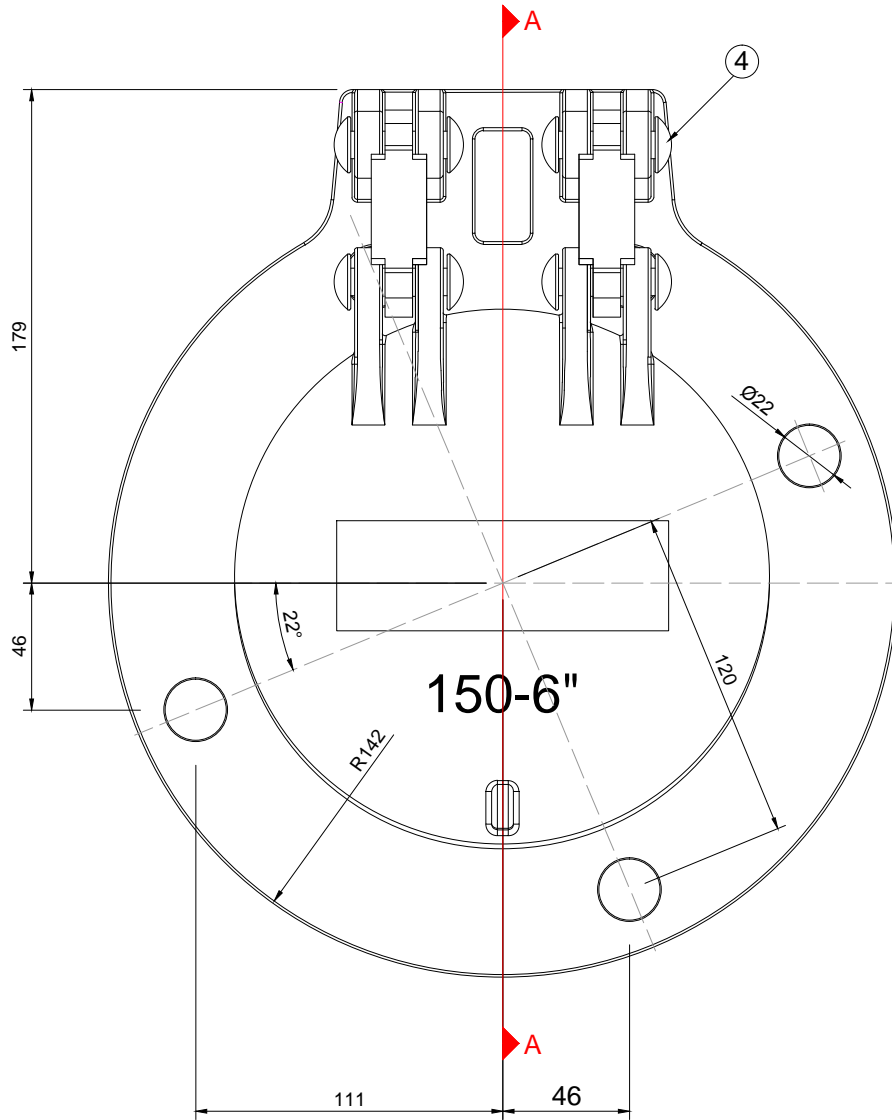


ALTHON 150MM DUCTILE IRON FLAP VALVE



Althon 150mm Resilient Flap Valve Mounting Specification Information

The O ring item 7 is for mounting the flap valve onto a pipe flange or high quality flat surface and is supplied as part of the fixing kit which needs to be ordered separately.
For standard wall mounting the flap valve should be grouted in the normal way.

150MM RESILIENT FLAP VALVE				
ITEM	QTY	PART NUMBER	DESCRIPTION	MATERIAL
1	1	150FRAMERESASME	150mm Frame casting	Ductile iron casting
2	1	150RESDOOR	150mm Door casting	Ductile iron casting
3	2	150300BLINK	225mm Link	Ductile iron casting
4	4	150PIN	150mm Link pin	Stainless steel - grade 316
5	8	10STAR	10mm Star washer	Stainless steel - grade 316
6	1	150RESFACING	150mm Resilient face	Resilient epoxy material
7	1	190X10ORING	190x10 O Ring	Neoprene foam

ADDRESS: ALTHON LIMITED
VULCAN ROAD SOUTH
NORWICH
NR6 6AF

TEL: 01603 488700
FAX: 01603 488598
EMAIL: sales@althon.co.uk
WEBSITE: www.althon.co.uk

DRAWING TITLE:

**150MM DUCTILE
IRON FLAP VALVE**

SCALE: NTS PAPER: A1 DATE: 07 - 09 - 15

DRAWING No: 150FV