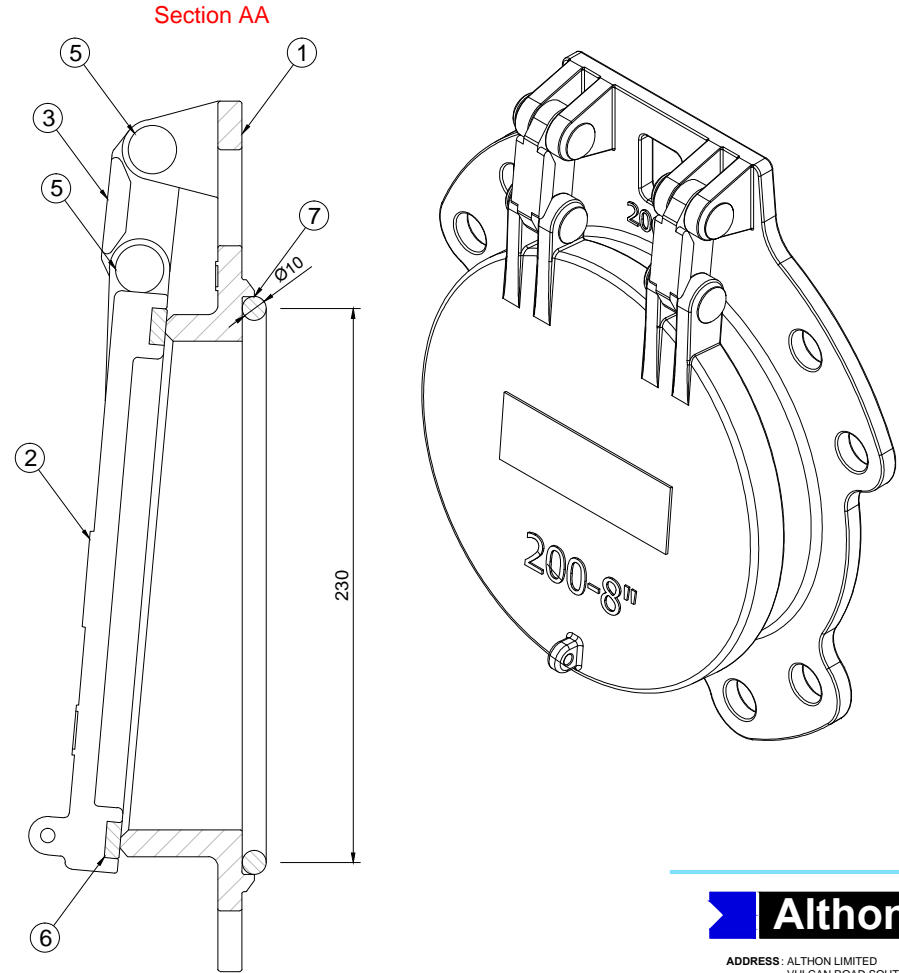
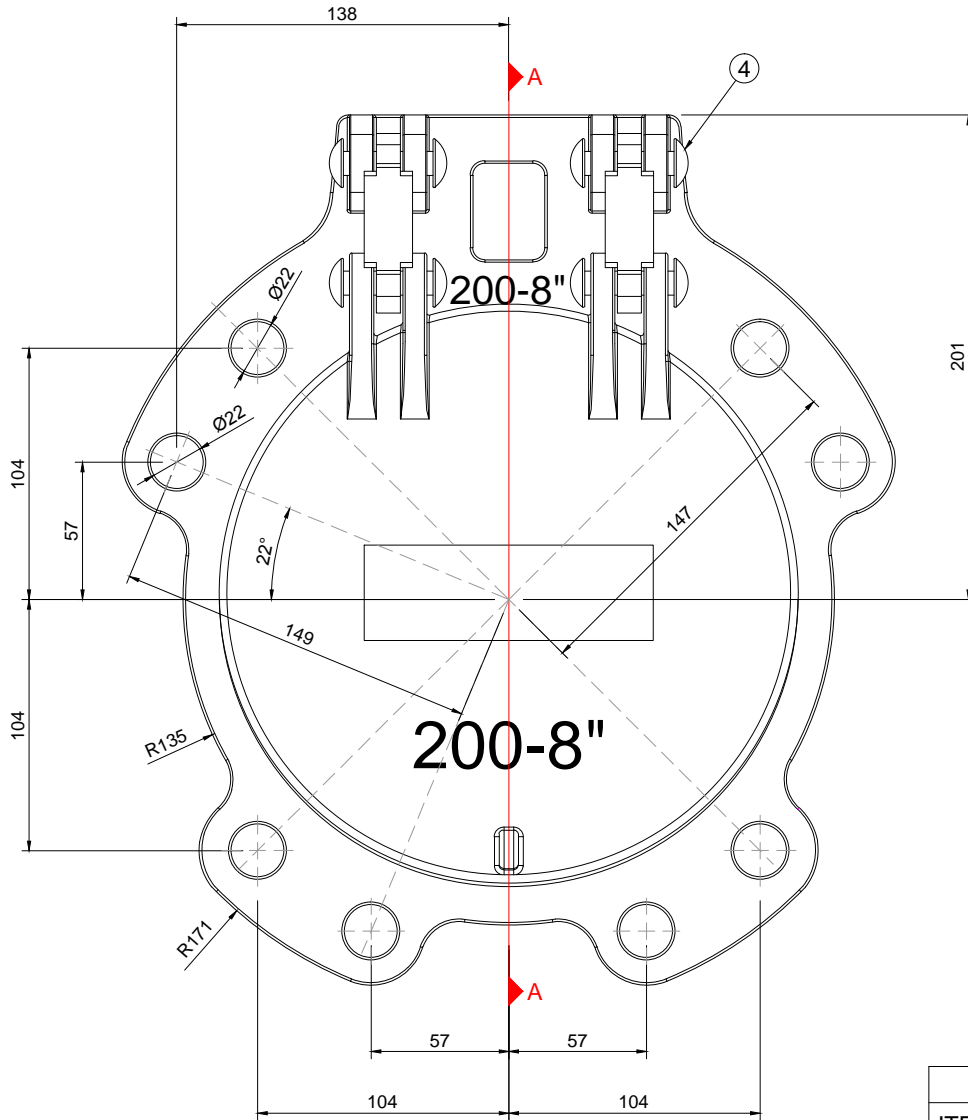


ALTHON 200MM DUCTILE IRON FLAP VALVE



Althon 200mm Resilient Flap Valve Mounting Specification Information

The O ring item 7 is for mounting the flap valve onto a pipe flange or high quality flat surface and is supplied as part of the fixing kit which needs to be ordered separately.
For standard wall mounting the flap valve should be grouted in the normal way.

200MM RESILIENT FLAP VALVE				
ITEM	QTY	PART NUMBER	DESCRIPTION	MATERIAL
1	1	200FRAMERESASME	200mm Frame casting	Ductile iron casting
2	1	200RESDOOR	200mm Door casting	Ductile iron casting
3	2	150300BLINK	225mm Link	Ductile iron casting
4	4	200PIN	200mm Hinge pin	Stainless steel - grade 316
5	8	10STAR	10mm Star washer	Stainless steel - grade 316
6	1	200RESFACING	200mm Resilient face	Resilient epoxy material
7	1	240X10ORING	240x10 O Ring	Neoprene foam

ADDRESS: ALTHON LIMITED
VULCAN ROAD SOUTH
NORWICH
NR6 6AF

TEL: 01603 488700
FAX: 01603 488598
EMAIL: sales@althon.co.uk
WEBSITE: www.althon.co.uk

DRAWING TITLE:

200MM DUCTILE IRON FLAP VALVE

SCALE: NTS PAPER: A1 DATE: 08 - 09 - 15

DRAWING No: 200FV