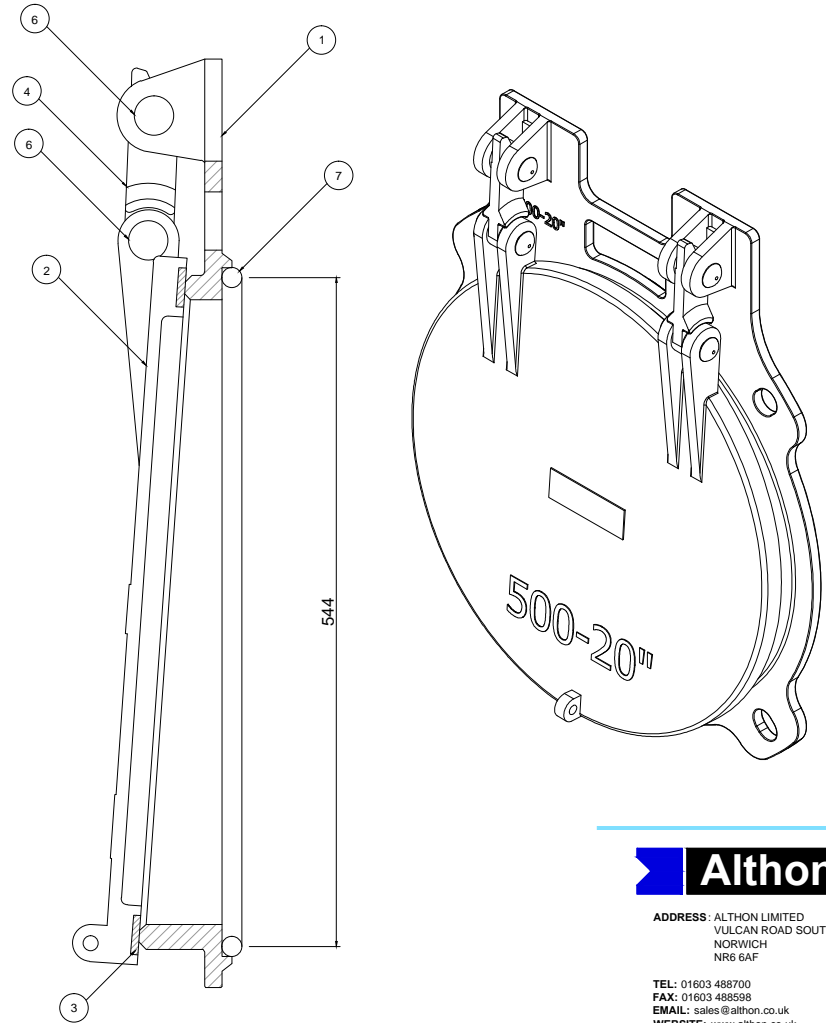


Section A-A



Althon 500mm Resilient Flap Valve Mounting Specification Information

The O ring item 7 is for mounting the flap valve onto a pipe flange or high quality flat surface and is supplied as part of the fixing kit which needs to be ordered separately.
For standard wall mounting the flap valve should be grouted in the normal way.

500MM RESILIENT FLAP VALVE				
ITEM	QTY	PART NUMBER	DESCRIPTION	MATERIAL
1	1	500FRAMERESASME	500mm Frame	Ductile iron casting
2	1	500DOOR	500mm Door	Ductile iron casting
3	1	500RESFACE	500mm Resilient Face	Resilient epoxy material
4	2	LINKR1	500mm Hinge Link	Ductile iron casting
5	4	16MMPIN	500mm Hinge Pin	Stainless steel - grade 316
6	8	M16STAR	16mm Star Washer	Stainless steel - grade 316
7	1	560X16ORING	560x16 O Ring	Neoprene foam

ADDRESS: ALTHON LIMITED
VULCAN ROAD SOUTH
NORWICH
NR6 6AF

TEL: 01603 488700
FAX: 01603 488598
EMAIL: sales@althon.co.uk
WEBSITE: www.althon.co.uk

DRAWING TITLE:

**500MM DUCTILE
IRON FLAP VALVE**

SCALE: NTS PAPER: A1 DATE: 04 - 09 - 15

DRAWING No: 500FV