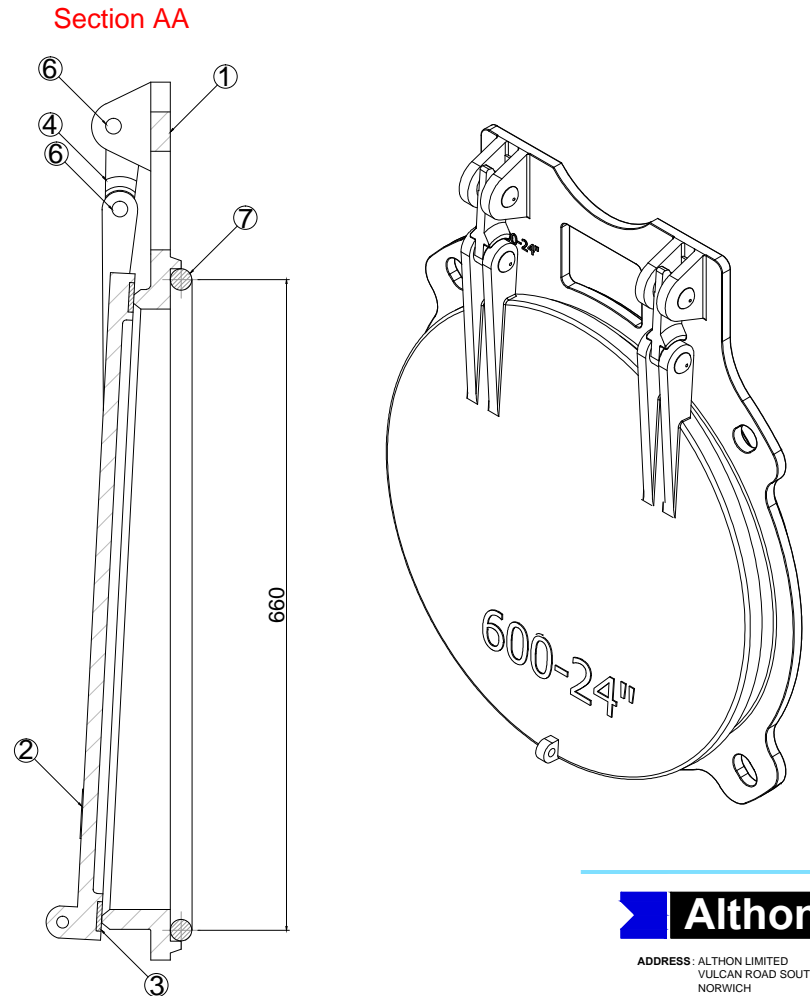
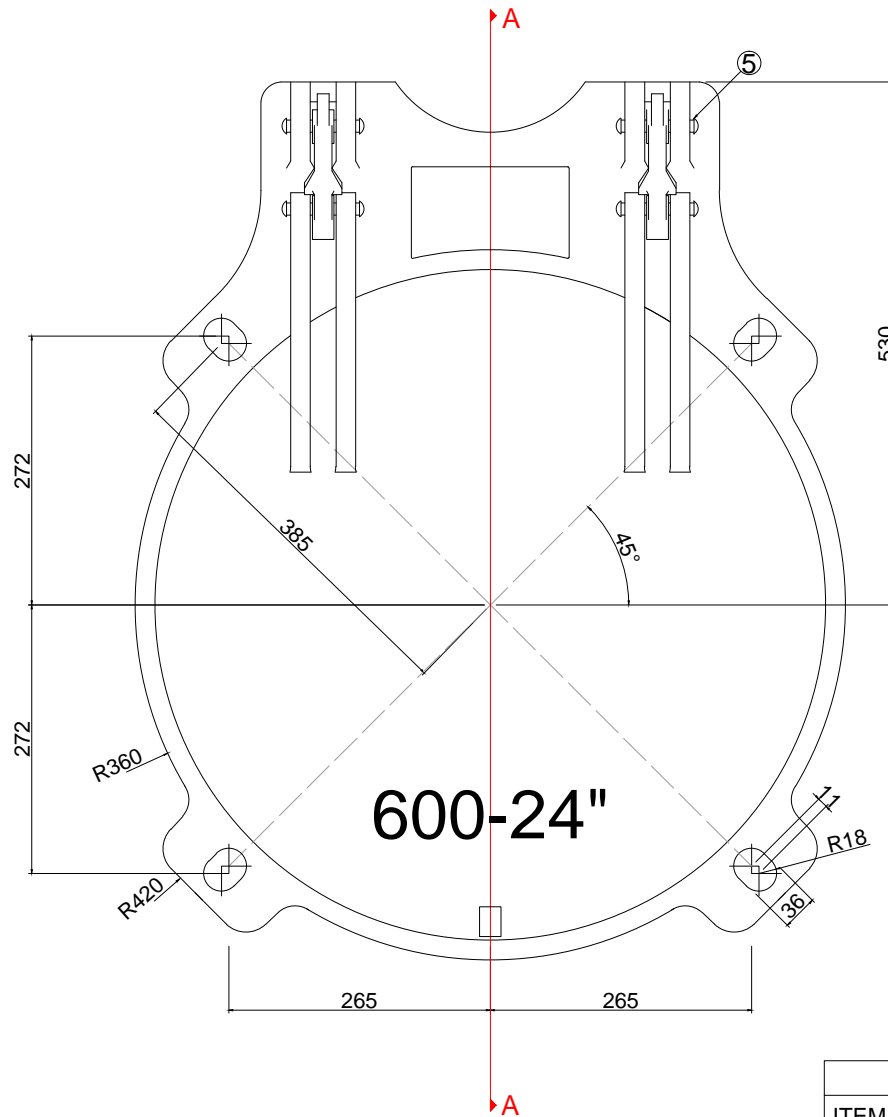


ALTHON 600MM DUCTILE IRON FLAP VALVE



Althon 600mm Resilient Flap Valve Mounting Specification Information

The O ring item 7 is for mounting the flap valve onto a pipe flange or high quality flat surface and is supplied as part of the fixing kit which needs to be ordered separately.  
For standard wall mounting the flap valve should be grouted in the normal way.

600MM RESILIENT FLAP VALVE				
ITEM	QTY	PART NUMBER	DESCRIPTION	MATERIAL
1	1	600FRAMERESASME	600mm Frame casting	Ductile iron casting
2	1	600RESDOOR	600mm Door casting	Ductile iron casting
3	1	600RESFACE	600mm Resilient Face	Resilient epoxy material
4	2	LINKR1	600mm Hinge Link	Ductile iron casting
5	4	M16STAR	600mm Hinge Pin	Stainless steel - grade 316
6	8	680X20ORING	16mm Star Washer	Stainless steel - grade 316
7	1	270X12ORING	680x20 O Ring	Neoprene foam

ADDRESS: ALTHON LIMITED  
VULCAN ROAD SOUTH  
NORWICH  
NR6 6AF

TEL: 01603 488700  
FAX: 01603 488598  
EMAIL: sales@althon.co.uk  
WEBSITE: www.althon.co.uk

DRAWING TITLE:

**600MM DUCTILE  
IRON FLAP VALVE**

SCALE: NTS PAPER: A1 DATE: 28 - 08 - 15

DRAWING No: 600FV