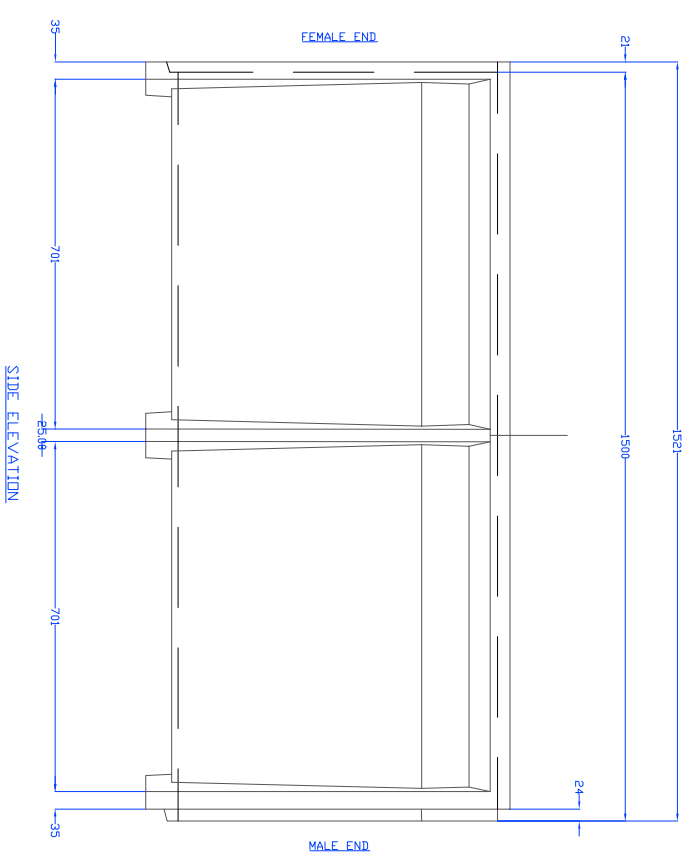
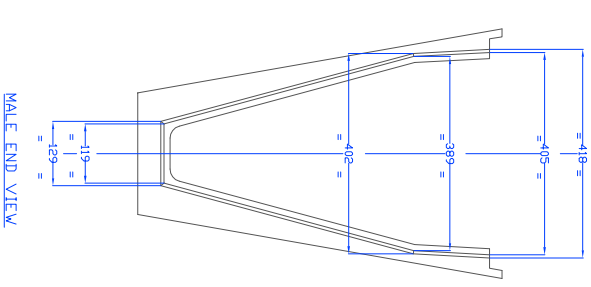


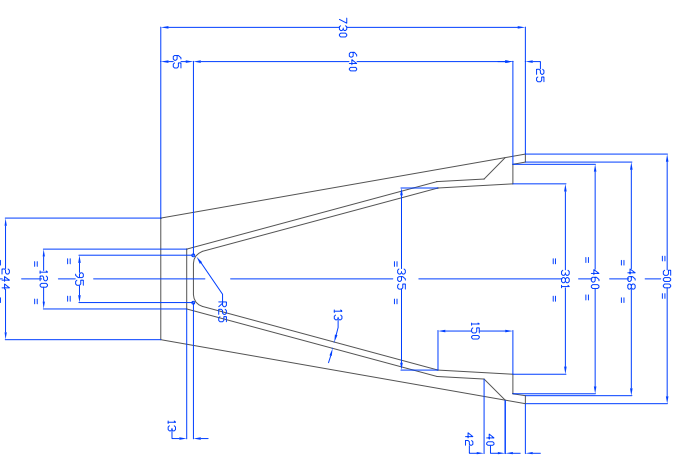
FEMALE END VIEW



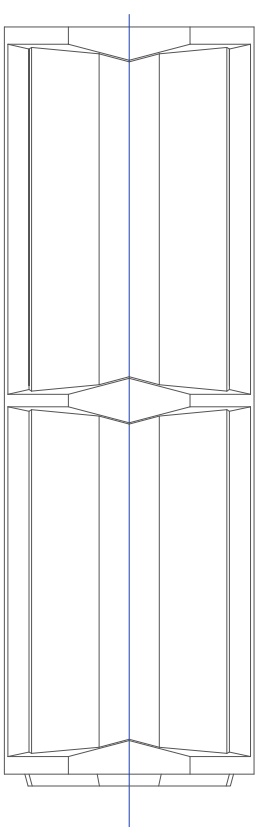
SIDE ELEVATION



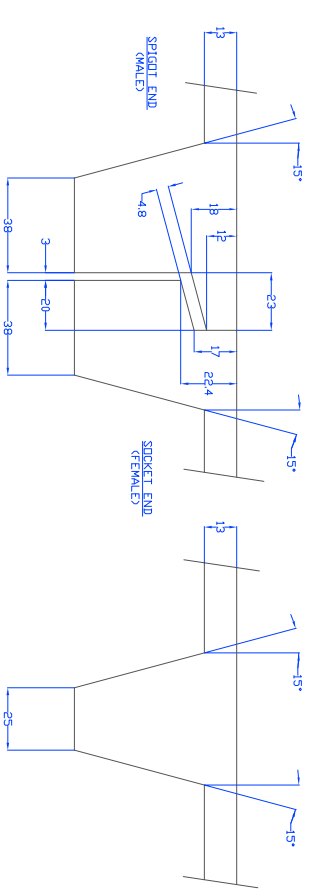
MALE END VIEW



TYPICAL SECTION VIEW



VIEW ON UNDERSIDE



TYPICAL SECTION THROUGH JOINT

TYPICAL SECTION THROUGH MIDDLE RIB

CH 375 ALTHON CHANNEL SECTIONS



High Capacity Drainage
 www.althon.co.uk
 Email: sales@althon.co.uk
 tel 01603 488700 fax 01603 488598
ALTHON Channel Details