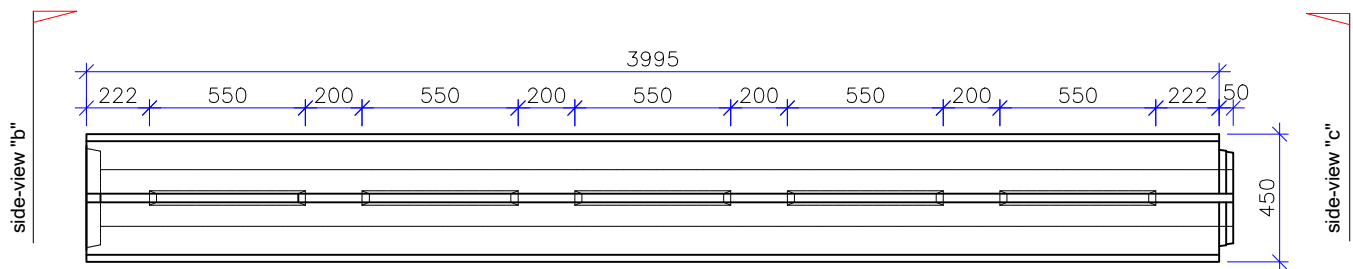
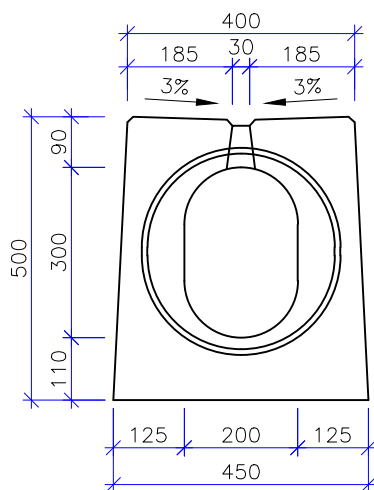


Althon-slot-channel PROFIL I-1, DN20x30

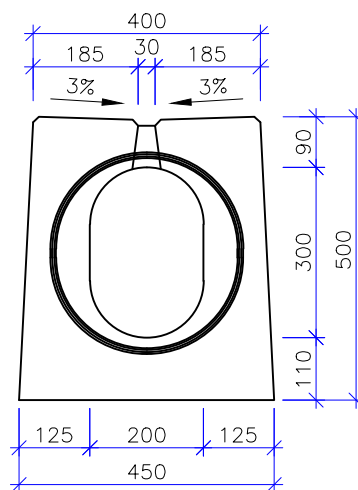
load-classes:	D400kN, F900kN
height:	500 mm
length:	4.000 mm
width:	400/450 mm
slot-width/length:	30/500 mm
size of profile DN:	200x300 mm
area of current profile:	514 cm ²
inlet cross section:	187,5 cm ² /m
weight base-channel:	1.510 kg/Stk.(pcs.)



side view groove



side view tongue



ADDRESS: ALTHON LIMITED
VULCAN ROAD SOUTH
NORWICH
NR6 6AF

TEL: 01603 488700
FAX: 01603 488598
EMAIL: sales@althon.co.uk
WEBSITE: www.althon.co.uk

DRAWING TITLE:

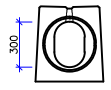
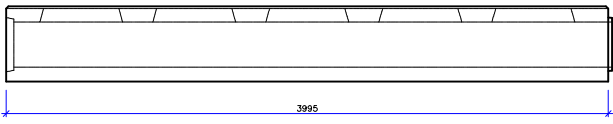
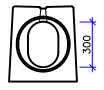
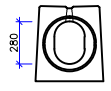
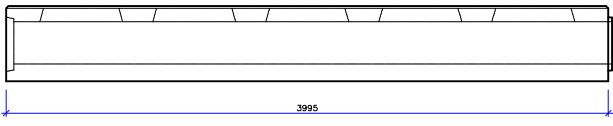
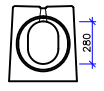
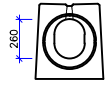
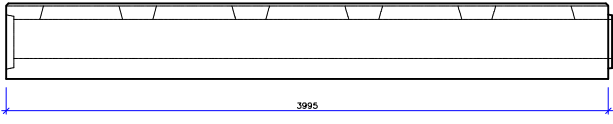
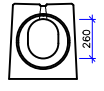
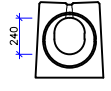
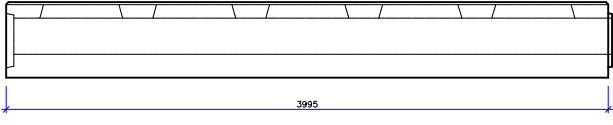
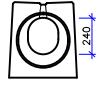
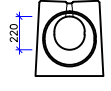
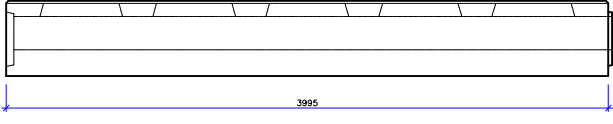
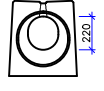
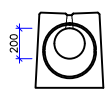
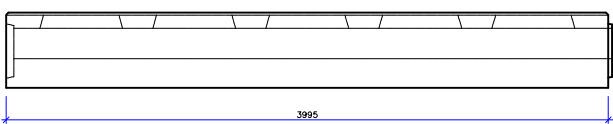
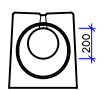
**BG Slot Chanel
I - 1, DN 20x30**

SCALE: NTS PAPER: A4 DATE: 27 - 08 - 15

DRAWING No:

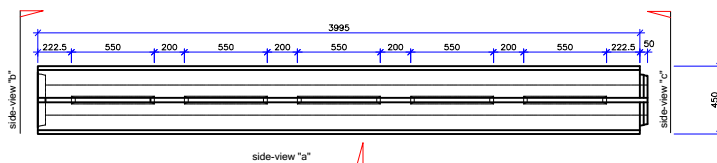
1 OF 9

DRAWING FOR ILLUSTRATION PURPOSES ONLY

PROFIL	side-view "b" groove	side-view "a"	side-view "c" tongue	slope
I-1-T30/30				without internal-slope
I-1-T28/28				without internal-slope
I-1-T26/26				without internal-slope
I-1-T24/24				without internal-slope
I-1-T22/22				without internal-slope
I-1-T20/20				without internal-slope

★ protected industrial design

top-view:



ADDRESS: ALTHON LIMITED
VULCAN ROAD SOUTH
NORWICH
NR6 6AF

TEL: 01603 488700
FAX: 01603 488598
EMAIL: sales@althon.co.uk
WEBSITE: www.althon.co.uk

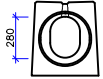
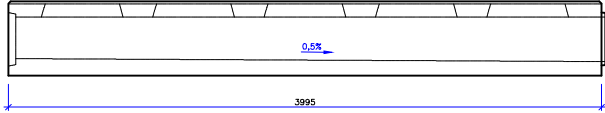
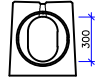
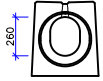
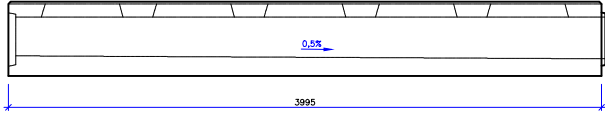
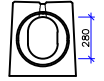
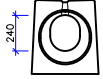
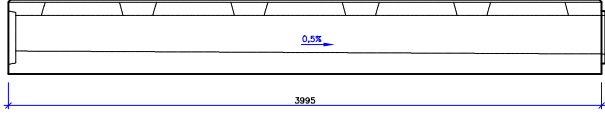
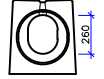
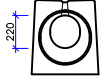
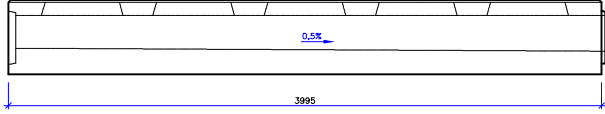
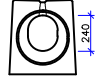
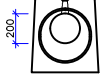
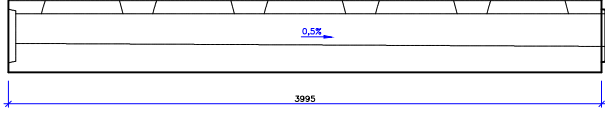
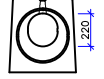
DRAWING TITLE:

BG Slot Chanel
I - 1, DN 20x30

SCALE: NTS	PAPER: A4	DATE: 27 - 08 - 15
---------------	--------------	-----------------------

DRAWING No: 2 OF 9

DRAWING FOR ILLUSTRATION PURPOSES ONLY

PROFIL	side-view "b" groove	side-view "a"	side-view "c" tongue	slope
I-1-G28/30				with internal-slope
I-1-G26/28				with internal-slope
I-1-G24/26				with internal-slope
I-1-G22/24				with internal-slope
I-1-G20/22				with internal-slope



ADDRESS: ALTHON LIMITED
VULCAN ROAD SOUTH
NORWICH
NR6 6AF

TEL: 01603 488700
FAX: 01603 488598
EMAIL: sales@althon.co.uk
WEBSITE: www.althon.co.uk

DRAWING TITLE:

BG Slot Chanel
I - 1, DN 20x30

SCALE: NTS	PAPER: A4	DATE: 27 - 08 - 15
---------------	--------------	-----------------------

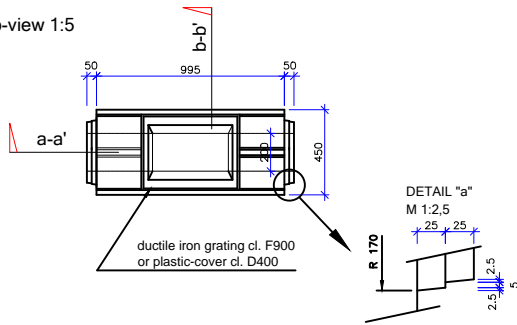
DRAWING No:

3 OF 9

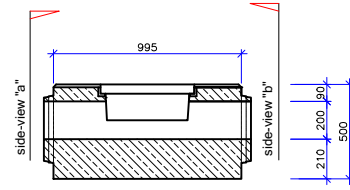
DRAWING FOR ILLUSTRATION PURPOSES ONLY

cleaning element "high point" with grate, I-1-CS

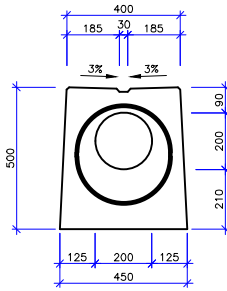
top-view 1:5



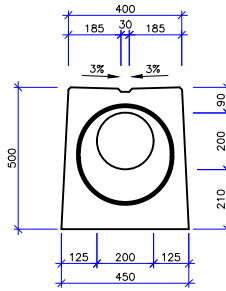
section: a-a' M 1:5



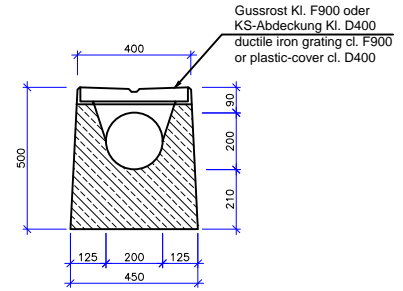
side-view "a" M 1:5



side-view "b" M 1:5

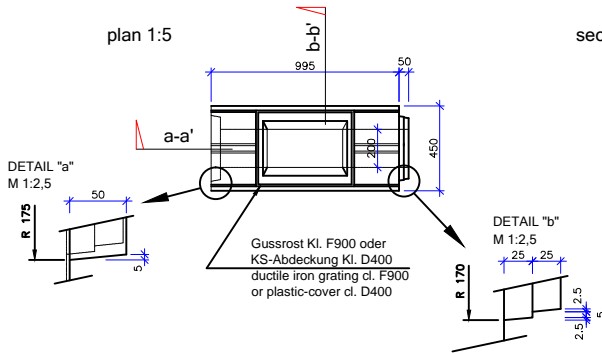


section: b-b' M 1:5

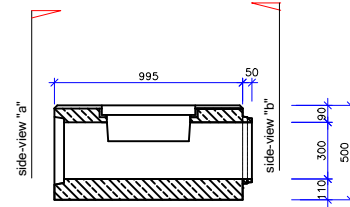


cleaning element "base" with grate, I-1-C0

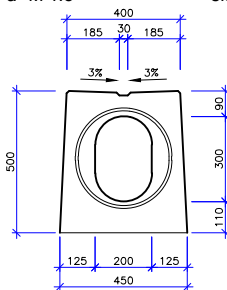
plan 1:5



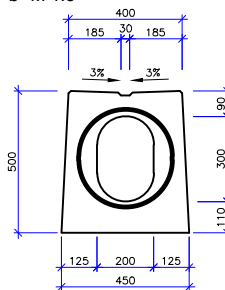
section: a-a' M 1:5



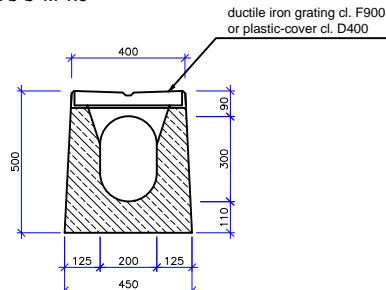
side-view "a" M 1:5



side-view "b" M 1:5



section: b-b' M 1:5



ADDRESS: ALTHON LIMITED
VULCAN ROAD SOUTH
NORWICH
NR6 6AF

TEL: 01603 488700
FAX: 01603 488598
EMAIL: sales@althon.co.uk
WEBSITE: www.althon.co.uk

DRAWING TITLE:

BG Slot Chanel
I - 1, DN 20x30

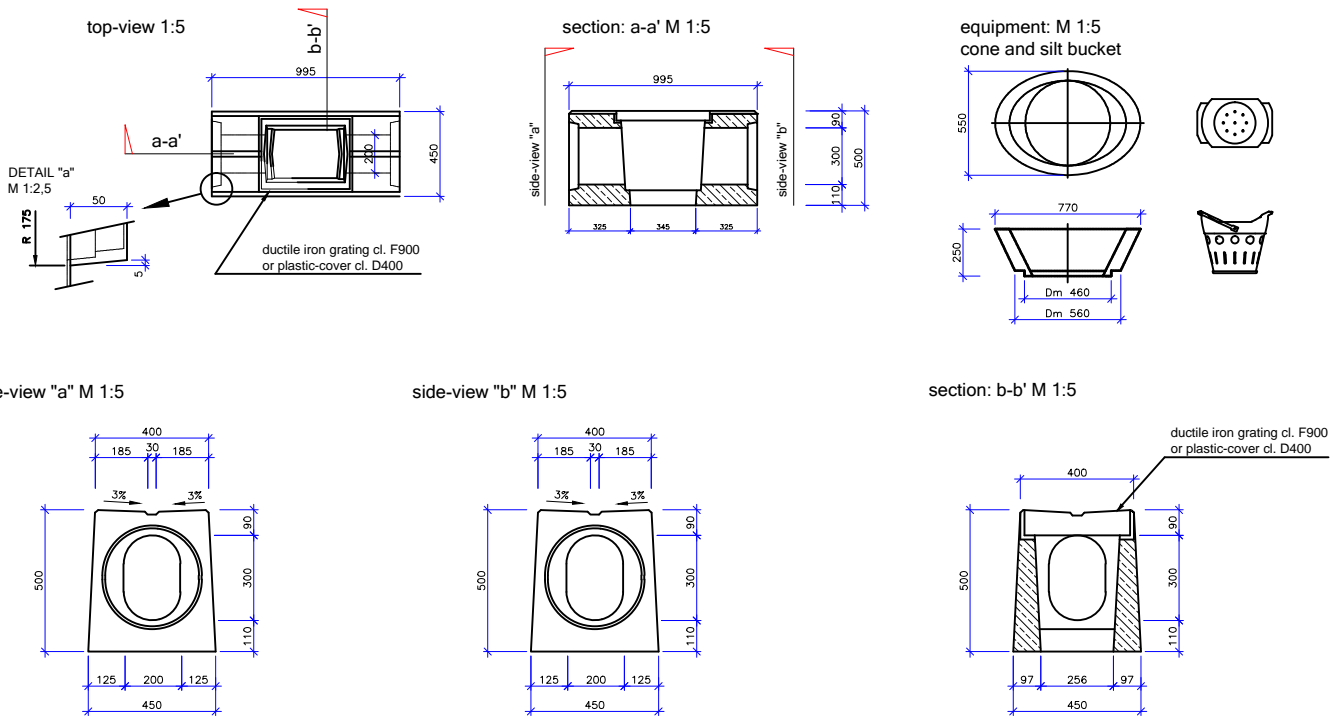
SCALE:	PAPER:	DATE:
NTS	A4	27 - 08 - 15

DRAWING No:

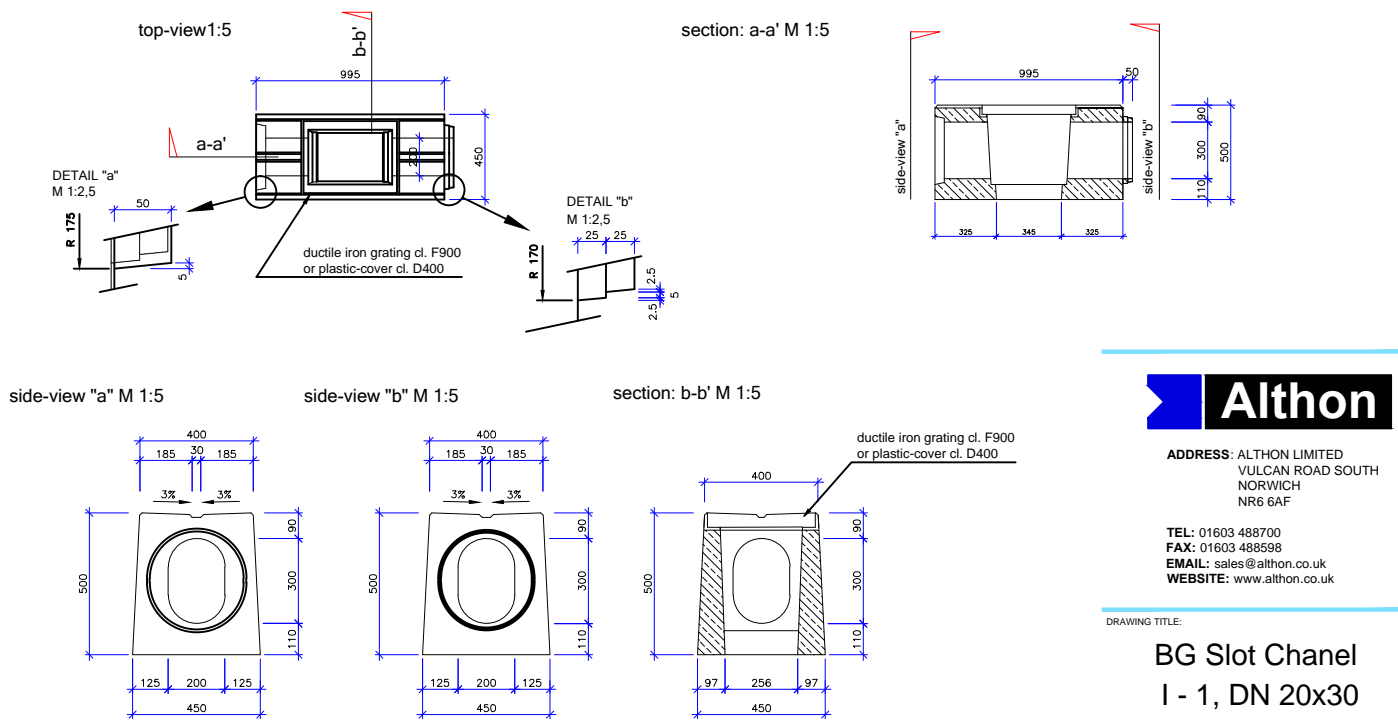
4 OF 9

DRAWING FOR ILLUSTRATION PURPOSES ONLY

sump unit "valley/sink" with grate, I-1-VU



sump unit "base" with grate, I-1-V0



Althon

ADDRESS: ALTHON LIMITED
VULCAN ROAD SOUTH
NORWICH
NR6 6AF

TEL: 01603 488700
FAX: 01603 488598
EMAIL: sales@althon.co.uk
WEBSITE: www.althon.co.uk

DRAWING TITLE:

BG Slot Chanel
I - 1, DN 20x30

SCALE:	PAPER:	DATE:
NTS	A4	27 - 08 - 15

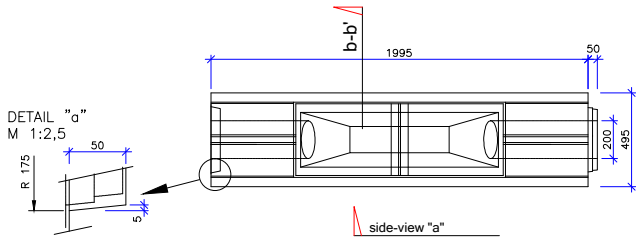
DRAWING No:

5 OF 9

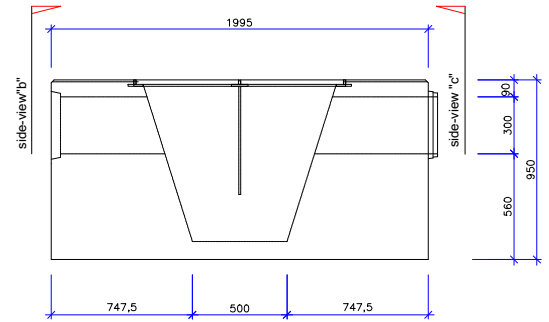
DRAWING FOR ILLUSTRATION PURPOSES ONLY

fire protection unit, I-1-PP

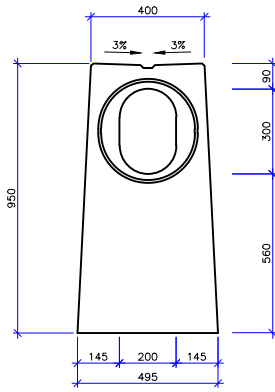
top-view 1:5



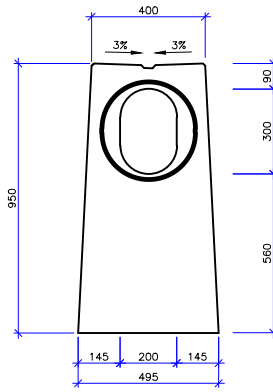
side-view "a" M 1:5



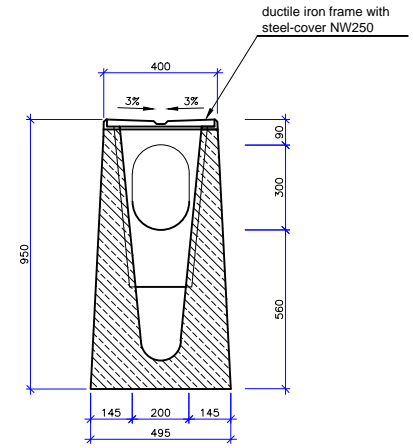
side-view "b" M 1:5



side-view "c" M 1:5

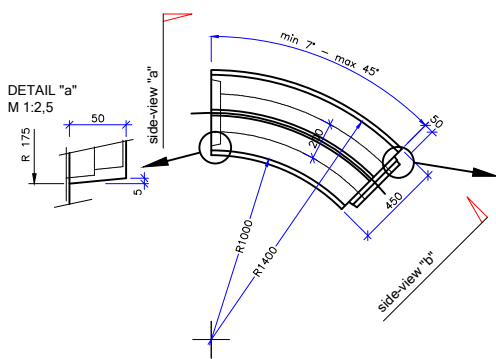


section: b-b' M 1:5

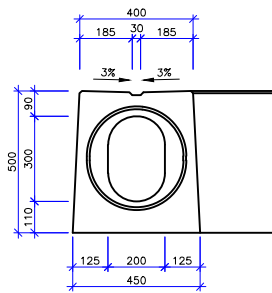


slot channel bended, I-1

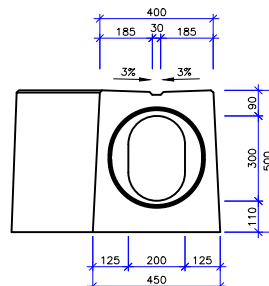
top-view 1:5



side-view "a" M 1:5



side-view "b" M 1:5



ADDRESS: ALTHON LIMITED
VULCAN ROAD SOUTH
NORWICH
NR6 6AF

TEL: 01603 488700
FAX: 01603 488598
EMAIL: sales@althon.co.uk
WEBSITE: www.althon.co.uk

DRAWING TITLE:

BG Slot Chanel
I - 1, DN 20x30

SCALE: NTS	PAPER: A4	DATE: 27 - 08 - 15
---------------	--------------	-----------------------

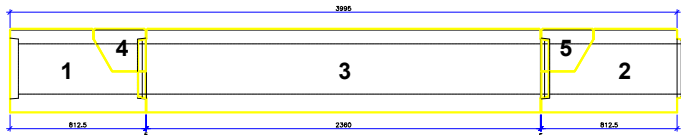
DRAWING No: 6 OF 9

DRAWING FOR ILLUSTRATION PURPOSES ONLY

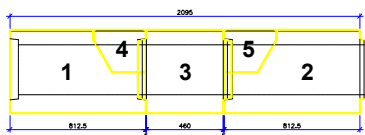
slot-channel "replacement part" cl. D400

Teil	PROFIL	side-view "b"	side-view "a"	side-view "c"	top view	slope
installation part 1	I-1-30/30				<p style="text-align: center;">side-view "a"</p>	without internal-slope
installation part 2	I-1-30/30				<p style="text-align: center;">side-view "a"</p>	without internal-slope
installation part 3	I-1-30/30				<p style="text-align: center;">side-view "a"</p>	without internal-slope

replacement part max. length 4000mm



replacement part min. length 2100mm



ADDRESS: ALTHON LIMITED
VULCAN ROAD SOUTH
NORWICH
NR6 6AF

TEL: 01603 488700
FAX: 01603 488598
EMAIL: sales@althon.co.uk
WEBSITE: www.althon.co.uk

DRAWING TITLE:

BG Slot Chanel
I - 1, DN 20x30

SCALE: NTS	PAPER: A4	DATE: 27 - 08 - 15
---------------	--------------	-----------------------

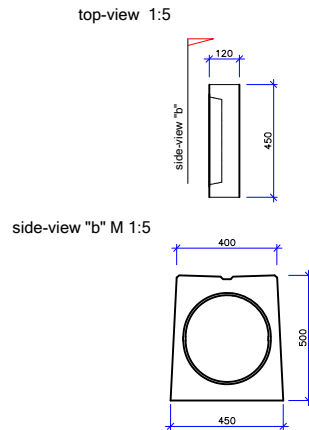
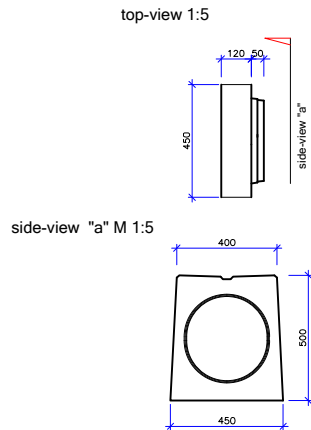
DRAWING No:

7 OF 9

DRAWING FOR ILLUSTRATION PURPOSES ONLY

Teil	PROFIL	side-view "b"	side-view "a"	side-view "c"	top view	slope
installation part 4	I-1-30/30					without internal-slope
installation part 5	I-1-30/30					without internal-slope

front/end-cap



ADDRESS: ALTHON LIMITED
VULCAN ROAD SOUTH
NORWICH
NR6 6AF

TEL: 01603 488700
FAX: 01603 488598
EMAIL: sales@althon.co.uk
WEBSITE: www.althon.co.uk

DRAWING TITLE:

BG Slot Chanel
I - 1, DN 20x30

SCALE: NTS	PAPER: A4	DATE: 27 - 08 - 15
---------------	--------------	-----------------------

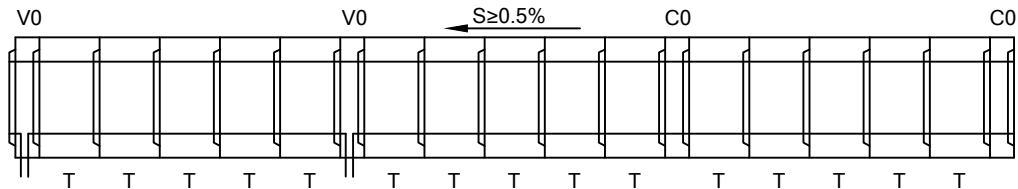
DRAWING No:

8 OF 9

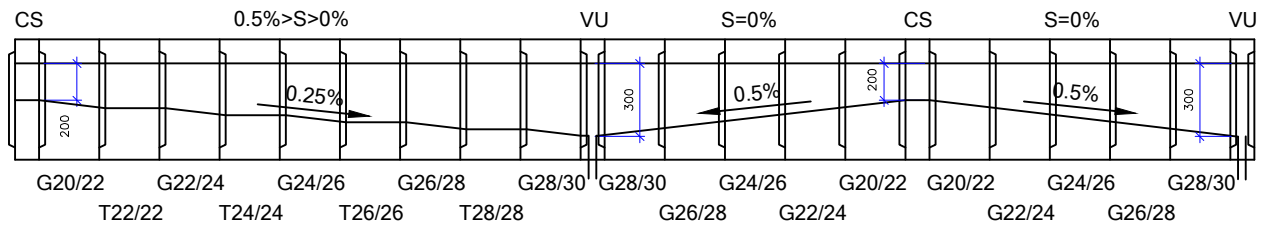
DRAWING FOR ILLUSTRATION PURPOSES ONLY

layout-examples PROFIL I-1:

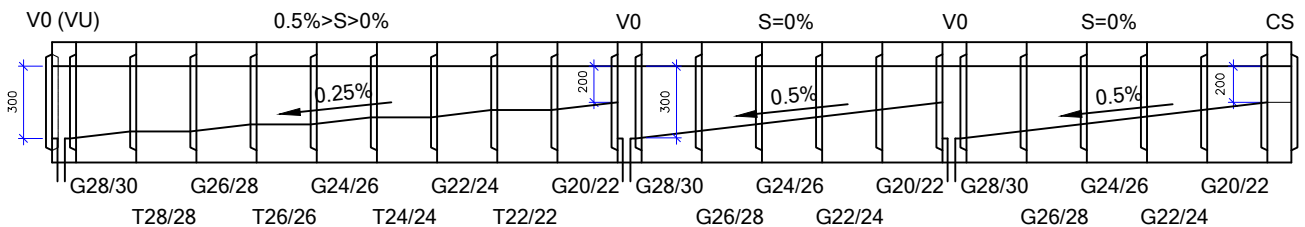
combination of slot-channels without internal-slope I-1-T:



combination of slot-channels with internal slope I-1-G: (slot-channels with bottom-outlet in roof-shaped sole)



combination of slot-channels with internal slope I-1-G: (slot-channels with bottom-outlet in pip-shaped sole)



Names of sump units and cleaning elements:

VO ... Gully "base" - tongue, groove
 Clear height of the opening at both ends 300 mm
 VU ... Gully "Valley/sink" - both sides with groove
 Clear height of the opening at both ends 300 mm
 CO ... Cleaning element "base" - spring groove
 Clear height of the opening at both ends 300 mm
 CS ... Cleaning element "high point" on both sides spring
 Clear height of opening on both sides \varnothing 200 mm
 S = average ground slope



ADDRESS: ALTHON LIMITED
 VULCAN ROAD SOUTH
 NORWICH
 NR6 6AF

TEL: 01603 488700
 FAX: 01603 488598
 EMAIL: sales@althon.co.uk
 WEBSITE: www.althon.co.uk

DRAWING TITLE:

BG Slot Chanel
I - 1, DN 20x30

SCALE:	PAPER:	DATE:
NTS	A4	27 - 08 - 15

DRAWING No:

9 OF 9

DRAWING FOR ILLUSTRATION PURPOSES ONLY