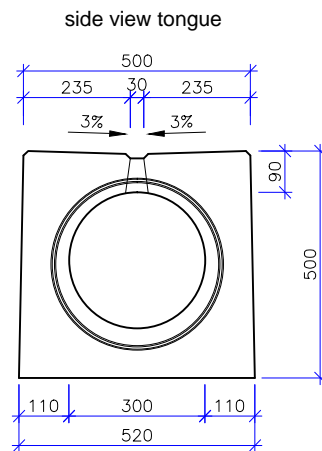
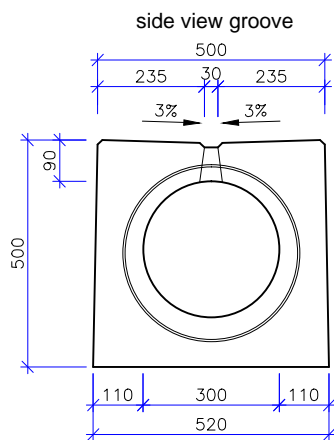
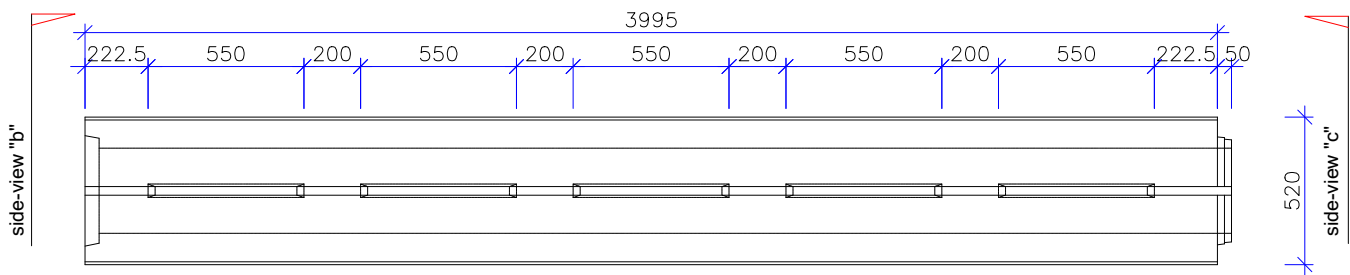


Althon BG-slot-channel PROFIL II-1, DN30x30

load-classes:	D400kN, F900kN
height:	500 mm
length:	4.000 mm
width:	500/520 mm
slot-width/length:	30/500 mm
size of profile DN:	DN 300 mm
area of current profile:	706 cm ²
inlet cross section:	187,5 cm ² /m
weight base-channel:	1.700 kg/Stk.(pcs.)



ADDRESS: ALTHON LIMITED
VULCAN ROAD SOUTH
NORWICH
NR6 6AF

TEL: 01603 488700
FAX: 01603 488598
EMAIL: sales@althon.co.uk
WEBSITE: www.althon.co.uk

DRAWING TITLE:

**BG Slot Chanel
II - 1, DN 30x30**

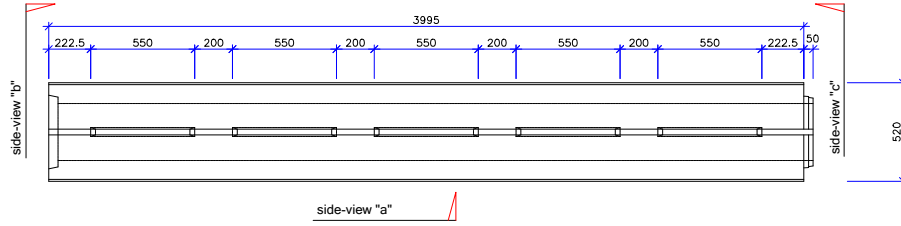
SCALE:	PAPER:	DATE:
NTS	A4	27 - 08 - 15

DRAWING No:

1 OF 4

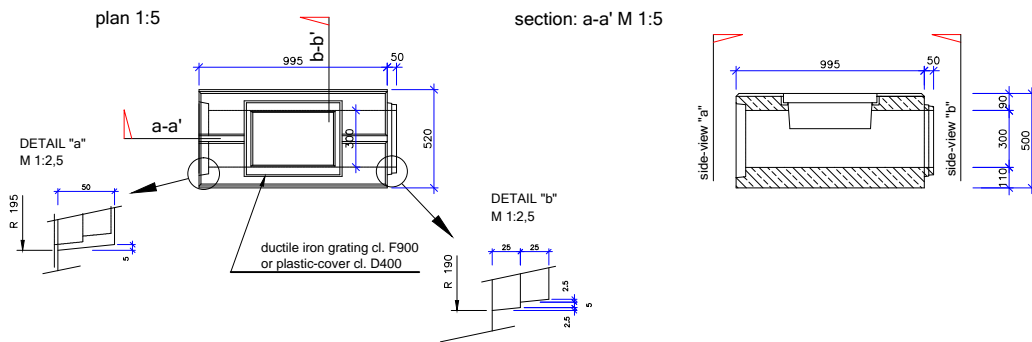
DRAWING FOR ILLUSTRATION PURPOSES ONLY

top-view:

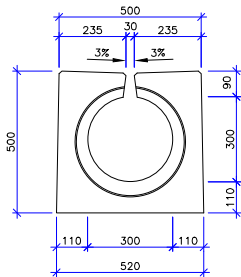


PROFIL	side-view "b" groove	side-view "a"	side-view "c" tongue	slope
II-1-T30/30				without internal-slope

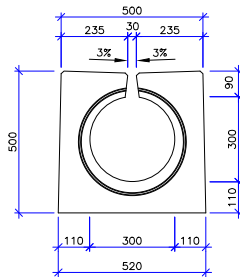
cleaning element "base" with grate, II-1-C0



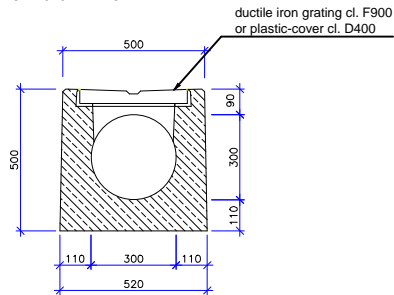
side-view "a" M 1:5



side-view "b" M 1:5



section: b-b' M 1:5



ADDRESS: ALTHON LIMITED
VULCAN ROAD SOUTH
NORWICH
NR6 6AF

TEL: 01603 488700
FAX: 01603 488598
EMAIL: sales@althon.co.uk
WEBSITE: www.althon.co.uk

DRAWING TITLE:

**BG Slot Chanel
II - 1, DN 30x30**

SCALE: NTS PAPER: A4 DATE: 27 - 08 - 15

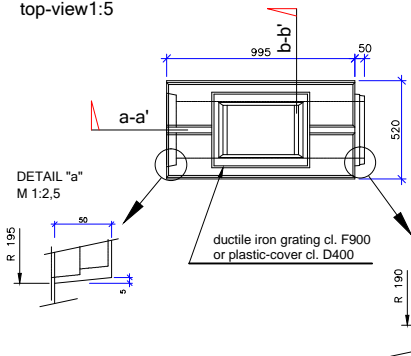
DRAWING No:

2 OF 4

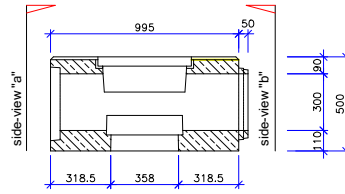
DRAWING FOR ILLUSTRATION PURPOSES ONLY

sump unit "base" with grate, II-1-V0

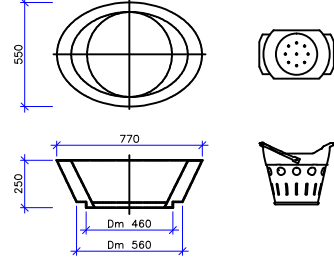
top-view 1:5



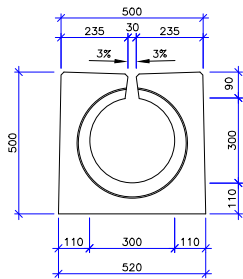
section: a-a' M 1:5



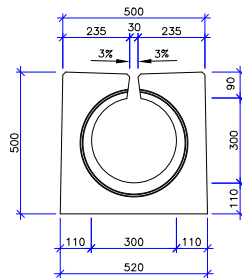
equipment: M 1:5
cone and silt bucket



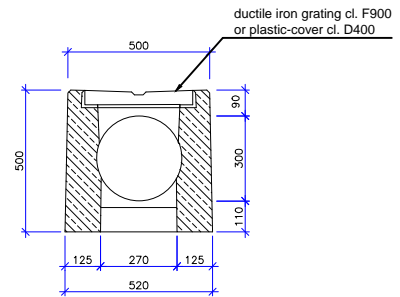
side-view "a" M 1:5



side-view "b" M 1:5

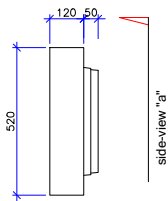


section: b-b' M 1:5

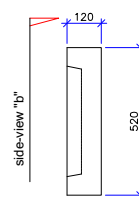


End-Platten end-cap

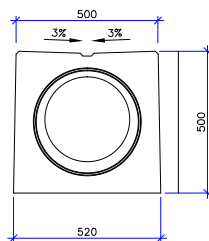
top-view 1:5



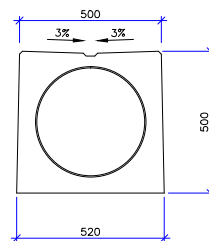
top-view 1:5



side-view "a" M 1:5



side-view "b" M 1:5



ADDRESS: ALTHON LIMITED
VULCAN ROAD SOUTH
NORWICH
NR6 6AF

TEL: 01603 488700
FAX: 01603 488598
EMAIL: sales@althon.co.uk
WEBSITE: www.althon.co.uk

DRAWING TITLE:

**BG Slot Chanel
II - 1, DN 30x30**

SCALE: NTS	PAPER: A4	DATE: 27 - 08 - 15
---------------	--------------	-----------------------

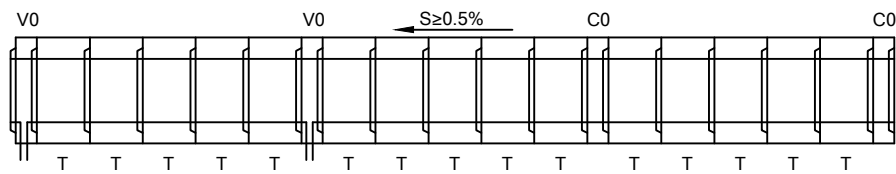
DRAWING No:

3 OF 4

DRAWING FOR ILLUSTRATION PURPOSES ONLY

layout-examples PROFIL II-1:

combination of slot-channels without internal-slope II-1-T:



Names of sump units and cleaning elements:

VO ... Gully "base" - tongue, groove
Clear height of the opening at both ends 300 mm
C0 ... Cleaning element "base" - spring groove
Clear height of the opening at both ends 300 mm
S = average ground slope



ADDRESS: ALTHON LIMITED
VULCAN ROAD SOUTH
NORWICH
NR6 6AF

TEL: 01603 488700
FAX: 01603 488598
EMAIL: sales@althon.co.uk
WEBSITE: www.althon.co.uk

DRAWING TITLE:

**BG Slot Chanel
II - 1, DN 30x30**

SCALE:	PAPER:	DATE:
NTS	A4	27 - 08 - 15

DRAWING No:

4 OF 4

DRAWING FOR ILLUSTRATION PURPOSES ONLY