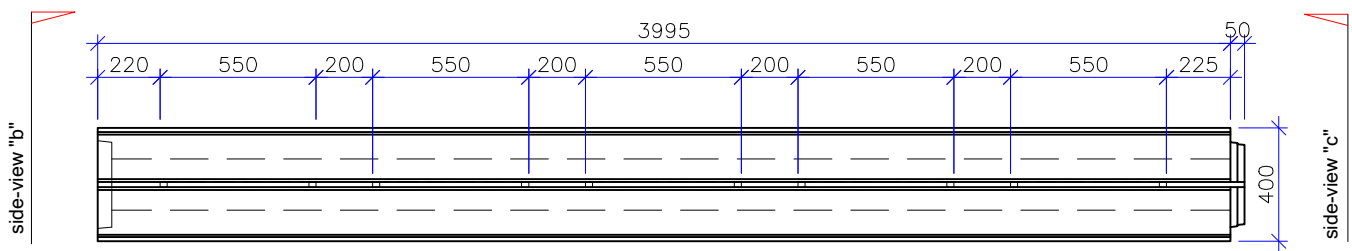


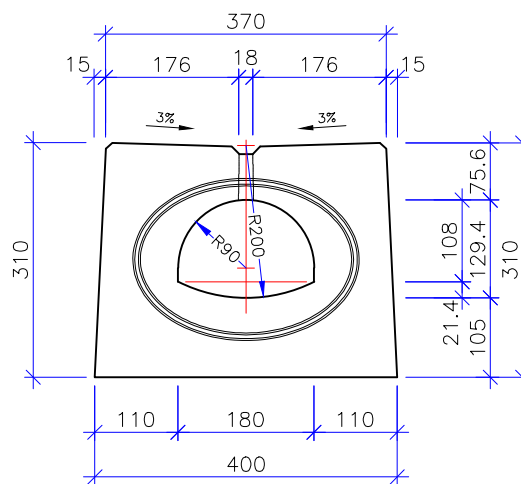
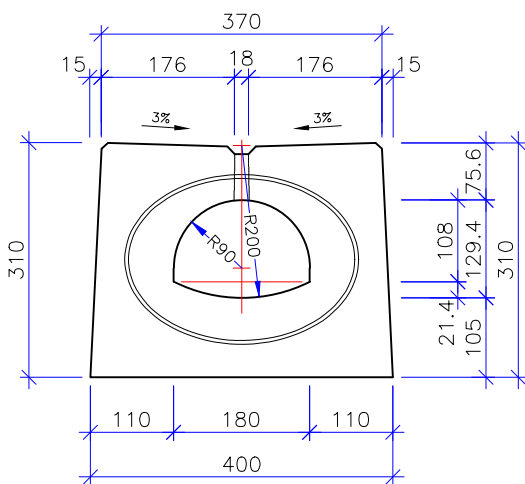
# Althon-slot-channel PROFIL T-1, DN18x13

load-classes:	D400kN
height:	310 mm
length:	4.000 mm
width:	400/370 mm
slot-width/length:	18/500 mm
size of profile DN:	180x130 mm
area of current profile:	184 cm <sup>2</sup>
inlet cross section:	112,5 cm <sup>2</sup> /m
weight base-channel:	995 kg/Stk.(pcs.)



side view groove

side view tongue



ADDRESS: ALTHON LIMITED  
VULCAN ROAD SOUTH  
NORWICH  
NR6 6AF

TEL: 01603 488700  
FAX: 01603 488598  
EMAIL: sales@althon.co.uk  
WEBSITE: www.althon.co.uk

DRAWING TITLE:

**BG Slot Chanel  
T - 1, DN 18x13**

SCALE: NTS PAPER: A4 DATE: 26 - 08 - 15

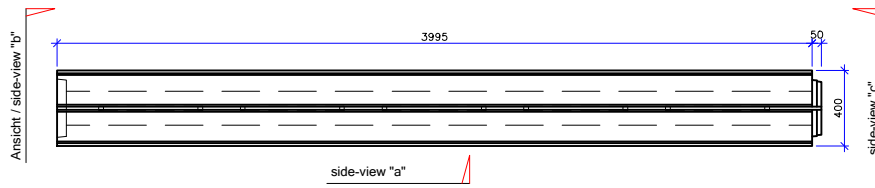
DRAWING No:

1 OF 4

DRAWING FOR ILLUSTRATION PURPOSES ONLY

# ALTHON PROFIL T-1

top-view:

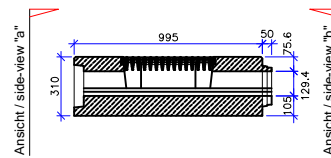
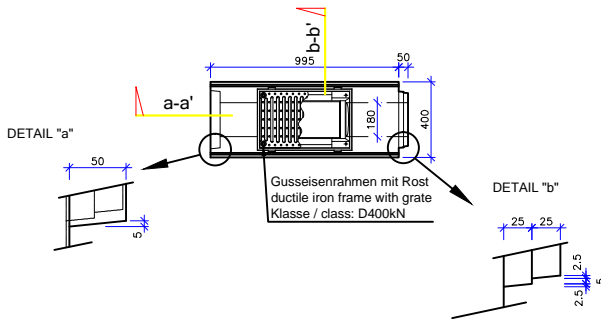


PROFIL	side-view "b" groove	side-view "a"	side-view "c" tongue	slope
T-1-T13/13				without internal-slope

## cleaning element "base" with grate, T-1-C0

plan 1:5

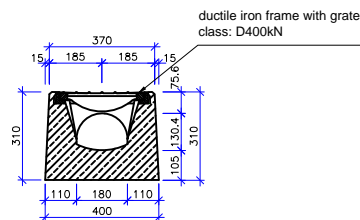
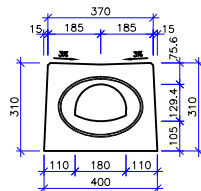
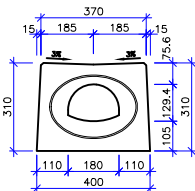
section: a-a' M 1:5



side-view "a"

side-view "b"

section: b-b'



ADDRESS: ALTHON LIMITED  
VULCAN ROAD SOUTH  
NORWICH  
NR6 6AF

TEL: 01603 488700  
FAX: 01603 488598  
EMAIL: sales@althon.co.uk  
WEBSITE: www.althon.co.uk

DRAWING TITLE:

**BG Slot Chanel  
T - 1, DN 18x13**

protected industrial design

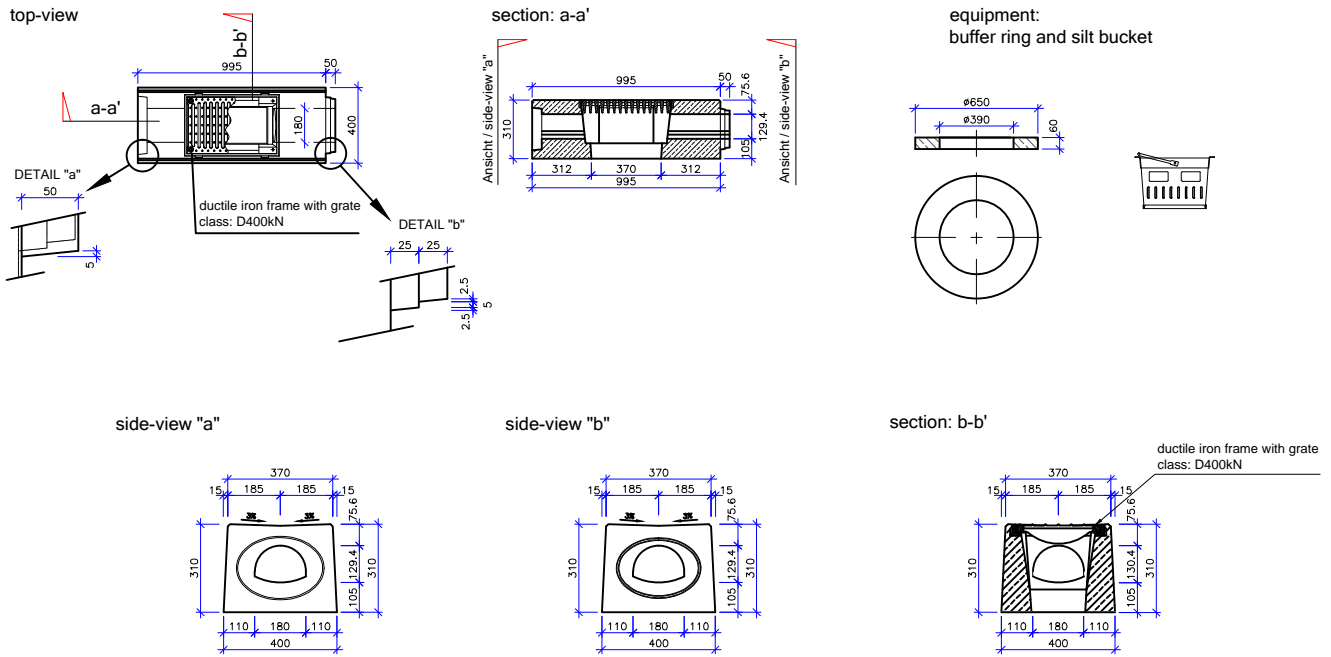
SCALE: NTS PAPER: A4 DATE: 26 - 08 - 15

DRAWING No:

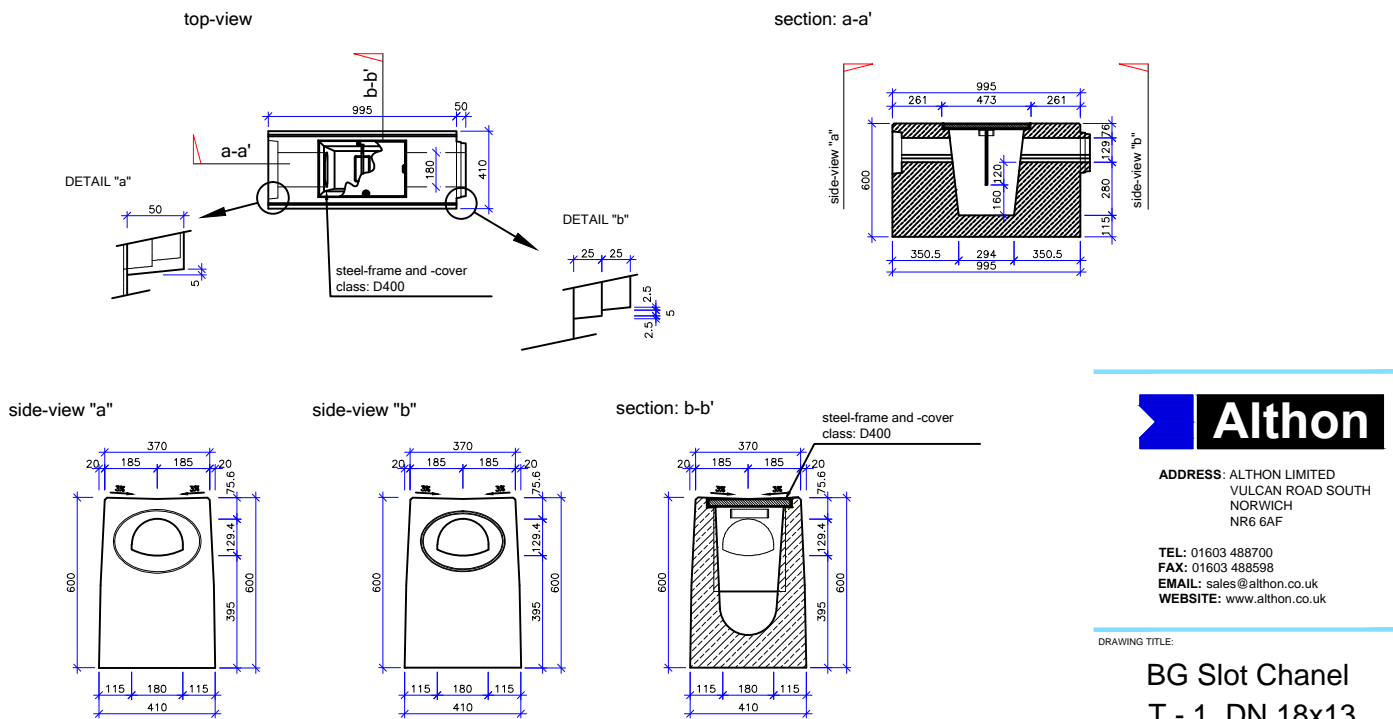
2 OF 4

DRAWING FOR ILLUSTRATION PURPOSES ONLY

## sump unit "base" with grate, T-1-V0



## syphon, fire protection unit, T-1-S



ADDRESS: ALTHON LIMITED  
VULCAN ROAD SOUTH  
NORWICH  
NR6 6AF

TEL: 01603 488700  
FAX: 01603 488598  
EMAIL: sales@althon.co.uk  
WEBSITE: www.althon.co.uk

DRAWING TITLE:

**BG Slot Chanel**  
**T - 1, DN 18x13**

SCALE:	PAPER:	DATE:
NTS	A4	26 - 08 - 15

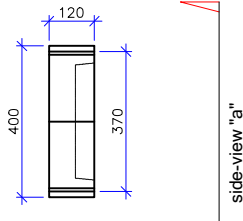
DRAWING No:

3 OF 4

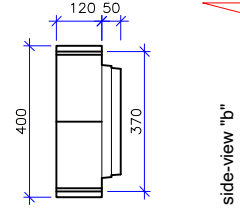
DRAWING FOR ILLUSTRATION PURPOSES ONLY

## front/end-cap

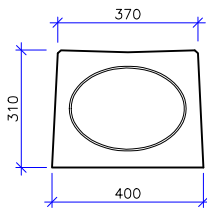
top-view



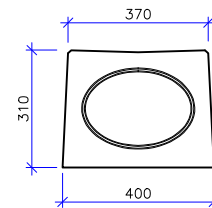
top-view



side-view "a"

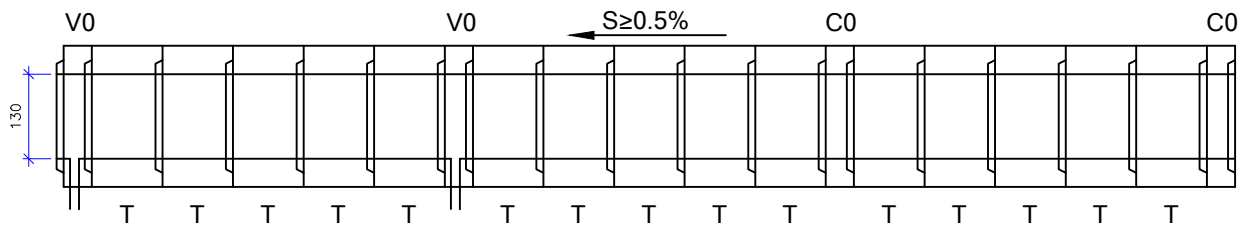


side-view "b"



## layout-examples PROFIL T-1:

combination of slot-channels without internal-slope T-1-T:



Names of sump units and cleaning elements:

VO ... Gully "base" - tongue, groove  
 Clear height of the opening at both ends 130 mm  
 CO ... Cleaning element "base" - spring groove  
 Clear height of the opening at both ends 130 mm  
 s = average ground slope



ADDRESS: ALTHON LIMITED  
 VULCAN ROAD SOUTH  
 NORWICH  
 NR6 6AF

TEL: 01603 488700  
 FAX: 01603 488598  
 EMAIL: sales@althon.co.uk  
 WEBSITE: www.althon.co.uk

DRAWING TITLE:

**BG Slot Chanel**  
**T - 1, DN 18x13**

SCALE:	PAPER:	DATE:
NTS	A4	26 - 08 - 15

DRAWING No:

4 OF 4

DRAWING FOR ILLUSTRATION PURPOSES ONLY