

ALTHON SFA10B HEADWALL

SFA10B Specification Information

- Opening in back wall cast to suit outside diameter of the pipework
- Invert level of pipe can be set to your specification
- There is a 50mm fall from the back wall of the headwall to the front of the spillway
- SFA10B suitable for pipework up to 450mm ID Plastic or C/ware and 375mm ID PCC with or without a Sewers for Adoption compliant grating

Althon SFA10B Headwall Installation

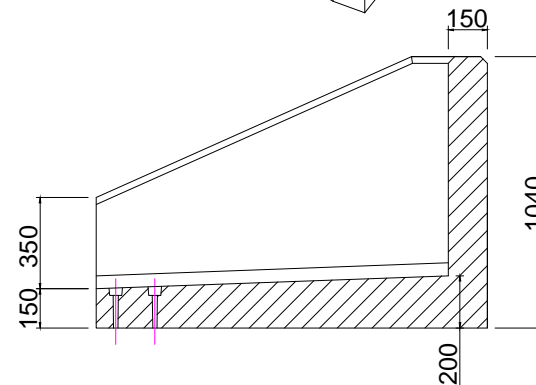
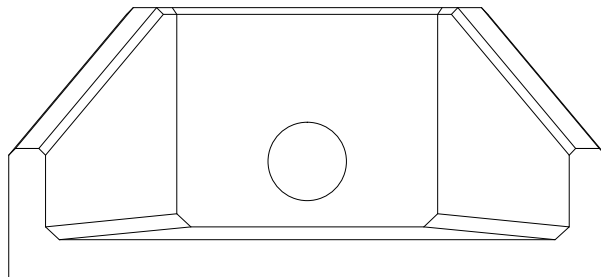
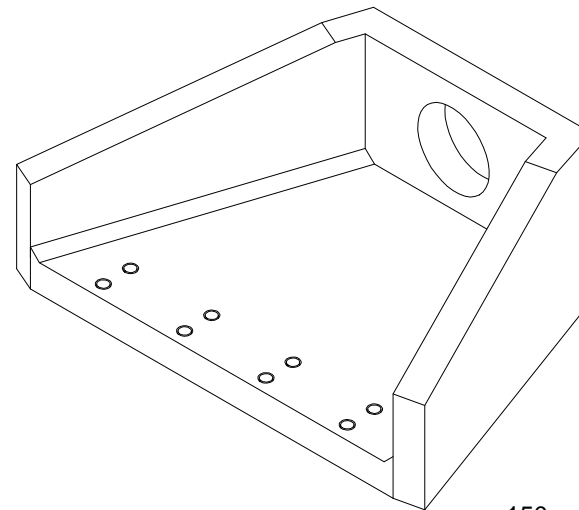
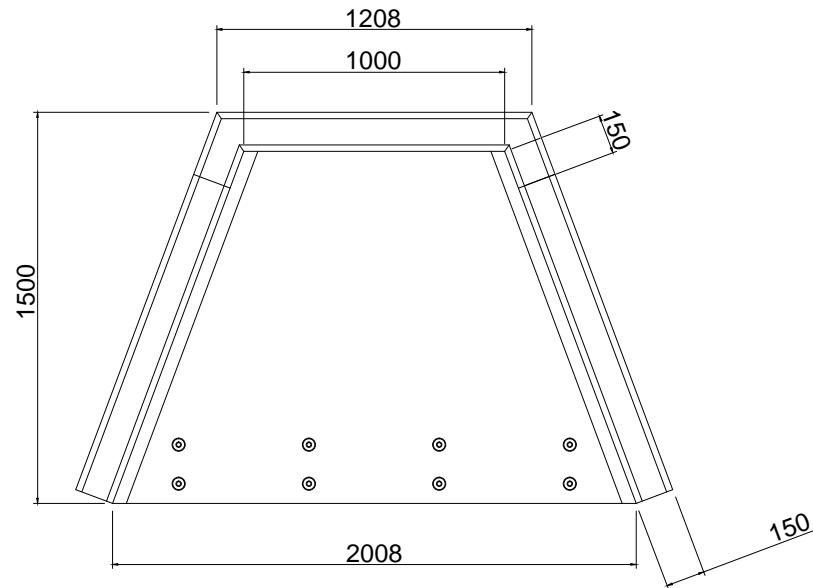
Units should be bedded on minimum 100mm of semi-dry concrete.

For full detailed installation instructions contact Althon Ltd,
01603 488700

Material: Reinforced concrete

Weight approximately 2140kg

All dimensions in mm



ADDRESS: ALTHON LIMITED
VULCAN ROAD SOUTH
NORWICH
NR6 6AF

TEL: 01603 488700
FAX: 01603 488598
EMAIL: sales@althon.co.uk
WEBSITE: www.althon.co.uk

DRAWING TITLE:

SFA10B HEADWALL

SCALE:	PAPER:	DATE:
NTS	A1	01 - 10 - 15

DRAWING No: SFA10B