



## RSFA Precast Concrete Headwalls





## Index

Althon Precast Concrete Headwalls Overview	02
SFA Outfall Safety Grilles	03
RSFA11 Headwall Range	04
RSFA12 Headwall Range	05 - 06
RSFA18A Headwall Range	07 - 08
RSFA18A Left Hand Angled Headwall Range	09 - 10
RSFA18A Right Hand Angled Headwall Range	11 - 12
RSFA18B Headwall Range	13 - 14
RSFA18B Left Hand Angled Headwall Range	15 - 16
RSFA18B Right Hand Angled Headwall Range	17 - 18
RSFA20B Headwall Range	19 - 20
RSFA20B Left Hand Angled Headwall Range	21 - 22
RSFA20B Right Hand Angled Headwall Range	23 - 24
Accessories	25 - 26

## Althon Precast Concrete Headwalls

Althon Headwalls offer a cost effective alternative to in-situ structures for connecting pipework discharging into open watercourse. All drainage pipes discharging into open watercourse, such as swales, ditches, ponds and rivers should be fitted with a suitable headwall. These units help to protect and locate outfall pipes and to minimise erosion at the point of discharge. Althon headwalls can accommodate pipework with an internal diameter of up to and including 1650mm ID and PCC box culverts up to 2400mm wide x 1500mm deep. Multiple pipe outlets can also be accommodated.

Headwall units can be fitted with or supplied with a range of accessories such as flap valves, penstocks, grates, hand railing etc.

Wherever water is to be fed from an open watercourse into a pipe outlet, an Althon Silt Trap Inlet should be provided. The sloped grating minimises the risk of blockage from floating material, and silt will be collected by the silt chamber prior to the outfall pipe. Althon manufacture a range of Silt Trap Inlets to cater for pipework with an internal diameter of up to and including 1200mm.

Althon Headwalls and Silt Traps have been used on contracts requiring approval from organisations such as the Environment Agency, Local Authorities and the Highways Agency. Althon Headwalls and Silt Traps are quick and simple to install and reduce the need for skilled labour.

Please note when reviewing this information openings shown on illustrations for pipe entry are indicative only. See tables for maximum opening sizes.

If a Penstock or Flap Valve is to be fitted to the Headwall, the frame size will determine the maximum pipe diameter that can be accommodated - please contact the Althon Sales office for details.



Standard Precast Concrete Headwalls



Sewers for Adoption Headwalls



Rectangular Precast Headwalls



Angled Precast Headwalls



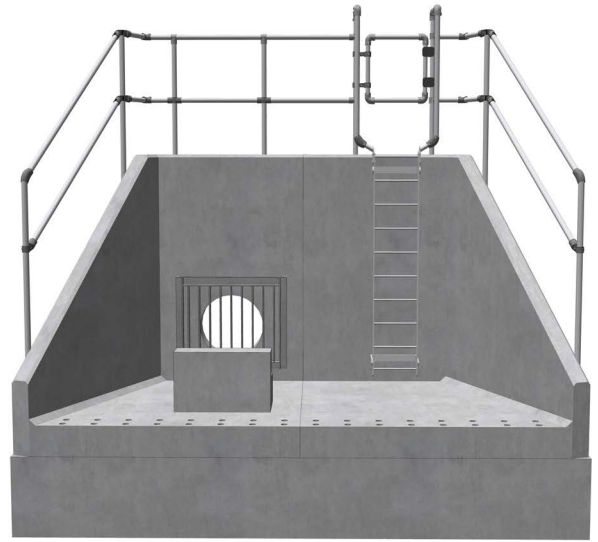
Precast Headwalls for Culverts

## SFA Outfall Safety Grilles

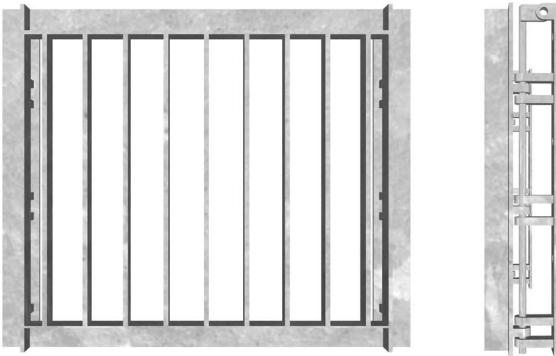
Althon manufacture a comprehensive range of trash screens, gratings and safety grilles. Our range includes SFA compliant gratings, pipe mounted gratings, cage, cranked and sloped trash screens as well as raked trash screens and weed screens.

Our gratings and trash screens are available in galvanised steel as well as stainless steel. Althon gratings and trash screens can be pre-fitted to our precast headwall units, to in-situ headwalls or supplied as standalone items.

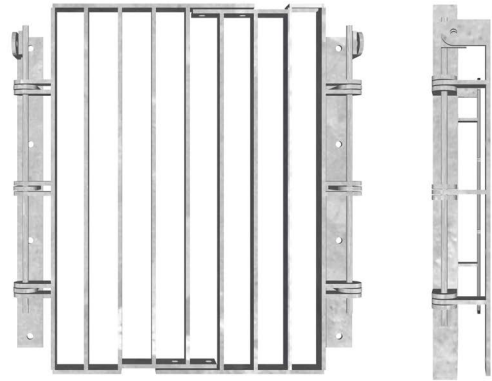
The Sewers for Adoption and Sewers for Scotland guidelines for gratings and trash screens call for an outfall safety grille to be fitted to any headwall with a pipe opening of 350mm or greater. The guidelines specify that the grille must be a minimum of 270mm wider than the outside diameter of the pipe, have bars at 100mm spacing, be hinged and have a padlock facility.



Standard gratings and trash screens are hot dip galvanised to BS EN 1461 after fabrication but are all available in Stainless Steel if required.



SFA 1 Outfall Safety Grille



SFA 2 Outfall Safety Grille



SFA 3 Outfall Safety Grille



SFA 4 Outfall Safety Grille



SFA 5 Outfall Safety Grille

# RSFA11 Headwall Range

Up to 400mm Pipework  
775mm Backwall Height



RSFA11A



RSFA11F

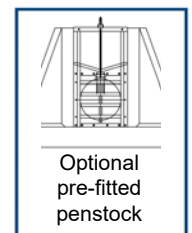
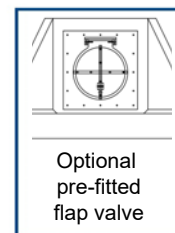
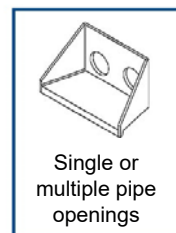
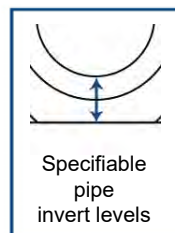
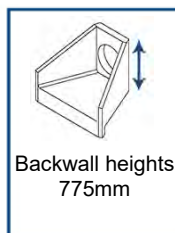
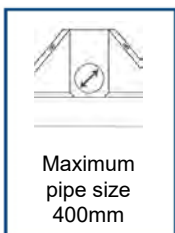
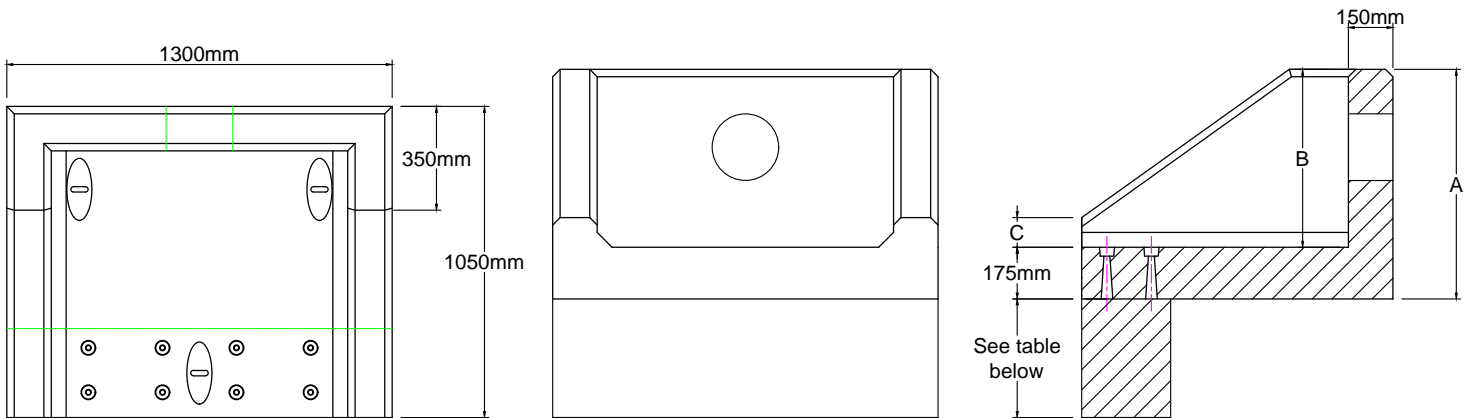
Optional Kee Klamp handrail

The RSFA11 Headwall is a single piece structure available with a wing wall profile of (A) 1:1.35 or (F) Horizontal. It has an internal back wall height of 600mm, suitable for pipes with a maximum internal diameter of 225mm and supplied with a separate toe beam.

There are two thicknesses of toe beam available each in three depths to suit site conditions.

The RSFA11 Headwall is in accordance with Severn Trent Water Drawing No STD6001 Rev 02

Headwall Ref	A	B	C	Approx Weight kg	Weight with 300mm thick toe kg			Weight with 500mm thick toe kg			Max Pipe Opening	Max Pipe Opening	Max Pipe Opening	Max Pipe Opening	Max Pipe Opening	Max Pipe Opening
					400mm	650mm	950mm	500mm	750mm	1000mm						
	mm	mm	mm													
RSFA11A	775	600	100	1120	1495	1730	2010	1900	2290	2680	400	375	300	300	225	N/A
RSFA11F	775	600	600	1245	1620	1855	2135	2025	2415	2805	400	375	300	300	225	N/A





RSFA12A

RSFA12D

## RSFA12 Headwall Range

Up to 400mm Pipework  
775mm Backwall Height

The RSFA12 Headwall is a single piece structure available with a wing wall profile of (A) 1:2.85 or (F) Horizontal. It has an internal back wall height of 600mm, suitable for pipes with a maximum internal diameter of 225mm and supplied with a separate toe beam.

There are two thicknesses of toe beam available each in three depths to suit site conditions.

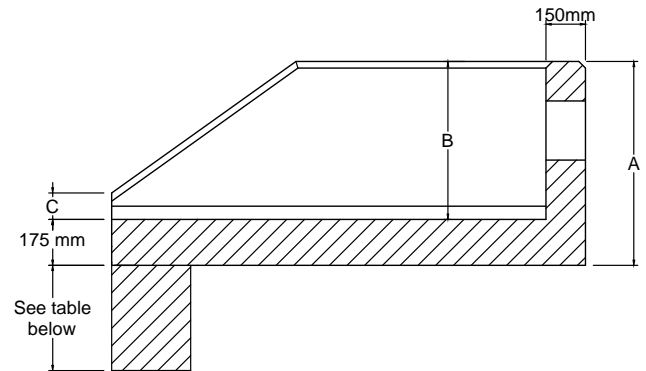
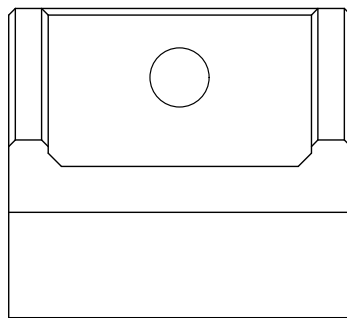
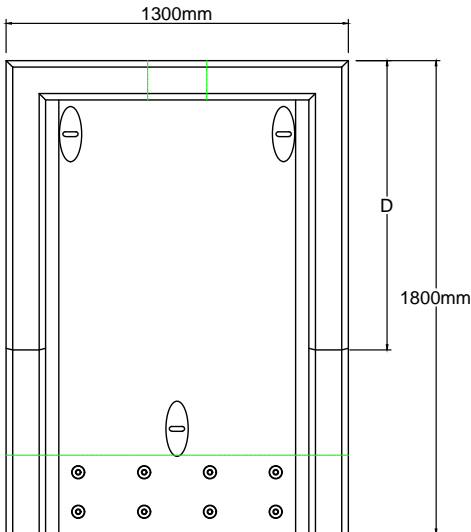
The RSFA12 Headwall is in accordance with Severn Trent Water Drawing No STD6001 Rev 02



RSFA12F

Optional Kee Klamp handrail

Headwall Ref	A	B	C	D	Approx Weight kg	Weight with 300mm thick toe kg			Weight with 500mm thick toe kg			Max Pipe Opening mm	Max Pipe Opening mm	Max Pipe Opening mm	Max Pipe Opening mm	Max Pipe Opening mm	Max Pipe Opening mm
						400mm	650mm	950mm	500mm	750mm	1000mm						
	mm	mm	mm	mm													
RSFA12A	775	600	100	350	1715	2090	2325	2605	2495	2885	3275	400	375	300	300	225	N/A
RSFA12D	775	600	100	1100	1855	2230	2465	2745	2635	3025	3415	400	375	300	300	225	N/A
RSFA12F	775	600	600	1800	1980	2355	2590	2870	2760	3150	3540	400	375	300	300	225	N/A



Maximum pipe size 400mm

Backwall heights 775mm

Specifiable pipe invert levels

Single or multiple pipe openings

Optional pre-fitted grating

Optional pre-fitted flap valve

Optional pre-fitted penstock

# RSFA12 Angled Headwall Range

Up to 400mm Pipework  
775mm Backwall Height

The RSFA12 Headwall is a single piece structure available with a wing wall profile of (A) 1:2.85 or (F) Horizontal. It has an internal back wall height of 600mm, suitable for pipes with a maximum internal diameter of 225mm and supplied with a separate toe beam.

There are two thicknesses of toe beam available each in three depths to suit site conditions.

The RSFA12 Headwall is in accordance with Severn Trent Water Drawing No STD6001 Rev 02



RSFA12A LH



RSFA12A RH

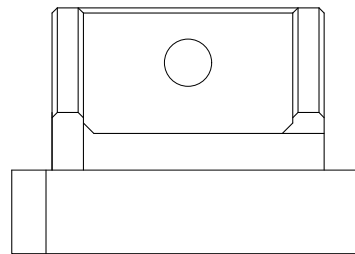
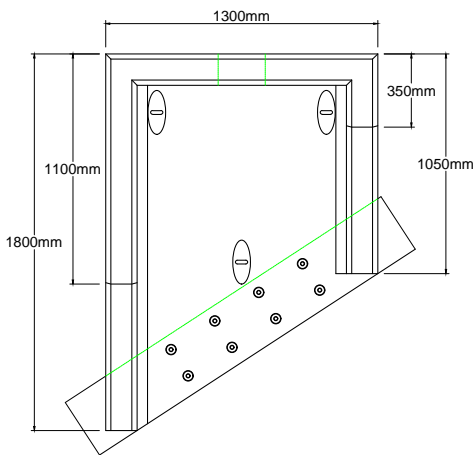


RSFA12F RH

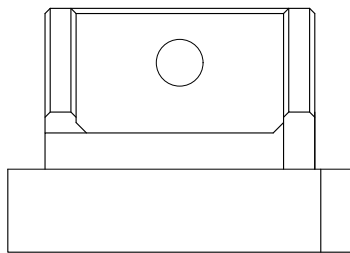
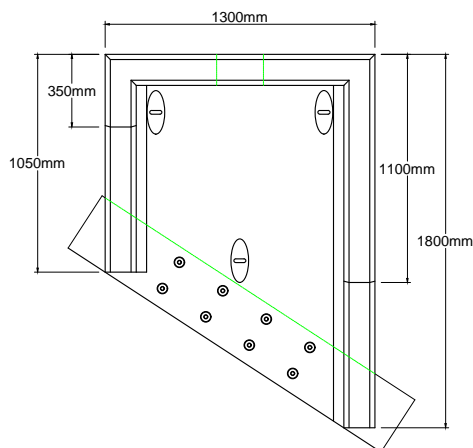
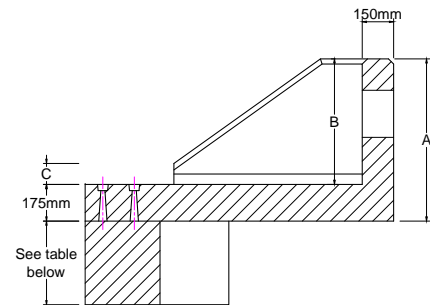


RSFA12F LH

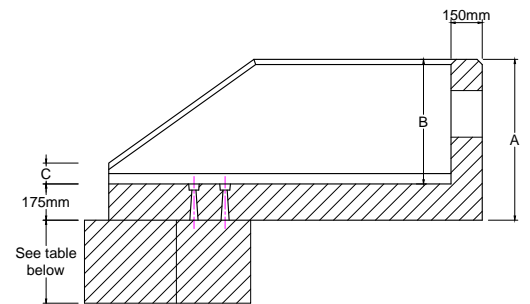
Headwall Ref	A	B	C	Approx Weight kg	Weight with 300mm thick toe			Weight with 500mm thick toe			Max Pipe Opening	Max Pipe Opening	Max Pipe Opening	Max Pipe Opening	Max Pipe Opening	Max Pipe Opening
					400mm	650mm	950mm	500mm	750mm	1000mm						
	mm	mm	mm								mm	mm	mm	mm	mm	mm
RSFA12A LH	775	600	100	1530	2000	2295	2645	2610	3150	3690	400	375	300	300	225	N/A
RSFA12A RH	775	600	100	1530	2000	2295	2645	2610	3150	3690	400	375	300	300	225	N/A
RSFA12F LH	775	600	600	1650	2120	2415	2765	2730	3270	3810	400	375	300	300	225	N/A
RSFA12F RH	775	600	600	1650	2120	2415	2765	2730	3270	3810	400	375	300	300	225	N/A



Left Hand Headwall



Right Hand Headwall





## RSFA18A Headwall Range

Up to 450mm Pipework  
1080mm Backwall Height

300 and 500mm Thick Toe

The RSFA18A Headwalls are a single piece structure with a wing wall profile of 1:1, 1:2 or 1:3 an internal back wall height of 880mm, suitable for pipes with a maximum internal diameter of 450mm and supplied with a separate toe beam.

Sewers for Adoption Guidelines call for an Outfall Safety Grille to be fitted to all openings 350mm and above. The RSFA18A back wall allows room for an SFA Compliant Outfall Safety Grille to be fitted along with an access ladder, Kee Klamp® Size 8 GMS Handrail is also fitted to the back wall and the horizontal section of the wing walls with a self-closing gate above the access ladder.

The RSFA18A Headwalls are available in one length; there are two thicknesses of toe beam available each in three depths to suit site conditions.

The RSFA18A Headwalls are in accordance with Severn Trent Water Drawing No STD6002 Rev 02



RSFA18A 01 1150  
1:1 Wing Wall



RSFA18A 01 1810  
1:1 Wing Wall



RSFA18A 01 2270  
1:1 Wing Wall



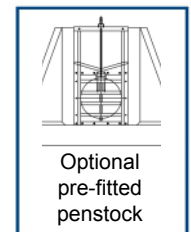
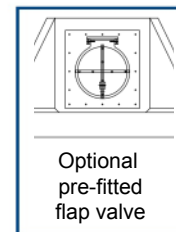
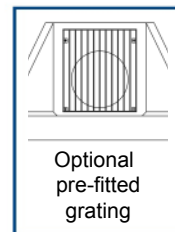
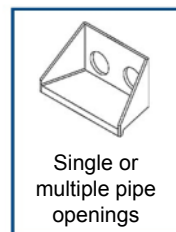
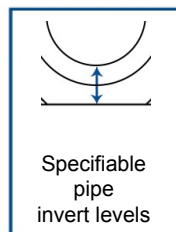
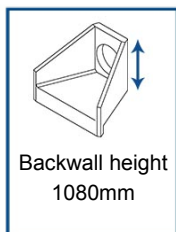
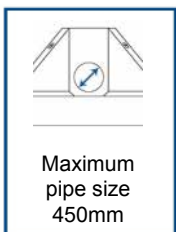
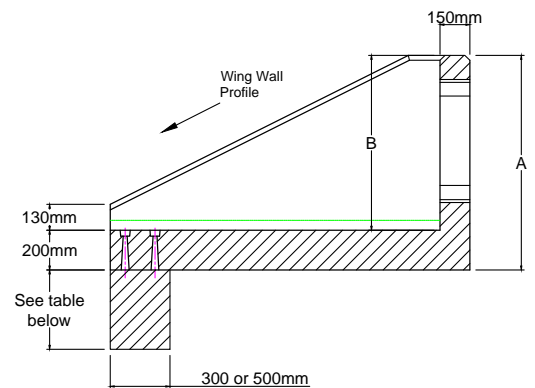
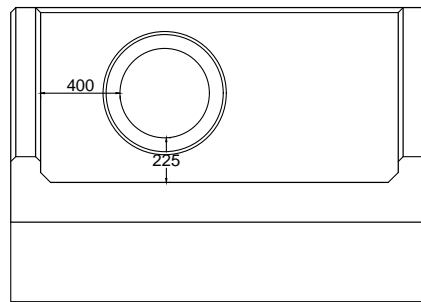
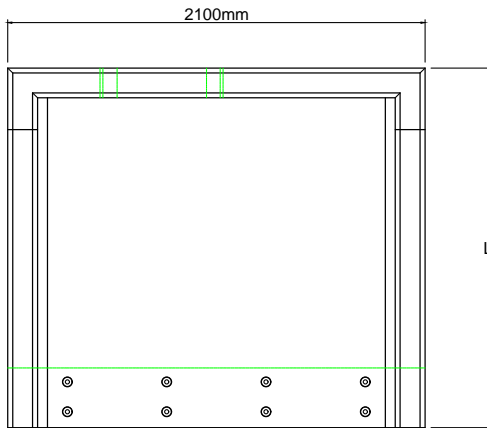
RSFA18A 05 1810  
1:2 Wing Wall



RSFA18A 05 2330  
1:2 Wing Wall



RSFA18A 10 2450  
1:3 Wing Wall

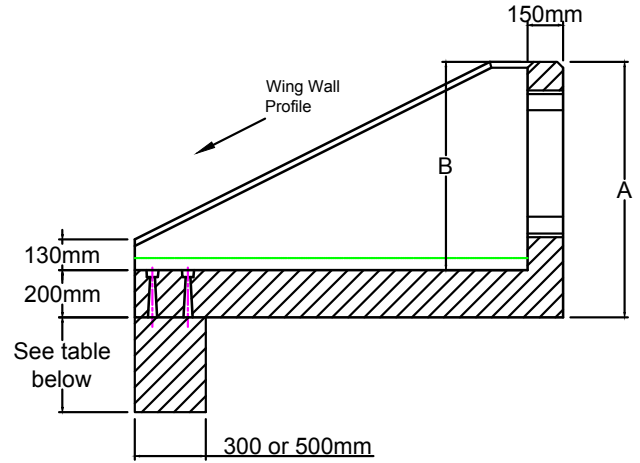




# RSFA18A Headwall Range

Up to 450mm Pipework  
1080mm Backwall Height

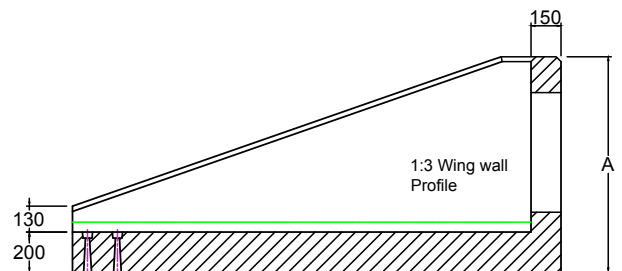
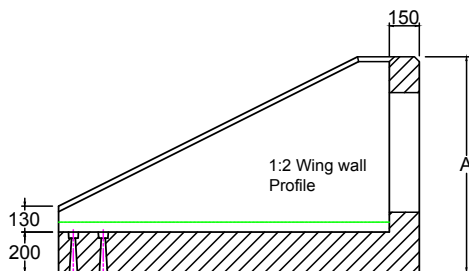
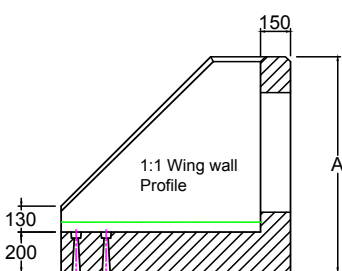
300mm Thick Toe



Headwall Ref	Back Wall Height A	Back Wall Height B	Length L	Wing Wall Profile	Weight	Weight with Toe			Max Pipe Opening	Max Pipe Opening	Max Pipe Opening	Max Pipe Opening	Available with Baffle Blocks
						400mm	650mm	950mm					
									With SFA Grating	Without Grating			
									TW / Clay	Concrete	TW / Clay	Concrete	
	mm	mm	mm		kg	kg	kg	kg	mm	mm	mm	mm	
RSFA18A 01 1150	1080	880	1150	1:1	2250	2850	3230	3680	450	450	450	450	No
RSFA18A 01 1810	1080	880	1810	1:1	3330	3930	4310	4760	450	450	450	450	Yes
RSFA18A 01 2270	1080	880	2270	1:1	4100	4700	5080	5530	450	450	450	450	Yes
RSFA18A 05 1810	1080	880	1810	1:2	3120	3720	4100	4550	450	450	450	450	No
RSFA18A 05 2330	1080	880	2330	1:2	3950	4550	4930	5380	450	450	450	450	Yes
RSFA18A 10 2450	1080	880	2450	1:3	4000	4600	4980	5430	450	450	450	450	Yes

## 500mm Thick Toe

Headwall Ref	Back Wall Height A	Back Wall Height B	Length L	Wing Wall Profile	Weight	Weight with Toe			Max Pipe Opening	Max Pipe Opening	Max Pipe Opening	Max Pipe Opening	Available with Baffle Blocks
						500mm	750mm	1000mm					
									With SFA Grating	Without Grating			
									TW / Clay	Concrete	TW / Clay	Concrete	
	mm	mm	mm		kg	kg	kg	kg	mm	mm	mm	mm	
RSFA18A 01 1150	1080	880	1150	1:1	2250	3510	4140	4770	450	450	450	450	No
RSFA18A 01 1810	1080	880	1810	1:1	3330	4590	5220	5850	450	450	450	450	Yes
RSFA18A 01 2270	1080	880	2270	1:1	4100	5360	5990	6620	450	450	450	450	Yes
RSFA18A 05 1810	1080	880	1810	1:2	3120	4380	5010	5640	450	450	450	450	No
RSFA18A 05 2330	1080	880	2330	1:2	3950	5210	5840	6470	450	450	450	450	Yes
RSFA18A 10 2450	1080	880	2450	1:3	4000	5260	5890	6520	450	450	450	450	Yes





# RSFA18A Left Hand Angled Headwall Range

Up to 450mm Pipework  
1080mm Backwall Height

300 and 500mm Thick Toe

The RSFA18A Headwalls are a single piece structure with a wing wall profile of 1:1, 1:2 or 1:3 an internal back wall height of 880mm, suitable for pipes with a maximum internal diameter of 450mm and supplied with a separate toe beam.

Sewers for Adoption Guidelines call for an Outfall Safety Grille to be fitted to all openings 350mm and above. The RSFA18A back wall allows room for an SFA Compliant Outfall Safety Grille to be fitted along with an access ladder, Kee Klamp® Size 8 GMS Handrail is also fitted to the back wall and the horizontal section of the wing walls with a self-closing gate above the access ladder.

The RSFA18A Headwalls are available in one length; there are two thicknesses of toe beam available each in three depths to suit site conditions. The RSFA18A Headwalls are in accordance with Severn Trent Water Drawing No STD6002 Rev 02



RSFA18A 01 2270 LH  
1:1 Wing Wall



RSFA18A 01 2940 LH  
1:1 Wing Wall



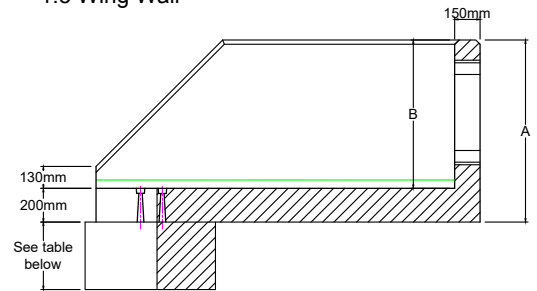
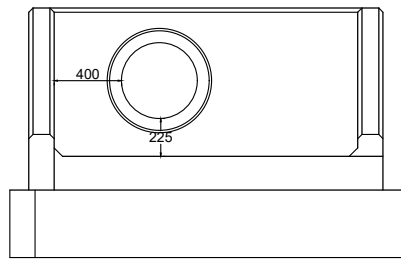
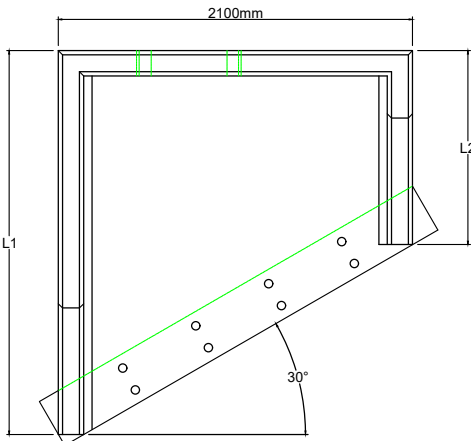
RSFA18A 05 2940 LH  
1:2 Wing Wall



RSFA18A 05 3210 LH  
1:2 Wing Wall



RSFA18A 10 3570 LH  
1:3 Wing Wall



Maximum pipe size 450mm

Backwall height 1080mm

Specifiable pipe invert levels

Single or multiple pipe openings

Optional pre-fitted grating

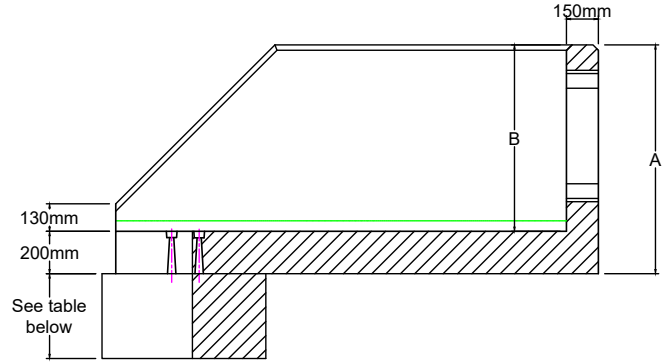
Optional pre-fitted flap valve

Optional pre-fitted penstock

# RSFA18A Left Hand Angled Headwall Range

Up to 450mm Pipework  
1080mm Backwall Height

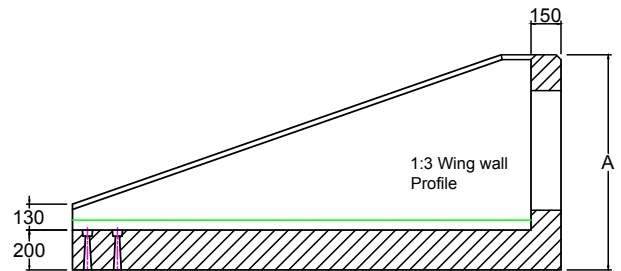
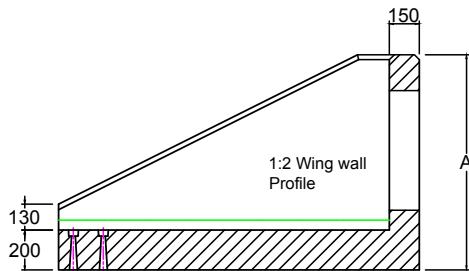
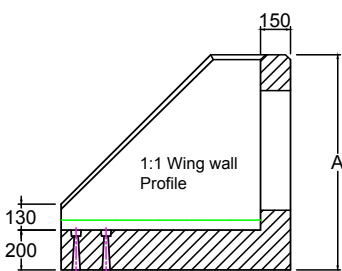
300mm Thick Toe



Headwall Ref	Back Wall Height A	Back Wall Height B	Length L1	Length L2	Wing Wall Profile	Weight	Weight with Toe			Max Pipe Opening		Max Pipe Opening		Available with Baffle Blocks
							400mm	650mm	950mm	With SFA Grating		Without Grating		
										TW / Clay	Concrete	TW / Clay	Concrete	
	mm	mm	mm	mm		kg	kg	kg	kg	mm	mm	mm	mm	
RSFA18A 01 2270 LH	1080	880	2276	1150	1:1	3210	3960	4420	4980	450	450	450	450	No
RSFA18A 01 2940 LH	1080	880	2946	1820	1:1	4290	5040	5500	6060	450	450	450	450	Yes
RSFA18A 05 2940 LH	1080	880	2946	1820	1:2	4080	4830	5290	5850	450	450	450	450	No
RSFA18A 05 3210 LH	1080	880	3216	2090	1:2	4500	5250	5710	6270	450	450	450	450	Yes
RSFA18A 10 3570 LH	1080	880	3576	2450	1:3	4950	5700	6160	6720	450	450	450	450	Yes

500mm Thick Toe

Headwall Ref	Back Wall Height A	Back Wall Height B	Length L1	Length L2	Wing Wall Profile	Weight	Weight with Toe			Max Pipe Opening		Max Pipe Opening		Available with Baffle Blocks
							500mm	750mm	1000mm	With SFA Grating		Without Grating		
										TW / Clay	Concrete	TW / Clay	Concrete	
	mm	mm	mm	mm		kg	kg	kg	kg	mm	mm	mm	mm	
RSFA18A 01 2270 LH	1080	880	2276	1150	1:1	3210	4830	5640	6450	450	450	450	450	No
RSFA18A 01 2940 LH	1080	880	2946	1820	1:1	4290	5910	6720	7530	450	450	450	450	Yes
RSFA18A 05 2940 LH	1080	880	2946	1820	1:2	4080	5700	6510	7320	450	450	450	450	No
RSFA18A 05 3210 LH	1080	880	3216	2090	1:2	4500	6120	6930	7740	450	450	450	450	Yes
RSFA18A 10 3570 LH	1080	880	3576	2450	1:3	4950	6570	7380	8190	450	450	450	450	Yes





# RSFA18A Right Hand Angled Headwall Range

Up to 450mm Pipework  
1080mm Backwall Height

300 and 500mm Thick Toe

The RSFA18A Headwalls are a single piece structure with a wing wall profile of 1:1, 1:2 or 1:3 an internal back wall height of 880mm, suitable for pipes with a maximum internal diameter of 450mm and supplied with a separate toe beam.

Sewers for Adoption Guidelines call for an Outfall Safety Grille to be fitted to all openings 350mm and above. The RSFA18A back wall allows room for an SFA Compliant Outfall Safety Grille to be fitted along with an access ladder, Kee Klamp® Size 8 GMS Handrail is also fitted to the back wall and the horizontal section of the wing walls with a self-closing gate above the access ladder.

The RSFA18A Headwalls are available in one length; there are two thicknesses of toe beam available each in three depths to suit site conditions. The RSFA18A Headwalls are in accordance with Severn Trent Water Drawing No STD6002 Rev 02



RSFA18A 01 2270 RH  
1:1 Wing Wall



RSFA18A 01 2940 RH  
1:1 Wing Wall



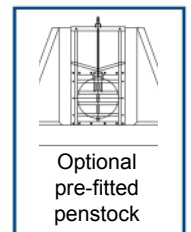
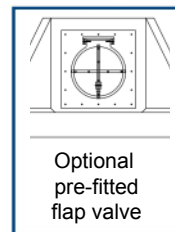
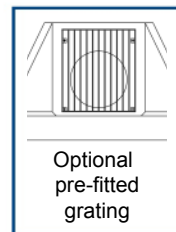
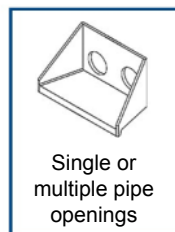
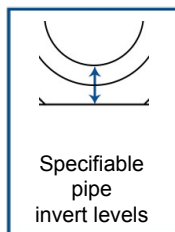
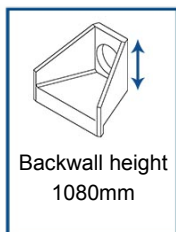
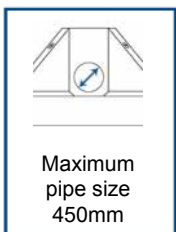
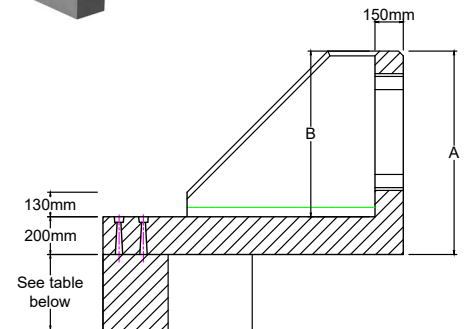
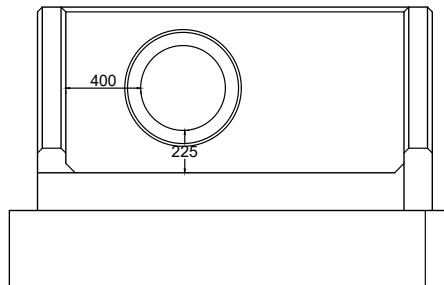
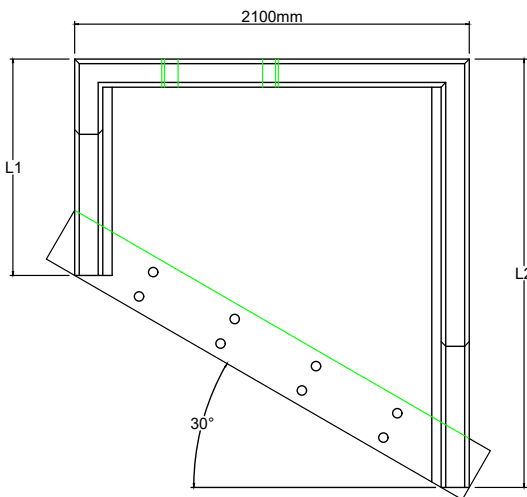
RSFA18A 05 2940 RH  
1:2 Wing Wall



RSFA18A 05 3210 RH  
1:2 Wing Wall



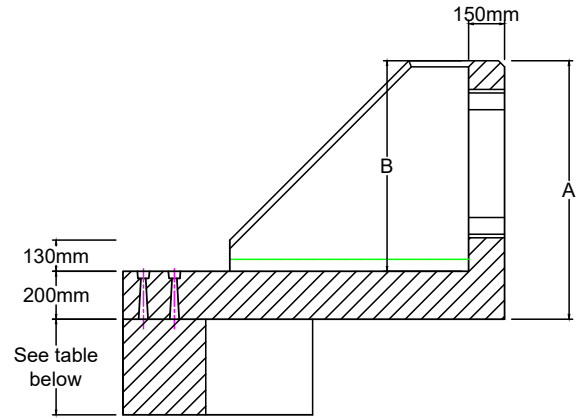
RSFA18A 10 3570 RH  
1:3 Wing Wall



# RSFA18A Right Hand Angled Headwall Range

Up to 450mm Pipework  
1080mm Backwall Height

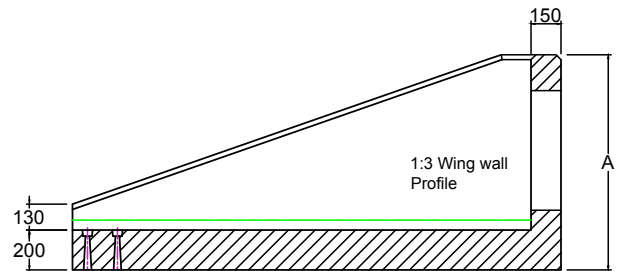
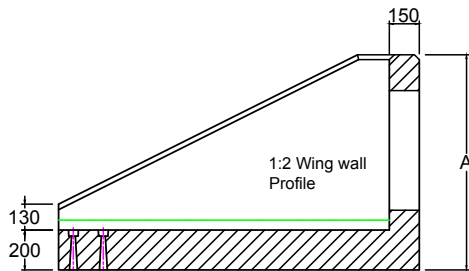
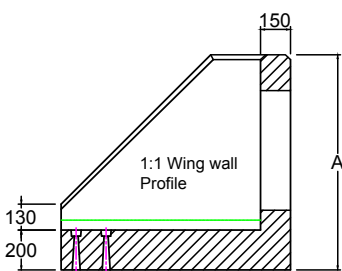
300mm Thick Toe



Headwall Ref	Back Wall Height A	Back Wall Height B	Length L1	Length L2	Wing Wall Profile	Weight	Weight with Toe			Max Pipe Opening	Max Pipe Opening	Max Pipe Opening	Max Pipe Opening	Available with Baffle Blocks
							400mm	650mm	950mm					
							With SFA Grating			Without Grating				
							TW / Clay	Concrete		TW / Clay	Concrete			
	mm	mm	mm	mm		kg	mm	mm	mm	mm	mm	mm		
RSFA18A 01 2270 RH	1080	880	2276	1150	1:1	3210	3960	4420	4980	450	450	450	450	No
RSFA18A 01 2940 RH	1080	880	2946	1820	1:1	4290	5040	5500	6060	450	450	450	450	Yes
RSFA18A 05 2940 RH	1080	880	2946	1820	1:2	4080	4830	5290	5850	450	450	450	450	No
RSFA18A 05 3210 RH	1080	880	3216	2090	1:2	4500	5250	5710	6270	450	450	450	450	Yes
RSFA18A 10 3570 RH	1080	880	3576	2450	1:3	4950	5700	6160	6720	450	450	450	450	Yes

500mm Thick Toe

Headwall Ref	Back Wall Height A	Back Wall Height B	Length L1	Length L2	Wing Wall Profile	Weight	Weight with Toe			Max Pipe Opening	Max Pipe Opening	Max Pipe Opening	Max Pipe Opening	Available with Baffle Blocks
							500mm	750mm	1000mm					
							With SFA Grating			Without Grating				
							TW / Clay	Concrete		TW / Clay	Concrete			
	mm	mm	mm	mm		kg	mm	mm	mm	mm	mm	mm		
RSFA18A 01 2270 RH	1080	880	2276	1150	1:1	3210	4830	5640	6450	450	450	450	450	No
RSFA18A 01 2940 RH	1080	880	2946	1820	1:1	4290	5910	6720	7530	450	450	450	450	Yes
RSFA18A 05 2940 RH	1080	880	2946	1820	1:2	4080	5700	6510	7320	450	450	450	450	No
RSFA18A 05 3210 RH	1080	880	3216	2090	1:2	4500	6120	6930	7740	450	450	450	450	Yes
RSFA18A 10 3570 RH	1080	880	3576	2450	1:3	4950	6570	7380	8190	450	450	450	450	Yes





## RSFA18B Headwall Range

Up to 450mm Pipework  
1300mm Backwall Height

300 and 500mm Thick Toe

The RSFA18B Headwalls are a single piece structure with a wing wall profile of 1:1, 1:2 or 1:3 an internal back wall height of 1100mm, suitable for pipes with a maximum internal diameter of 450mm and supplied with a separate toe beam.

Sewers for Adoption Guidelines call for an Outfall Safety Grille to be fitted to all openings 350mm and above. The RSFA18B back wall allows room for an SFA Compliant Outfall Safety Grille to be fitted along with an access ladder, Kee Klamp® Size 8 GMS Handrail is also fitted to the back wall and the horizontal section of the wing walls with a self-closing gate above the access ladder.

The RSFA18B Headwalls are available in one length; there are two thicknesses of toe beam available each in three depths to suit site conditions.

The RSFA18B Headwalls are in accordance with Severn Trent Water Drawing No STD6002 Rev 02



RSFA18B 01 1150  
1:1 Wing Wall

RSFA18B 01 1810  
1:1 Wing Wall

RSFA18B 01 2270  
1:1 Wing Wall



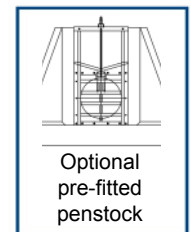
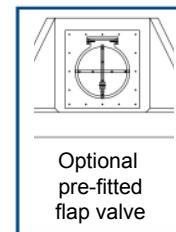
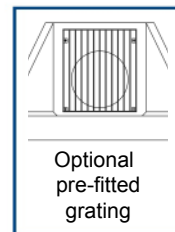
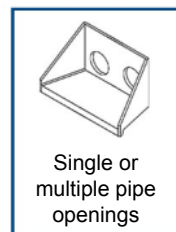
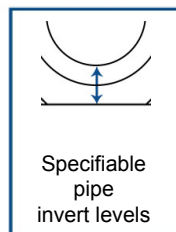
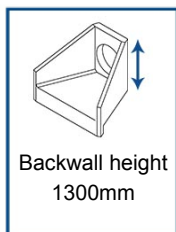
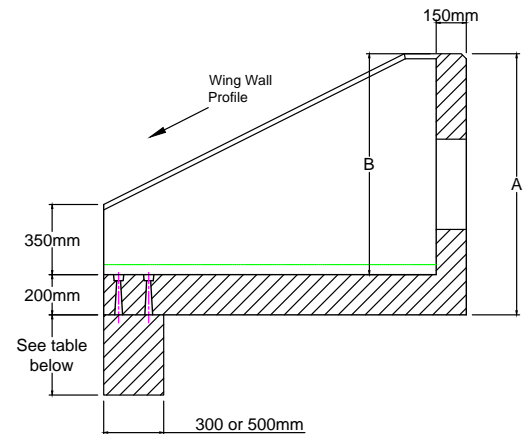
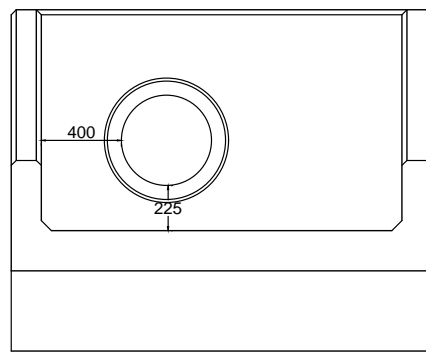
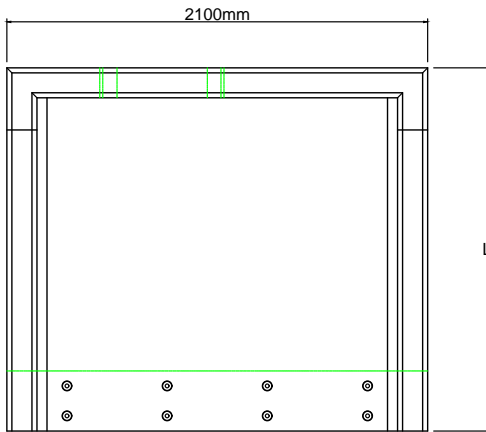
RSFA18B 05 1810  
1:2 Wing Wall



RSFA18B 05 2330  
1:2 Wing Wall



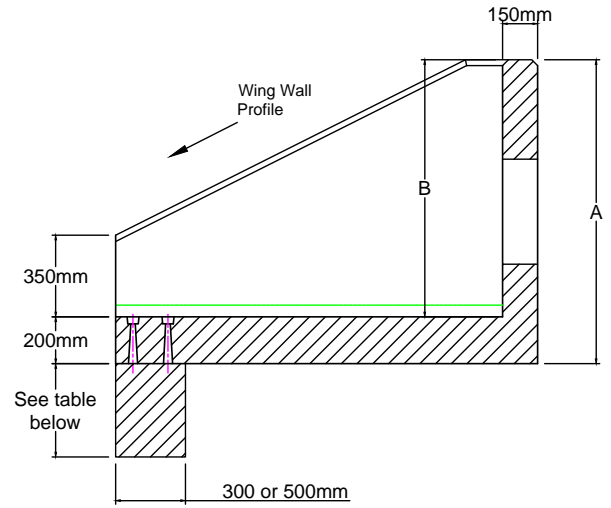
RSFA18B 10 2450  
1:3 Wing Wall



# RSFA18B Headwall Range

Up to 450mm Pipework  
1300mm Backwall Height

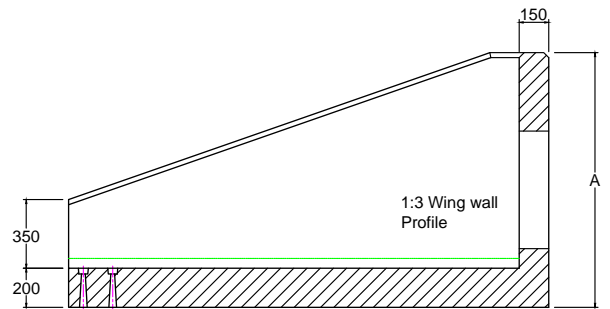
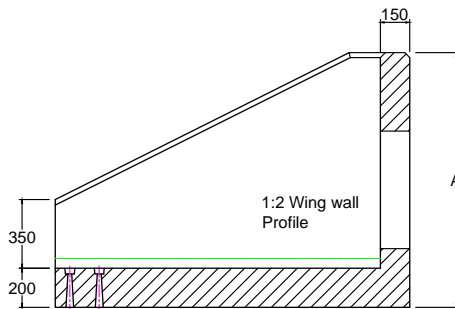
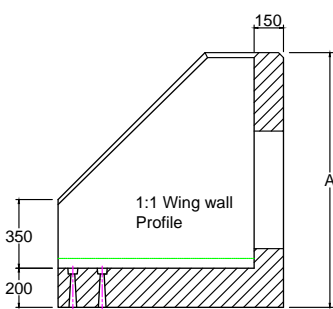
300mm Thick Toe



Headwall Ref	Back Wall Height A	Back Wall Height B	Length L	Wing Wall Profile	Weight	Weight with Toe			Max Pipe Opening	Max Pipe Opening	Max Pipe Opening	Max Pipe Opening	Available with Baffle Blocks
						400mm	650mm	950mm					
									With SFA Grating	Without Grating			
									TW / Clay	Concrete	TW / Clay	Concrete	
	mm	mm	mm		kg	kg	kg	kg	mm	mm	mm	mm	
RSFA18B 01 1150	1300	1100	1150	1:1	2580	3180	3560	4010	450	450	450	450	No
RSFA18B 01 1810	1300	1100	1810	1:1	3750	4350	4730	5180	450	450	450	450	Yes
RSFA18B 01 2270	1300	1100	2270	1:1	4580	5180	5560	6010	450	450	450	450	Yes
RSFA18B 05 1810	1300	1100	1810	1:2	3550	4150	4530	4980	450	450	450	450	No
RSFA18B 05 2330	1300	1100	2330	1:2	4500	5100	5480	5930	450	450	450	450	Yes
RSFA18B 10 2450	1300	1100	2450	1:3	4000	5100	5480	5930	450	450	450	450	Yes

## 500mm Thick Toe

Headwall Ref	Back Wall Height A	Back Wall Height B	Length L	Wing Wall Profile	Weight	Weight with Toe			Max Pipe Opening	Max Pipe Opening	Max Pipe Opening	Max Pipe Opening	Available with Baffle Blocks
						500mm	750mm	1000mm					
									With SFA Grating	Without Grating			
									TW / Clay	Concrete	TW / Clay	Concrete	
	mm	mm	mm		kg	kg	kg	kg	mm	mm	mm	mm	
RSFA18B 01 1150	1300	1100	1150	1:1	2580	3840	4470	5100	450	450	450	450	No
RSFA18B 01 1810	1300	1100	1810	1:1	3750	5010	5640	6270	450	450	450	450	Yes
RSFA18B 01 2270	1300	1100	2270	1:1	4580	5840	6470	7100	450	450	450	450	Yes
RSFA18B 05 1810	1300	1100	1810	1:2	3550	4810	5440	6070	450	450	450	450	No
RSFA18B 05 2330	1300	1100	2330	1:2	4500	5760	6390	7020	450	450	450	450	Yes
RSFA18B 10 2450	1300	1100	2450	1:3	4000	5760	6390	7020	450	450	450	450	Yes





# RSFA18B Left Hand Angled Headwall Range

Up to 450mm Pipework  
1300mm Backwall Height

300 and 500mm Thick Toe

The RSFA18B Headwalls are a single piece structure with a wing wall profile of 1:1, 1:2 or 1:3 an internal back wall height of 1100mm, suitable for pipes with a maximum internal diameter of 450mm and supplied with a separate toe beam.

Sewers for Adoption Guidelines call for an Outfall Safety Grille to be fitted to all openings 350mm and above. The RSFA18B back wall allows room for an SFA Compliant Outfall Safety Grille to be fitted along with an access ladder, Kee Klamp® Size 8 GMS Handrail is also fitted to the back wall and the horizontal section of the wing walls with a self-closing gate above the access ladder.

The RSFA18B Headwalls are available in one length; there are two thicknesses of toe beam available each in three depths to suit site conditions. The RSFA18B Headwalls are in accordance with Severn Trent Water Drawing No STD6002 Rev 02



RSFA18B 01 2270 LH  
1:1 Wing Wall



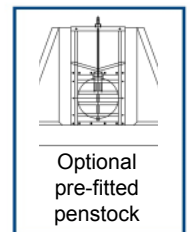
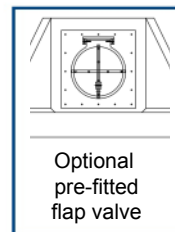
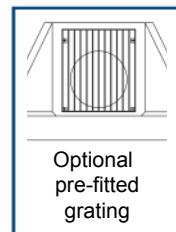
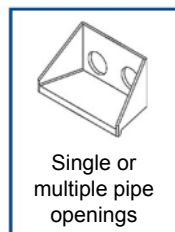
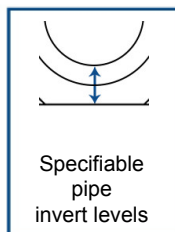
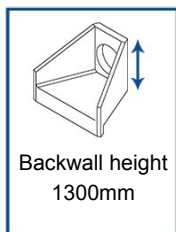
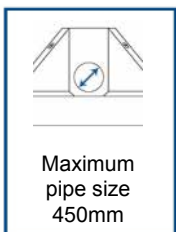
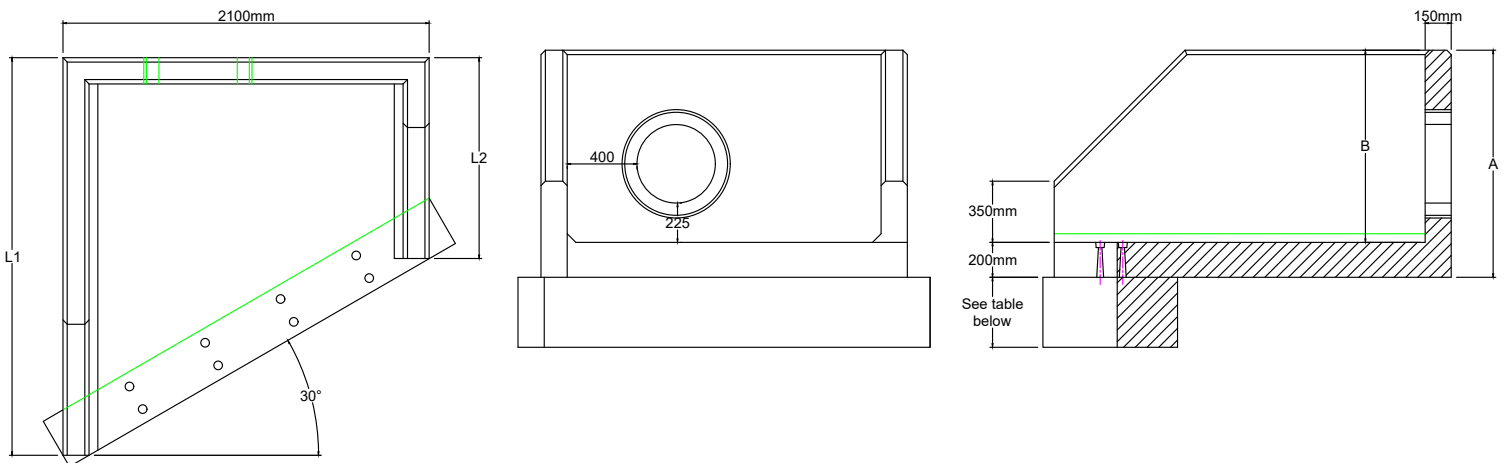
RSFA18B 01 2790 LH  
1:1 Wing Wall



RSFA18B 05 2940 LH  
1:2 Wing Wall



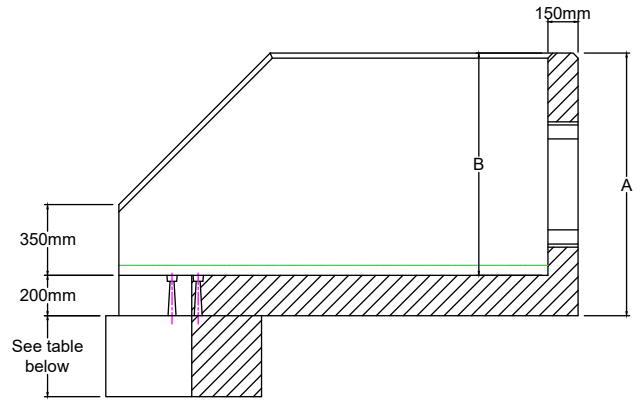
RSFA18B 10 3570 LH  
1:3 Wing Wall





# RSFA18B Left Hand Angled Headwall Range

Up to 450mm Pipework  
1300mm Backwall Height

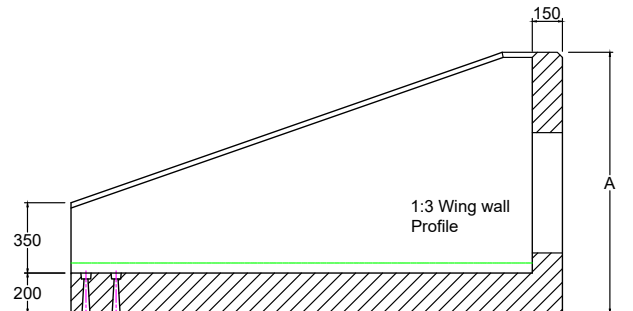
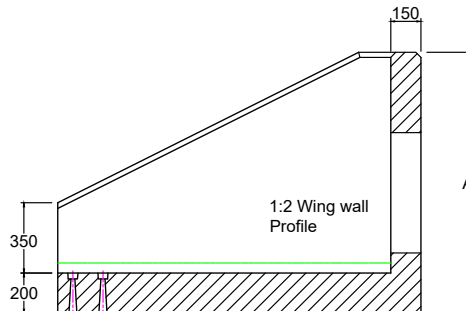
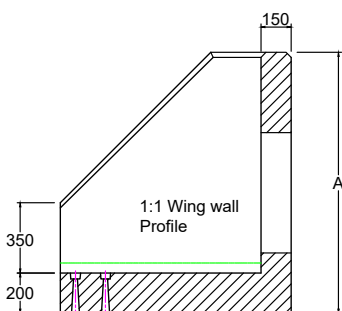


300mm Thick Toe

Headwall Ref	Back Wall Height A	Back Wall Height B	Length L1	Length L2	Wing Wall Profile	Weight	Weight with Toe			Max Pipe Opening	Max Pipe Opening	Max Pipe Opening	Max Pipe Opening	Available with Baffle Blocks
							400mm	650mm	950mm					
										With SFA Grating	Without Grating			
										TW / Clay	Concrete	TW / Clay	Concrete	
	mm	mm	mm	mm		kg	kg	kg	kg	mm	mm	mm	mm	
RSFA18B 01 2270 LH	1300	1100	2276	1150	1:1	3620	4370	4830	5390	450	450	450	450	No
RSFA18B 01 2790 LH	1300	1100	2796	1670	1:1	4500	5250	5710	6270	450	450	450	450	Yes
RSFA18B 05 2940 LH	1300	1100	2946	1820	1:2	4600	5350	5810	6370	450	450	450	450	Yes
RSFA18B 10 3570 LH	1300	1100	3576	2450	1:3	5580	6330	6790	7350	450	450	450	450	Yes

500mm Thick Toe

Headwall Ref	Back Wall Height A	Back Wall Height B	Length L1	Length L2	Wing Wall Profile	Weight	Weight with Toe			Max Pipe Opening	Max Pipe Opening	Max Pipe Opening	Max Pipe Opening	Available with Baffle Blocks
							500mm	750mm	1000mm					
										With SFA Grating	Without Grating			
										TW / Clay	Concrete	TW / Clay	Concrete	
	mm	mm	mm	mm		kg	kg	kg	kg	mm	mm	mm	mm	
RSFA18B 01 2270 LH	1300	1100	2276	1150	1:1	3620	5240	6050	6860	450	450	450	450	No
RSFA18B 01 2790 LH	1300	1100	2796	1670	1:1	4500	6120	6930	7740	450	450	450	450	Yes
RSFA18B 05 2940 LH	1300	1100	2946	1820	1:2	4600	6220	7030	7840	450	450	450	450	Yes
RSFA18B 10 3570 LH	1300	1100	3576	2450	1:3	5580	7200	8010	8820	450	450	450	450	Yes





# RSFA18B Right Hand Angled Headwall Range

Up to 450mm Pipework  
1300mm Backwall Height

300 and 500mm Thick Toe

The RSFA18B Headwalls are a single piece structure with a wing wall profile of 1:1, 1:2 or 1:3 an internal back wall height of 1100mm, suitable for pipes with a maximum internal diameter of 450mm and supplied with a separate toe beam.

Sewers for Adoption Guidelines call for an Outfall Safety Grille to be fitted to all openings 350mm and above. The RSFA18B back wall allows room for an SFA Compliant Outfall Safety Grille to be fitted along with an access ladder, Kee Klamp® Size 8 GMS Handrail is also fitted to the back wall and the horizontal section of the wing walls with a self-closing gate above the access ladder.

The RSFA18B Headwalls are available in one length; there are two thicknesses of toe beam available each in three depths to suit site conditions. The RSFA18B Headwalls are in accordance with Severn Trent Water Drawing No STD6002 Rev 02



RSFA18B 01 2270 RH  
1:1 Wing Wall



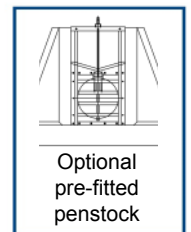
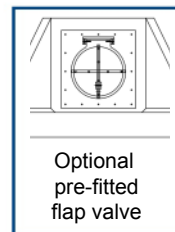
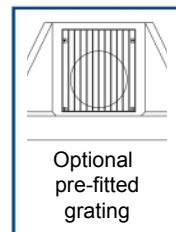
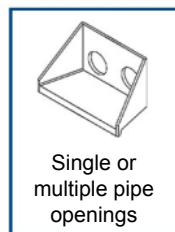
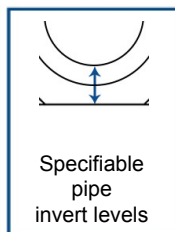
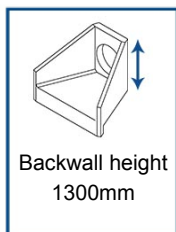
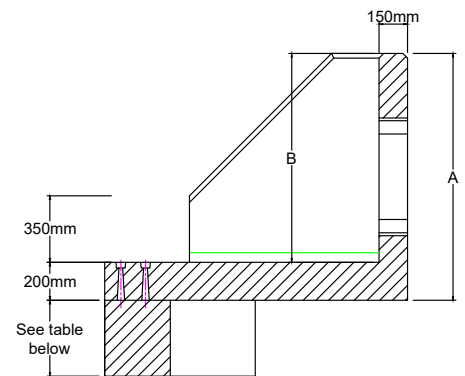
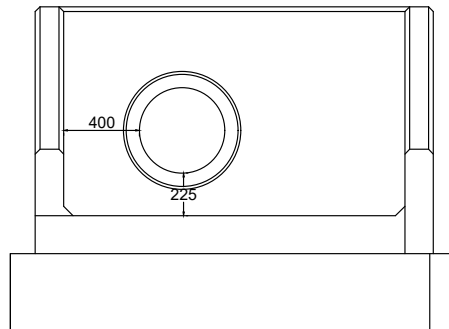
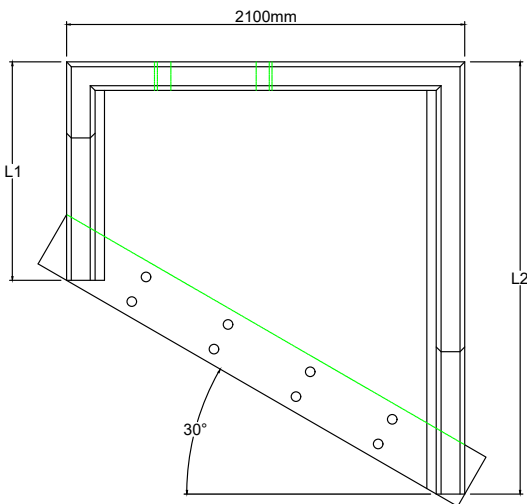
RSFA18B 01 2790 RH  
1:1 Wing Wall



RSFA18B 05 2940 RH  
1:2 Wing Wall



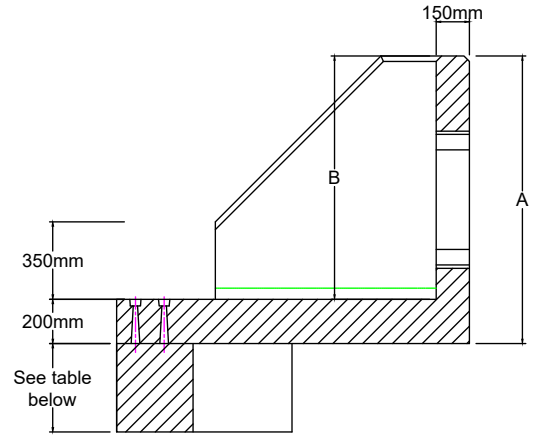
RSFA18B 10 3570 RH  
1:3 Wing Wall



# RSFA18B Right Hand Angled Headwall Range

Up to 450mm Pipework  
1300mm Backwall Height

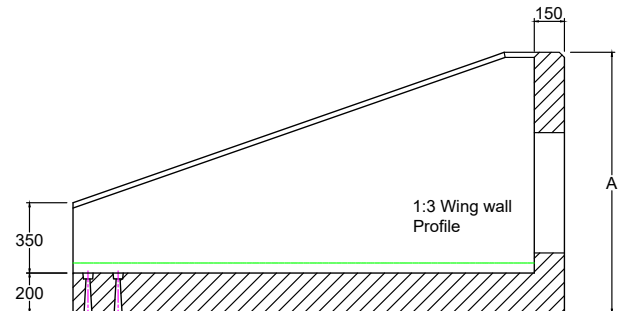
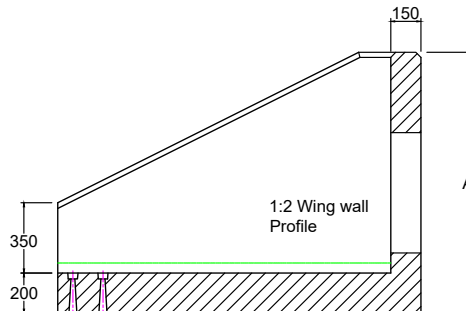
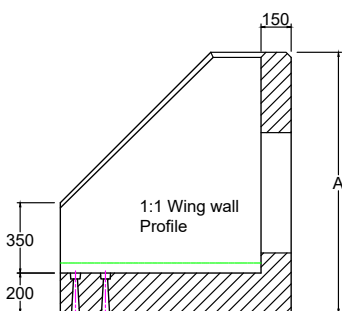
300mm Thick Toe



Headwall Ref	Back Wall Height A	Back Wall Height B	Length L1	Length L2	Wing Wall Profile	Weight	Weight with Toe			Max Pipe Opening	Max Pipe Opening	Max Pipe Opening	Max Pipe Opening	Available with Baffle Blocks
							400mm	650mm	950mm					
										With SFA Grating		Without Grating		
										TW / Clay	Concrete	TW / Clay	Concrete	
	mm	mm	mm	mm		kg	kg	kg	kg	mm	mm	mm	mm	
RSFA18B 01 2270 RH	1300	1100	2276	1150	1:1	3620	4370	4830	5390	450	450	450	450	No
RSFA18B 01 2790 RH	1300	1100	2796	1670	1:1	4500	5250	5710	6270	450	450	450	450	Yes
RSFA18B 05 2940 RH	1300	1100	2946	1820	1:2	4600	5350	5810	6370	450	450	450	450	Yes
RSFA18B 10 3570 RH	1300	1100	3576	2450	1:3	5580	6330	6790	7350	450	450	450	450	Yes

500mm Thick Toe

Headwall Ref	Back Wall Height A	Back Wall Height B	Length L1	Length L2	Wing Wall Profile	Weight	Weight with Toe			Max Pipe Opening	Max Pipe Opening	Max Pipe Opening	Max Pipe Opening	Available with Baffle Blocks
							500mm	750mm	1000mm					
										With SFA Grating		Without Grating		
										TW / Clay	Concrete	TW / Clay	Concrete	
	mm	mm	mm	mm		kg	kg	kg	kg	mm	mm	mm	mm	
RSFA18B 01 2270 RH	1300	1100	2276	1150	1:1	3620	5240	6050	6860	450	450	450	450	No
RSFA18B 01 2790 RH	1300	1100	2796	1670	1:1	4500	6120	6930	7740	450	450	450	450	Yes
RSFA18B 05 2940 RH	1300	1100	2946	1820	1:2	4600	6220	7030	7840	450	450	450	450	Yes
RSFA18B 10 3570 RH	1300	1100	3576	2450	1:3	5580	7200	8010	8820	450	450	450	450	Yes



## RSFA20B Headwall Range

Up to 600mm Pipework  
1300mm Backwall Height

300 and 500mm Thick Toe

The RSFA20B Headwalls are a single piece structure with a wing wall profile of 1:1, 1:2 or 1:3 an internal back wall height of 1100mm, suitable for pipes with a maximum internal diameter of 600mm and supplied with a separate toe beam.

Sewers for Adoption Guidelines call for an Outfall Safety Grille to be fitted to all openings 350mm and above. The RSFA20B back wall allows room for an SFA Compliant Outfall Safety Grille to be fitted along with an access ladder, Kee Klamp® Size 8 GMS Handrail is also fitted to the back wall and the horizontal section of the wing walls with a self-closing gate above the access ladder.

The RSFA20B Headwalls are available in one length; there are two thicknesses of toe beam available each in three depths to suit site conditions.

The RSFA20B Headwalls are in accordance with Severn Trent Water Drawing No STD6002 Rev 02



RSFA20B 01 1150  
1:1 Wing Wall



RSFA20B 01 2000  
1:1 Wing Wall



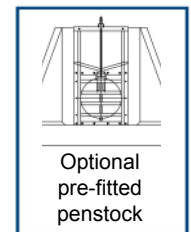
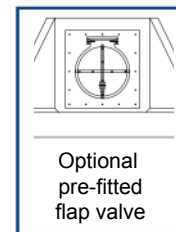
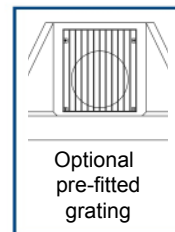
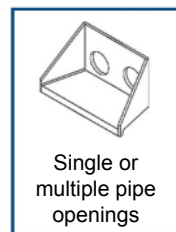
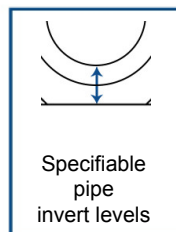
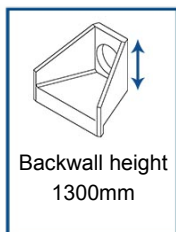
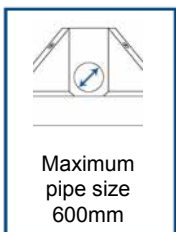
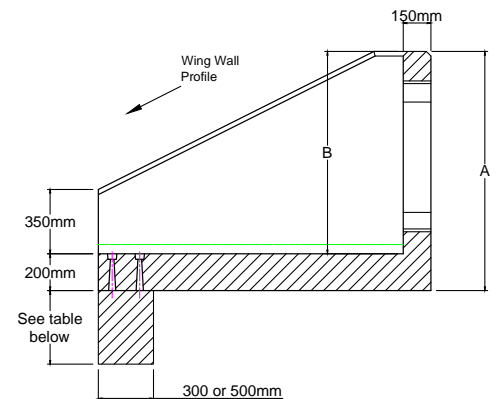
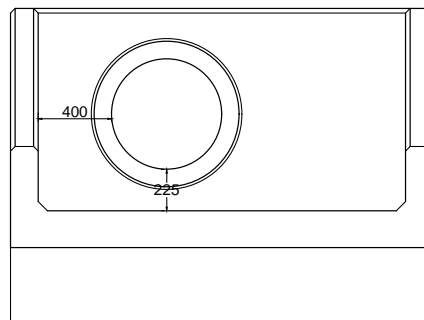
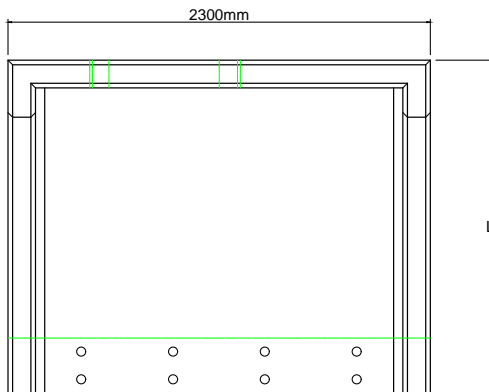
RSFA20B 05 1810  
1:2 Wing Wall



RSFA20B 05 2150  
1:2 Wing Wall



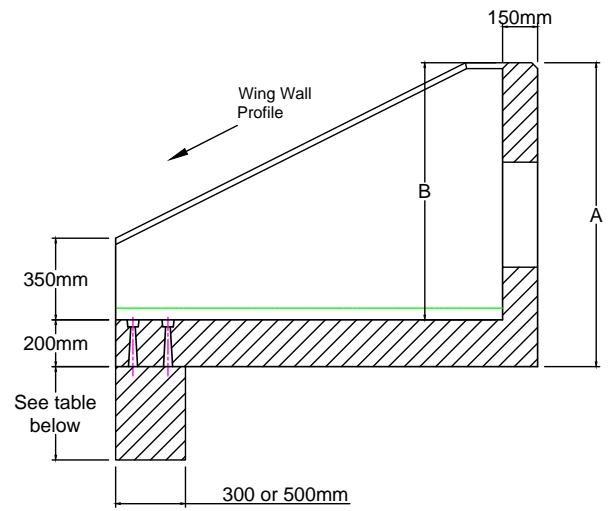
RSFA20B 10 2450  
1:3 Wing Wall



# RSFA20B Headwall Range

Up to 600mm Pipework  
1300mm Backwall Height

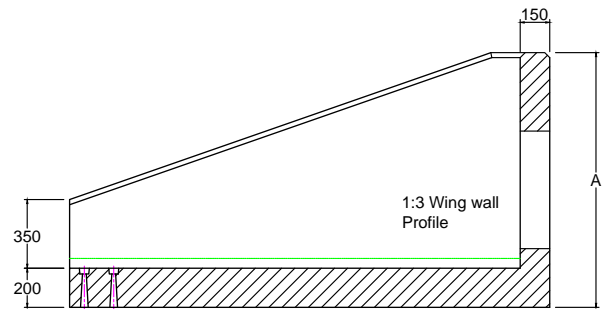
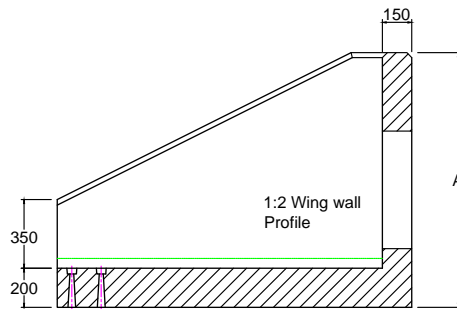
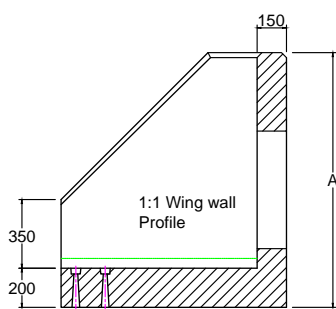
300mm Thick Toe



Headwall Ref	Back Wall Height A	Back Wall Height B	Length L	Wing Wall Profile	Weight	Weight with Toe			Max Pipe Opening	Max Pipe Opening	Max Pipe Opening	Max Pipe Opening	Available with Baffle Blocks
						400mm	650mm	950mm					
						With SFA Grating			Without Grating				
						TW / Clay	Concrete		TW / Clay	Concrete			
	mm	mm	mm		kg	kg	kg	kg	mm	mm	mm	mm	
RSFA20B 01 1150	1300	1100	1150	1:1	3980	4640	5050	5550	600	600	600	600	No
RSFA20B 01 2000	1300	1100	2000	1:1	4390	5050	5460	5960	600	600	600	600	Yes
RSFA20B 05 1810	1300	1100	1810	1:2	3790	4450	4860	5360	600	600	600	600	No
RSFA20B 05 2150	1300	1100	2150	1:2	4460	5120	5530	6030	600	600	600	600	Yes
RSFA20B 10 2450	1300	1100	2450	1:2	4850	5510	5920	6420	600	600	600	600	Yes

## 500mm Thick Toe

Headwall Ref	Back Wall Height A	Back Wall Height B	Length L	Wing Wall Profile	Weight	Weight with Toe			Max Pipe Opening	Max Pipe Opening	Max Pipe Opening	Max Pipe Opening	Available with Baffle Blocks
						500mm	750mm	1000mm					
						With SFA Grating			Without Grating				
						TW / Clay	Concrete		TW / Clay	Concrete			
	mm	mm	mm		kg	kg	kg	kg	mm	mm	mm	mm	
RSFA20B 01 1150	1300	1100	1150	1:1	3980	5360	6050	6740	600	600	600	600	No
RSFA20B 01 2000	1300	1100	2000	1:1	4390	5770	6460	7150	600	600	600	600	Yes
RSFA20B 05 1810	1300	1100	1810	1:2	3790	5170	5860	6550	600	600	600	600	No
RSFA20B 05 2150	1300	1100	2150	1:2	4460	5840	6530	7220	600	600	600	600	Yes
RSFA20B 10 2450	1300	1100	2450	1:2	4850	6230	6920	7610	600	600	600	600	Yes





# RSFA20B Left Hand Angled Headwall Range

Up to 600mm Pipework  
1300mm Backwall Height

300 and 500mm Thick Toe

The RSFA20B Headwalls are a single piece structure with a wing wall profile of 1:1, 1:2 or 1:3 an internal back wall height of 1100mm, suitable for pipes with a maximum internal diameter of 600mm and supplied with a separate toe beam.

Sewers for Adoption Guidelines call for an Outfall Safety Grille to be fitted to all openings 350mm and above. The RSFA20B back wall allows room for an SFA Compliant Outfall Safety Grille to be fitted along with an access ladder, Kee Klamp® Size 8 GMS Handrail is also fitted to the back wall and the horizontal section of the wing walls with a self-closing gate above the access ladder.

The RSFA20B Headwalls are available in one length; there are two thicknesses of toe beam available each in three depths to suit site conditions. The RSFA20B Headwalls are in accordance with Severn Trent Water Drawing No STD6002 Rev 02



RSFA20B 01 2390 LH  
1:1 Wing Wall



RSFA20B 01 3330 LH  
1:1 Wing Wall



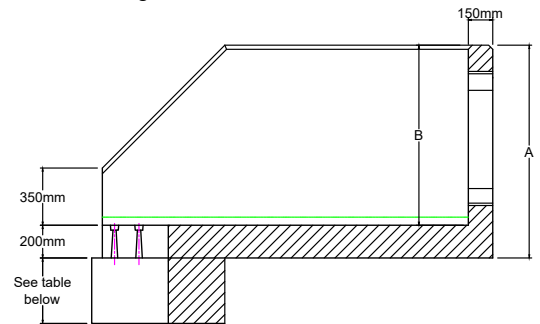
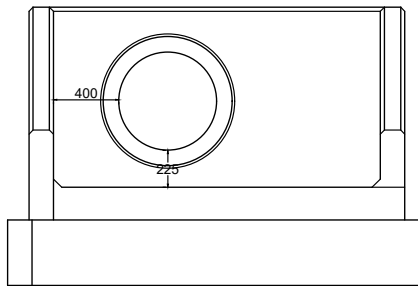
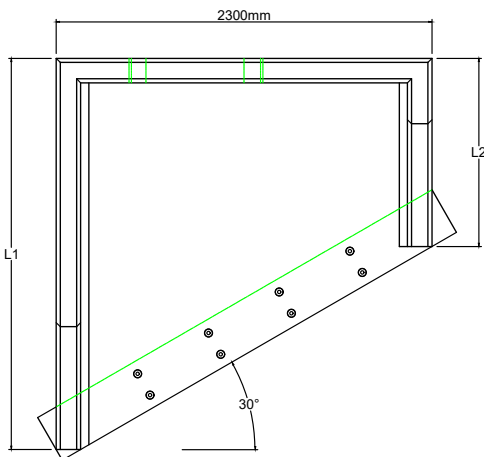
RSFA20B 05 3050 LH  
1:2 Wing Wall



RSFA20B 05 3390 LH  
1:2 Wing Wall



RSFA20B 10 3690 LH  
1:3 Wing Wall



Maximum pipe size 600mm

Backwall height 1300mm

Specifiable pipe invert levels

Single or multiple pipe openings

Optional pre-fitted grating

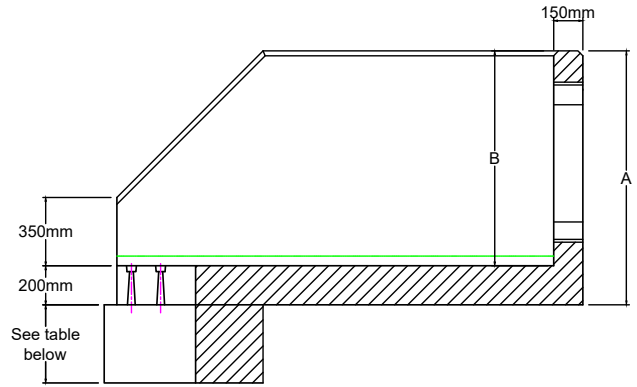
Optional pre-fitted flap valve

Optional pre-fitted penstock

# RSFA20B Left Hand Angled Headwall Range

Up to 600mm Pipework  
1300mm Backwall Height

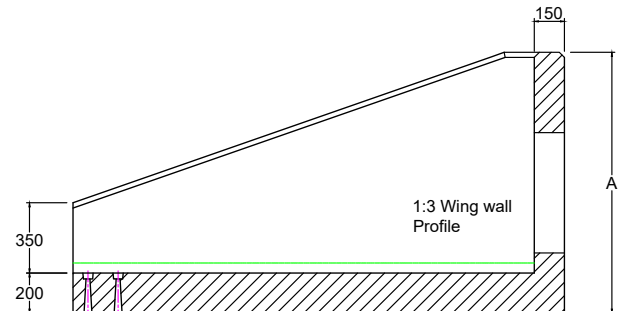
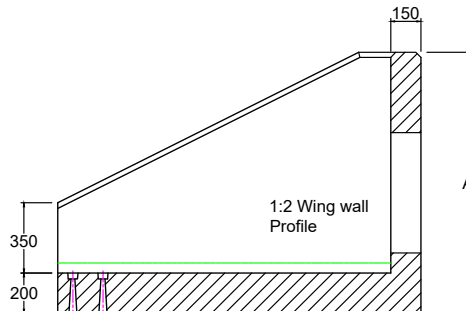
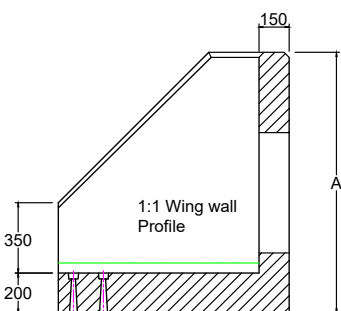
300mm Thick Toe



Headwall Ref	Back Wall Height A	Back Wall Height B	Length L1	Length L2	Wing Wall Profile	Weight	Weight with Toe			Max Pipe Opening	Max Pipe Opening	Max Pipe Opening	Max Pipe Opening	Available with Baffle Blocks
							400mm	650mm	950mm					
							With SFA Grating		Without Grating					
							TW / Clay	Concrete	TW / Clay	Concrete				
							mm	mm	mm	mm				
RSFA20B 01 2390 LH	1300	1100	2390	1150	1:1	3950	4750	5250	5850	600	600	600	600	No
RSFA20B 01 3330 LH	1300	1100	3330	2090	1:1	5590	6390	6890	7490	600	600	600	600	Yes
RSFA20B 05 3050 LH	1300	1100	3050	1810	1:2	5010	5810	6310	6910	600	600	600	600	No
RSFA20B 05 3390 LH	1300	1100	3390	2150	1:2	5680	6480	6980	7580	600	600	600	600	Yes
RSFA20B 10 3690 LH	1300	1100	3690	2450	1:3	6080	6880	7380	7980	600	600	600	600	Yes

500mm Thick Toe

Headwall Ref	Back Wall Height A	Back Wall Height B	Length L1	Length L2	Wing Wall Profile	Weight	Weight with Toe			Max Pipe Opening	Max Pipe Opening	Max Pipe Opening	Max Pipe Opening	Available with Baffle Blocks
							500mm	750mm	1000mm					
							With SFA Grating		Without Grating					
							TW / Clay	Concrete	TW / Clay	Concrete				
							mm	mm	mm	mm				
RSFA20B 01 2390 LH	1300	1100	2390	1150	1:1	3950	5570	6380	7190	600	600	600	600	No
RSFA20B 01 3330 LH	1300	1100	3330	2090	1:1	5590	7210	8020	8830	600	600	600	600	Yes
RSFA20B 05 3050 LH	1300	1100	3050	1810	1:2	5010	6630	7440	8250	600	600	600	600	No
RSFA20B 05 3390 LH	1300	1100	3390	2150	1:2	5680	7300	8110	8920	600	600	600	600	Yes
RSFA20B 10 3690 LH	1300	1100	3690	2450	1:3	6080	7700	8510	9320	600	600	600	600	Yes





# RSFA20B Right Hand Angled Headwall Range

Up to 600mm Pipework  
1300mm Backwall Height

300 and 500mm Thick Toe

The RSFA20B Headwalls are a single piece structure with a wing wall profile of 1:1, 1:2 or 1:3 an internal back wall height of 1100mm, suitable for pipes with a maximum internal diameter of 600mm and supplied with a separate toe beam.

Sewers for Adoption Guidelines call for an Outfall Safety Grille to be fitted to all openings 350mm and above. The RSFA20B back wall allows room for an SFA Compliant Outfall Safety Grille to be fitted along with an access ladder, Kee Klamp® Size 8 GMS Handrail is also fitted to the back wall and the horizontal section of the wing walls with a self-closing gate above the access ladder.

The RSFA20B Headwalls are available in one length; there are two thicknesses of toe beam available each in three depths to suit site conditions. The RSFA20B Headwalls are in accordance with Severn Trent Water Drawing No STD6002 Rev 02



RSFA20B 01 2390 RH  
1:1 Wing Wall



RSFA20B 01 3330 RH  
1:1 Wing Wall



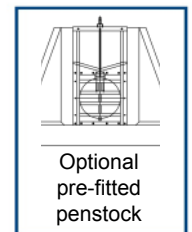
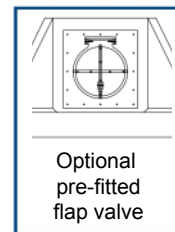
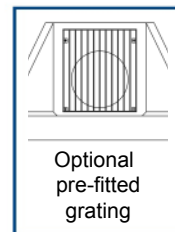
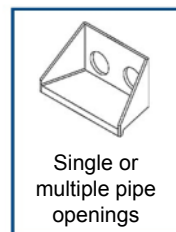
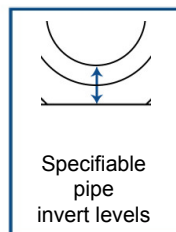
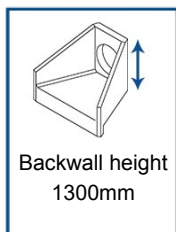
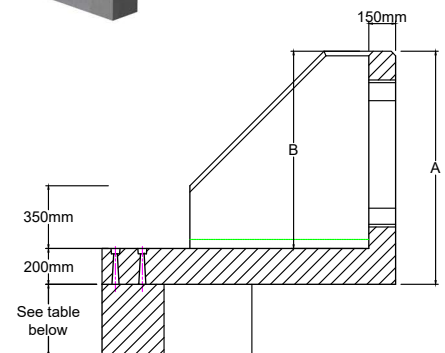
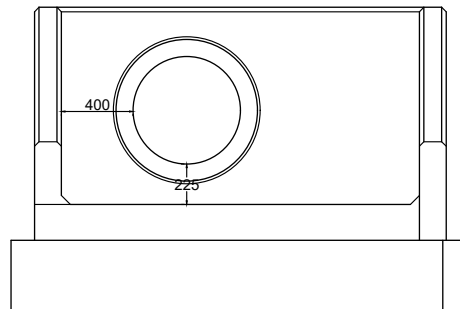
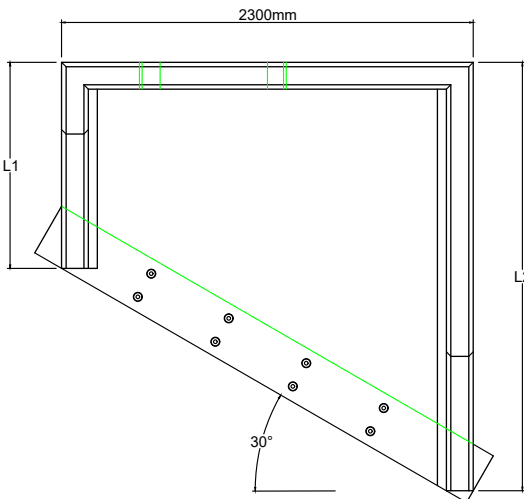
RSFA20B 05 3050 RH  
1:2 Wing Wall



RSFA20B 05 3390 RH  
1:2 Wing Wall



RSFA20B 10 3690 RH  
1:3 Wing Wall

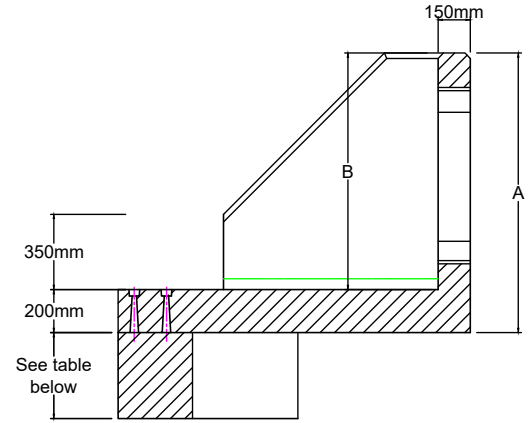




# RSFA20B Right Hand Angled Headwall Range

Up to 600mm Pipework  
1300mm Backwall Height

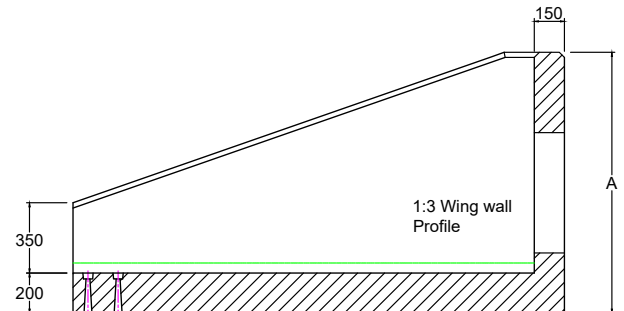
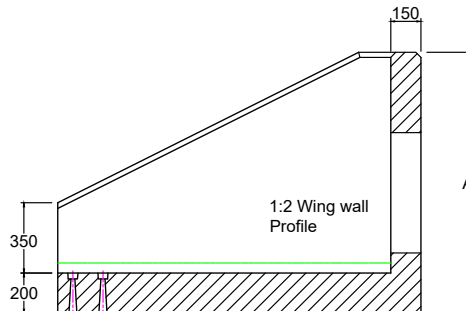
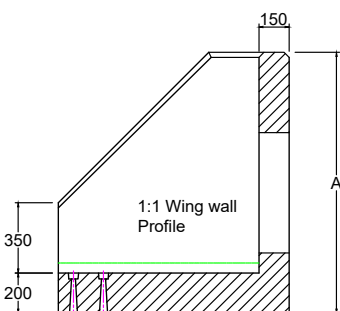
300mm Thick Toe



Headwall Ref	Back Wall Height A	Back Wall Height B	Length L1	Length L2	Wing Wall Profile	Weight	Weight with Toe			Max Pipe Opening	Max Pipe Opening	Max Pipe Opening	Max Pipe Opening	Available with Baffle Blocks
							400mm	650mm	950mm					
							With SFA Grating		Without Grating					
							TW / Clay	Concrete	TW / Clay	Concrete				
							mm	mm	mm	mm				
RSFA20B 01 2390 RH	1300	1100	2390	1150	1:1	3950	4750	5250	5850	600	600	600	600	No
RSFA20B 01 3330 RH	1300	1100	3330	2090	1:1	5590	6390	6890	7490	600	600	600	600	Yes
RSFA20B 05 3050 RH	1300	1100	3050	1810	1:2	5010	5810	6310	6910	600	600	600	600	No
RSFA20B 05 3390 RH	1300	1100	3390	2150	1:2	5680	6480	6980	7580	600	600	600	600	Yes
RSFA20B 10 3690 RH	1300	1100	3690	2450	1:3	6080	6880	7380	7980	600	600	600	600	Yes

500mm Thick Toe

Headwall Ref	Back Wall Height A	Back Wall Height B	Length L1	Length L2	Wing Wall Profile	Weight	Weight with Toe			Max Pipe Opening	Max Pipe Opening	Max Pipe Opening	Max Pipe Opening	Available with Baffle Blocks
							500mm	750mm	1000mm					
							With SFA Grating		Without Grating					
							TW / Clay	Concrete	TW / Clay	Concrete				
							mm	mm	mm	mm				
RSFA20B 01 2390 RH	1300	1100	2390	1150	1:1	3950	5570	6380	7190	600	600	600	600	No
RSFA20B 01 3330 RH	1300	1100	3330	2090	1:1	5590	7210	8020	8830	600	600	600	600	Yes
RSFA20B 05 3050 RH	1300	1100	3050	1810	1:2	5010	6630	7440	8250	600	600	600	600	No
RSFA20B 05 3390 RH	1300	1100	3390	2150	1:2	5680	7300	8110	8920	600	600	600	600	Yes
RSFA20B 10 3690 RH	1300	1100	3690	2450	1:3	6080	7700	8510	9320	600	600	600	600	Yes

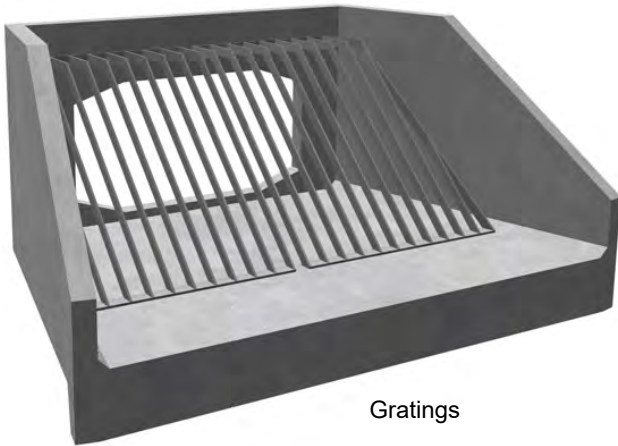


## Headwall Accessories

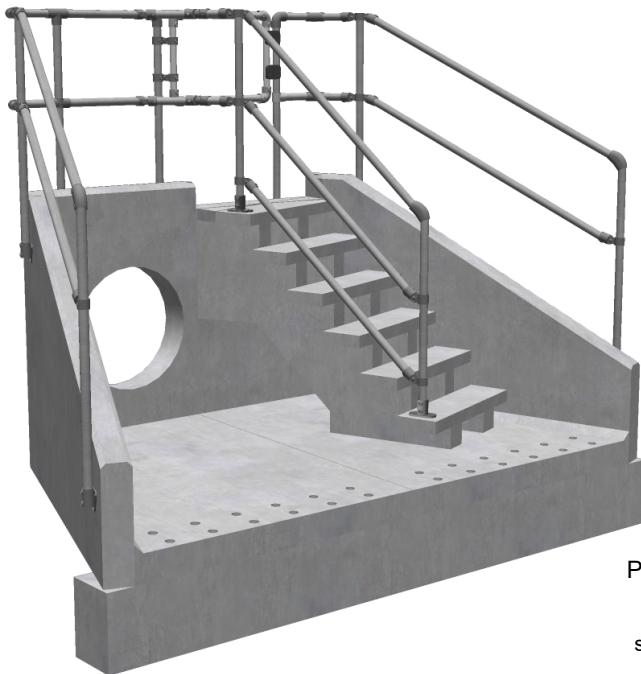
This page gives an overview of the alterations and additions that can be accommodated. For more specific information, please visit our website [www.althon.co.uk](http://www.althon.co.uk) If you can't see what you are looking for please contact our sales office on 01603 488700



Flap Valve



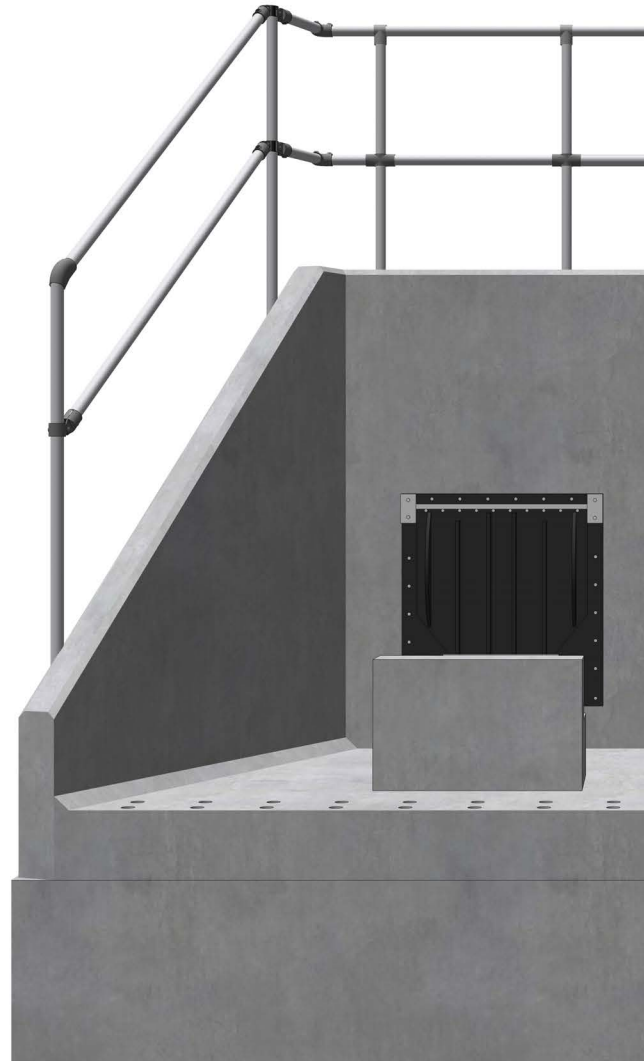
Gratings



PCC Steps



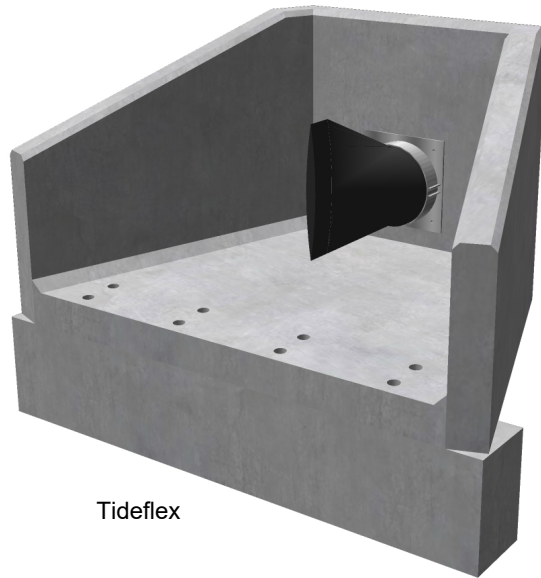
Penstock



Stepped Baffle Blocks



Catwalk Gratings



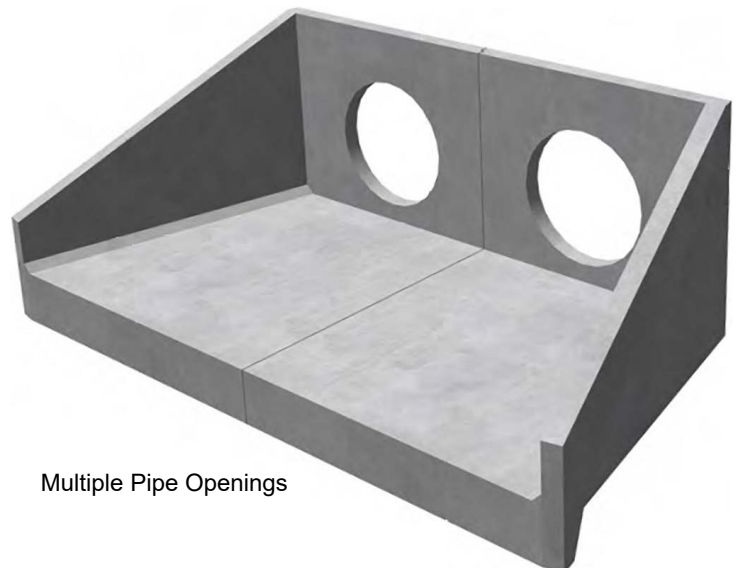
Tideflex



Kee Klamp Handrail and Ladders



Diffuser Blocks



Multiple Pipe Openings

We can also factory fitted other accessories such as Orifice Plates, Extended spillways, Weir Walls, Extended Toes, Pipe openings in Wingwalls, Stop Logs, Dovetail Slots and more.