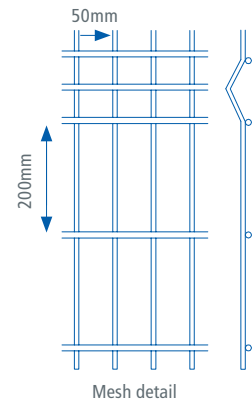


EUROGUARD® COMBI



Euroguard® Combi brings our experience and reputation in steel and timber fencing and gates together in a design that combines the beauty of natural wood with the strength of steel. The robust fence panels and matching gates provide the additional advantages of a flat facing surface with no hand or foot holds as well as closely spaced slats for added privacy.

- Welded mesh panels with timber slats
- Mesh 200 x 50mm centres with 45mm gap, 5mm wire (wire measured prior to coating)
- Unique vandal-proof panel to post fixing
- Can be stepped to accommodate sloping ground
- Posts can be customised for Barbed wire / Razor wire / Rota Spike® / Alarm-aFence®
- Panels can be topped with Viper Spike® / Cobra Spike®
- 25 year service life and Jakcure guarantee



APPLICATIONS

- ✓ Schools
- ✓ Medium - High risk
- ✓ Storage

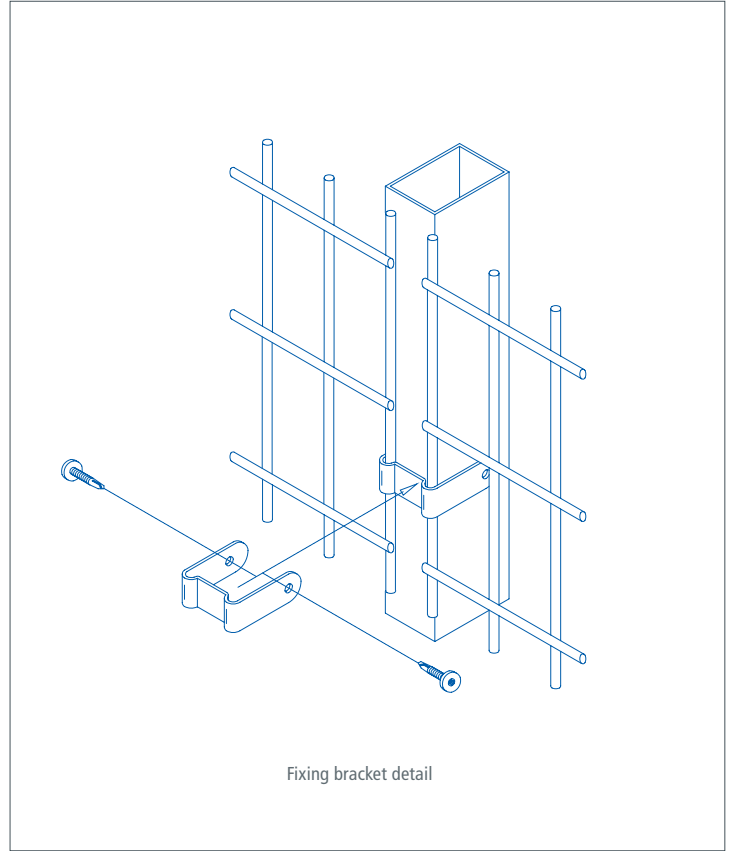
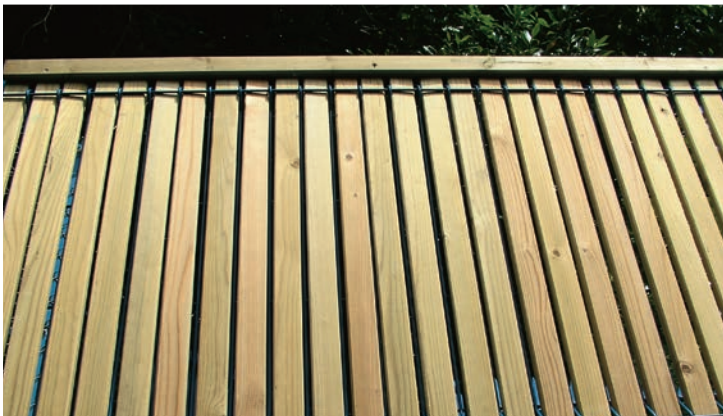
PANELS

Mesh panels with 'V' profile with 2 - 4 reinforcing folds (subject to height) are made using 5mm horizontal and vertical wires with 195 x 45mm aperture, welded at intersections which Galfan® Zinc alloy treated as standard.

40 x 17mm timber slats are treated using our Jakcure® treatment process guaranteeing the timber for 25 years against rot or insect attack.

GATES

Matching gates available



HEIGHT (MM)	POST CENTRES (MM)	TIMBER SLATS (MM)	POST DIMENSIONS (MM)	OVERALL POST LENGTH (MM)
1585	3054	40 x 17	60 x 60	2100
1870	3054	40 x 17	80 x 60	2500
2070	3054	40 x 17	80 x 60	2800
2470	3054	40 x 17	80 x 60 (with spur post)	3300
3170	3054	40 x 17	120 x 60 (with spur post)	3900

POST OPTIONS

- Overlength set in concrete as standard
- Baseplated to bolt down onto concrete
- Cranked to suit wall mounting

FINISHES

- Panels are Galvan® zinc alloy coated to BS EN 10244-2:2009 class A as standard
- Powder coated to BS EN 13438
- Marine coat for installations within 500m of salt water or an estuary

STANDARD COLOURS

- Black RAL 9005
- Green RAL 6005
- Other colours are available on request