
SPORTS FENCING AND TUBULAR SYSTEMS

Whether in a domestic, school, community or sports facility setting, the priorities for any play-related fencing product are safety and the ability to successfully contain the activity to a designated area. This does not necessarily relate merely to the safe containment of children / people but can also include the prevention of balls breaching the boundary perimeter.

There are a number of important factors to consider when specifying and selecting the right fencing and gate solution for sports enclosures. These include participant and spectators safety, the safety of surrounding properties, the security of the enclosure when not in use and of course the playability of the enclosure.

We design and install a variety of sports fencing systems to suit the requirements of individual sports. Whether in leisure or practice facilities or at elite level, you can be assured that the Jacksons range of sports fencing and enclosures will be fit for purpose, as well as being durable, safe, secure and attractive; they are also backed by our industry leading 25 year guarantees for peace of mind and sustainability.

TUBULAR SYSTEMS



Unlike generic systems, Jacksons Tubular Systems for Chain Link and Welded Mesh fencing can feature a top rail for added security and strength. They are made entirely from steel, galvanised as standard or galvanised and powder coated to BS EN 13438 in one of our standard colours.

- Hollow tubular construction
- Top rail as standard on system 3, 4, 5 & 6 to prevent sagging
- Tubular construction for rigidity and ease of installation
- Suitable for cladding in a variety of Chain Link or Welded Mesh, types to suit application
- Ideal for numerous applications from ball courts and perimeter demarcation to contemporary residential settings
- Anti-climb design

APPLICATIONS

- ▶ Sports
- ▶ Low - Medium risk
- ▶ Schools

TUBULAR

Our Tubular System is suitable for both Welded Mesh and Chain Link. For extra security extensions can be fitted on to the posts with the top rail going through them to anchor in place.

GATES

The standard chain link gates are made for 980mm opening and are 50mm shorter than the fence height. They are right or left handed and clad with either galvanised or galvanised and green coated chain link. The frame is made from 42mm diameter galvanised tube.



SYSTEM 1	SYSTEM 2	SYSTEM 3	SYSTEM 4	SYSTEM 5	SYSTEM 6
(900mm - 3600mm high)	(1800mm - 3600mm high)	(900mm - 3600mm high)	(1800mm - 3600mm high)	(1800mm - 3600mm high)	(1800mm - 3600mm high)
Without a top rail, in medium and heavy duty posts	With 60.3mm vertically extended posts with straining posts and struts	With 60.3mm posts and 41.5mm top rail	With 60.3mm posts and vertical extensions 410mm of 3 rows for barbed wire and 41.5mm top rail	With 60.3mm posts with cranked extensions 360mm of 3 rows for barbed wire and 41.5mm top rail	With 60.3mm posts with "Y" extensions of 6 rows for barbed wire and 41.5mm top rail

MESH OPTIONS

Gates are available as either single or double leaf gates with the option of manual or automated, swing or sliding. All our automated gates are CE approved and comply with Health and Safety requirements.

- Galvanised Chain Link
- PVC Chain Link
- Welded Mesh
- PVC Welded Mesh

STANDARD COLOURS

- Black RAL 9005
- Green RAL 6005
- Other colours are available on request

BALL STOP FENCING



Jacksons was the first to develop the double lattice post design for our Ball Stop Fencing in 1994, which provided a structure strong enough to allow sports webbing / mesh to remain in place safely throughout the year. While many have imitated the design, none have bettered it. That's because we prioritise use of the best materials in our proven design, including our top rail for extra rigidity to ensure durability and safety for both users and the public.

- Extra strength lattice posts
- Top rail as standard
- Hollow tubular construction
- Strong, stable and safe structure even in higher wind loading situations
- Wide range of webbing and mesh types available to suit different applications
- Universal frame for various applications from a rugby pitch to golf driving range
- **25-year service life guarantee**

APPLICATIONS

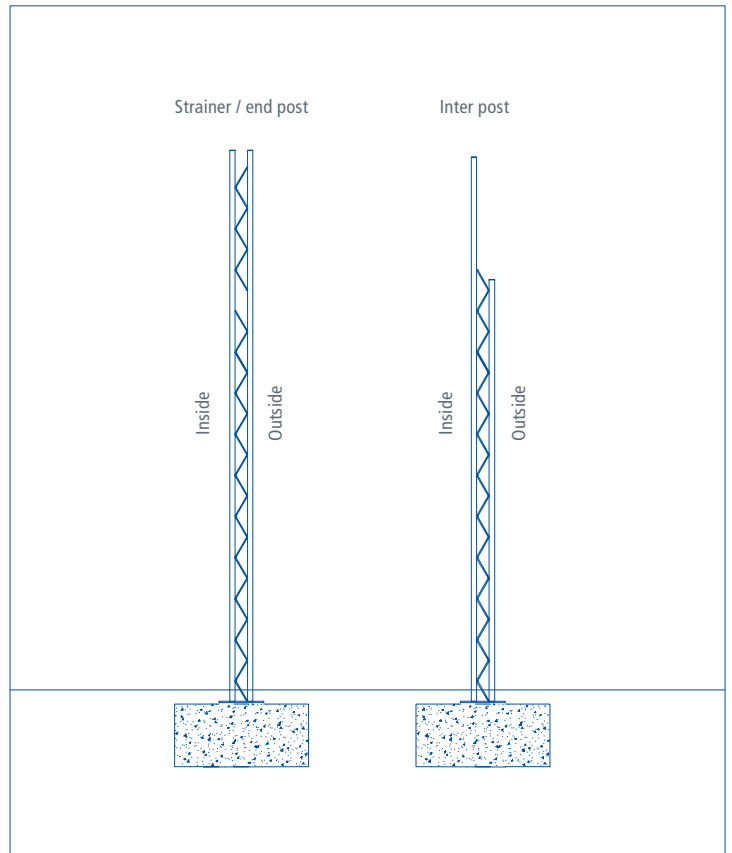
- ▶ Sports
- ▶ Schools
- ▶ Golf courses

POST OPTIONS

- Base plated to bolt down onto concrete

FINISHES

- Hot dip galvanised to BS EN ISO 1461 as standard
- Hot dip galvanised and powder coated to BS EN 13438
- Marine coat for installations within 500m of salt water or an estuary



HEIGHT (MM)	POST CENTRES (MM)	POST DIMENSIONS (MM)	* OVERALL POST LENGTH (MM)
4000	3000	Ø 60.3	4150
5000	3000	Ø 60.3	5150
6000	3000	Ø 60.3	6150
7000	3000	Ø 60.3	7150
8000	3000	Ø 60.3	8150
9000	3000	Ø 60.3	9150

* Posts are base plated 150mm below ground level

STANDARD COLOURS

- Black RAL 9005
- Green RAL 6005
- Other colours are available on request

MESH OPTIONS

- Polyethylene netting
- Chain link - Galvanised / Black or Green PVC coated
- Welded mesh - Galvanised / Black or Green PVC coated

TENNIS COURTS (SYSTEM 3)



Our tennis court system is made from Tubular System 3. Single courts are 18m x 36m with one gate, and double courts are 34m x 36m with two gates. Posts can be supplied in either a galvanised or powder coated finish in our standard colours.

Our tennis court fencing 2.75m high with the option to either have Chain Link (standard) or Welded Mesh as the infill.

- 2.75m high
- Can be clad with either Chain Link or Welded Mesh
- Single court 18m x 36m
- Double court 34m x 36m

Tennis court fence is constructed from tubular posts 60.3mm diameter, with top rail and 41.5mm struts on corner posts complete with tubular framed gate 2000mm high 1000mm wide with a slide latch as standard.

GATES

Chain Link gates are made for 980mm opening and are 2m nominally. They are right hand clad with either a galvanised finish or a galvanised and PVC green coated finish chain link. The framing is made from 42mm diameter galvanised tube, in a 60mm diameter surround frame.

POST OPTIONS

- Overlength set in concrete as standard
- Base plated to bolt down onto concrete



HEIGHT (MM)	POST CENTRES (MM)	POST DIMENSIONS (MM)	OVERALL POST LENGTH (MM)
2750	3000	60.3 Ø	3550

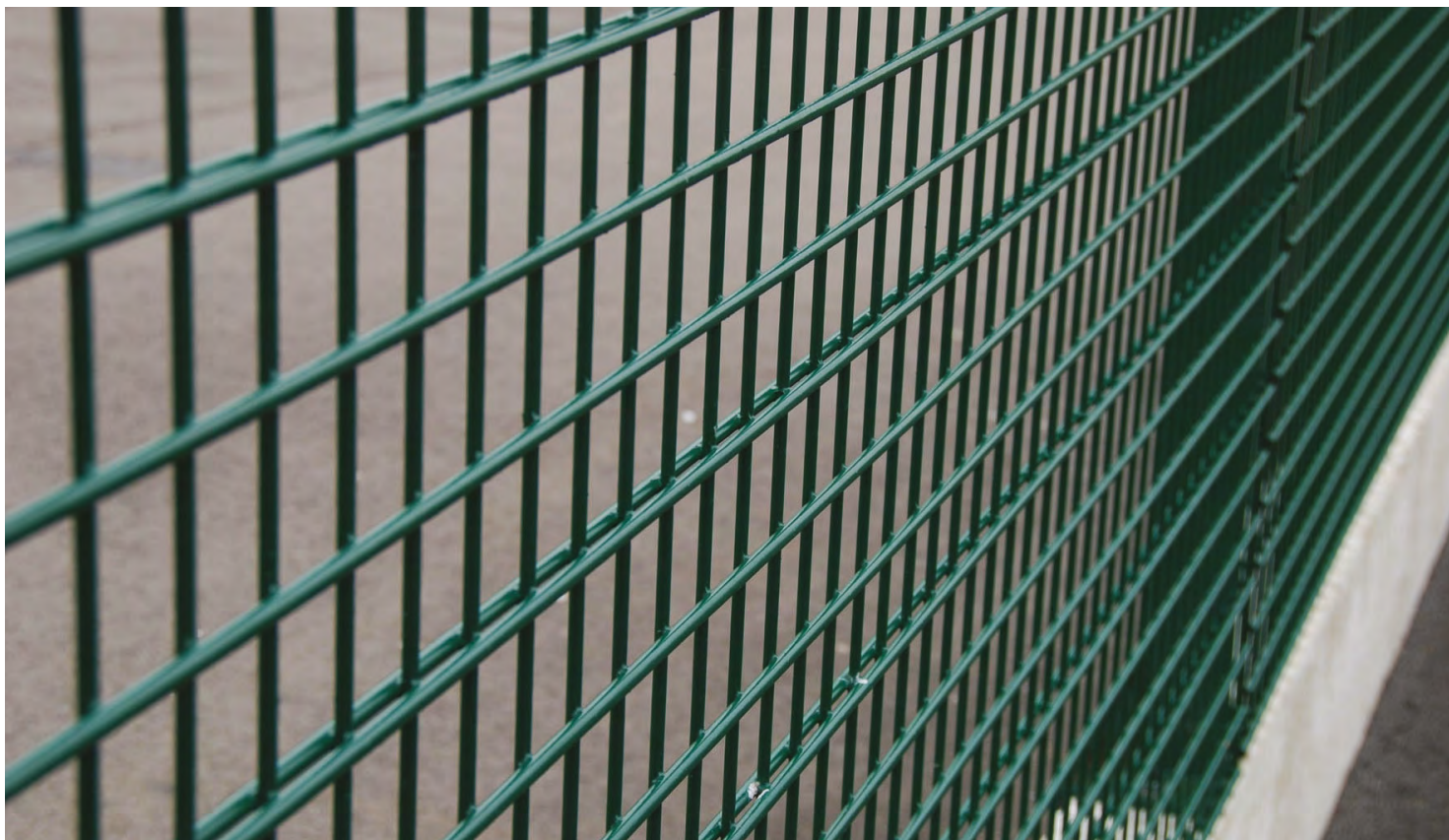
FINISHES

- Posts hot dip galvanised to BS EN ISO 1461 as standard
- Posts hot dip galvanised and powder coated to BS EN 13438
- Marine coat for installations within 500m of salt water or an estuary

POST AND RAIL STANDARD COLOURS

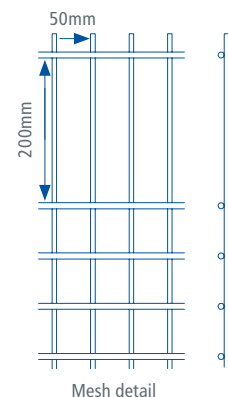
- Black RAL 9005
- Green RAL 6005
- Other colours are available on request

EUROGUARD® REBOUND



Jacksons EuroGuard® Rebound Fencing is an alternative to Chain Link Fencing, for high usage courts. The double wire gives Rebound more rigidity and reduces the vibration along the fence line and also capable of withstanding high impact sports i.e hockey or football. The mesh's aperture is small enough to prevent sports balls from escaping, but still allows the spectator to have an unobscured view.

- 50 x 66.6mm mesh at the base to 1200mm then reverts to 200 x 50mm above up to 2030mm
- Posts 80 x 60mm subject to height of fence
- Can be stepped to accommodate sloping ground
- Post can be adapted to mount CCTV cameras, lighting or physical security devices
- **25-year service life guarantee**



APPLICATIONS

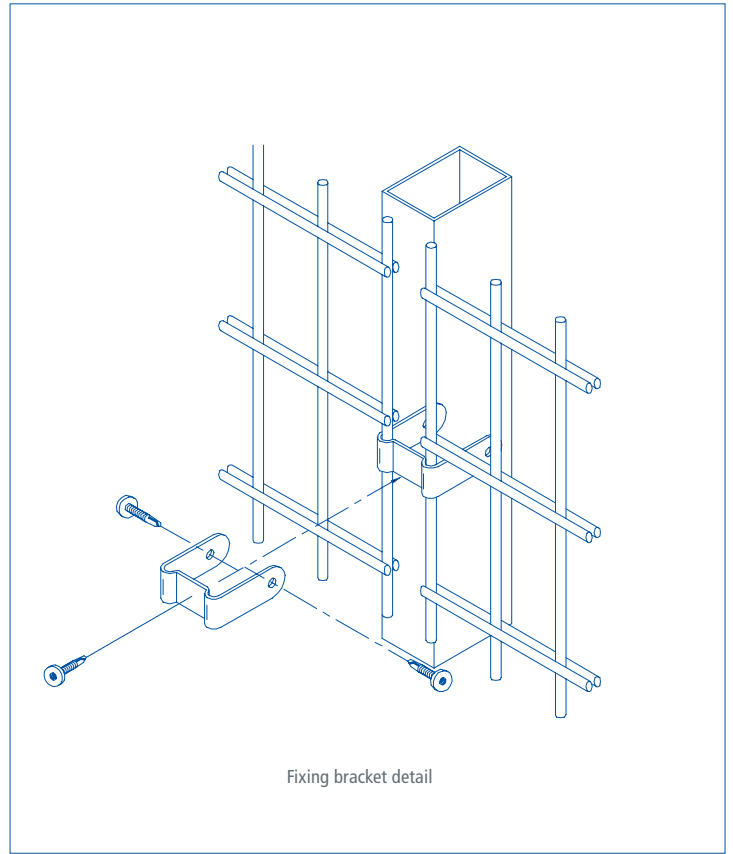
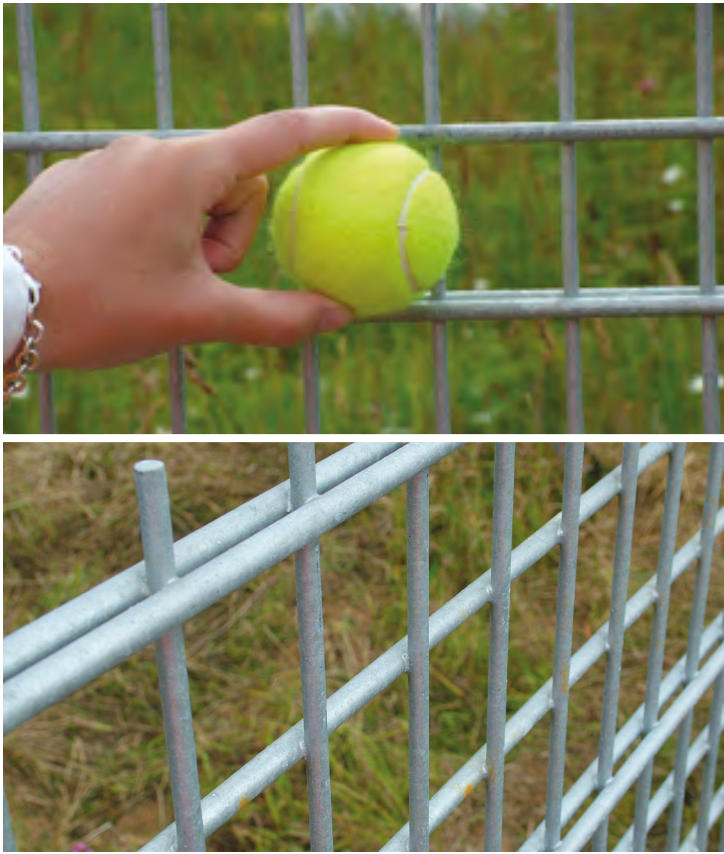
- ▶ Sports
- ▶ Schools
- ▶ Recreational areas

PANELS

EuroGuard® Rebound is constructed from double 8mm horizontal wire, 6mm vertical wire. Mesh 50 x 66.6mm at the base to a height of 1230mm which then reverts to 200 x 50mm

GATES

Matching single leaf and double leaf gates available



HEIGHT (MM)	POST CENTRES (MM)	POST DIMENSIONS (MM)	OVERALL POST LENGTH (MM)
2030*	3010	80 x 60	2800

*Mesh panels can be stacked up to 6m with posts designed to suit application

POST OPTIONS

- Overlength set in concrete as standard
- Base plated to bolt down onto concrete
- Cranked to suit wall mounting

FINISHES

- Panels are Galvan® zinc alloy coated to BS EN 10244-2:2009 class A as standard
- Powder coated to BS EN 13438
- Marine coat for installations within 500m of salt water or an estuary

STANDARD COLOURS

- Black RAL 9005
- Green RAL 6005
- Other colours are available on request