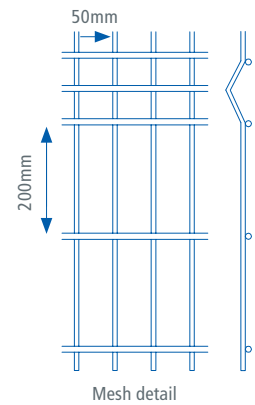


EUROGUARD® REGULAR



Euroguard® Regular is ideal for residential areas, commercial properties, schools or car parks. The “V” shaped profile reinforcing folds increase the panels rigidity and strength. Panels can be stacked above one another to deliver a higher fence.

- Posts can be customised for Barbed wire / Razor wire / Rota Spike® / Alarm-aFence®
- Mesh 200 x 50mm centres with 45mm gap, 5mm wire (wire measured prior to coating)
- Unique vandal-proof panel to post fixing
- Anti-climb design
- 3 - 4 reinforcement folds according to height
- Can be stepped to accommodate sloping ground
- **25-year service life guarantee**



APPLICATIONS

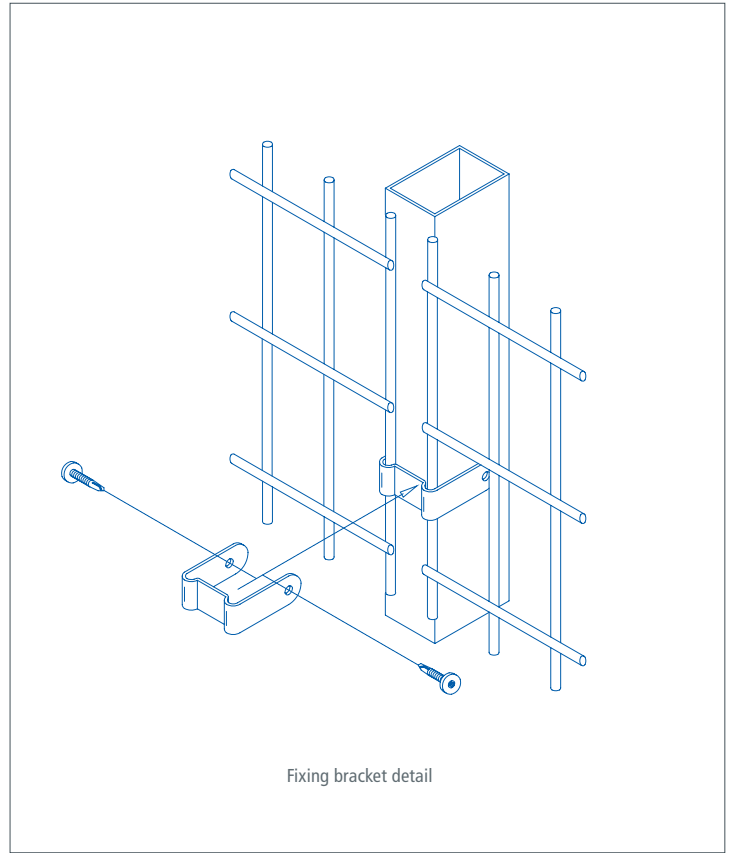
- ✓ Perimeters
- ✓ Schools
- ✓ Retail - Commercial premises

PANELS

Panels 3000m wide with 200 x 45mm mesh, 5mm wires with 3 - 4 reinforcing folds according to height, Galfan® Zinc alloy treated as standard. Vertical wires are at 50mm centres therefore panel has 61 vertical wires.

GATES

Matching gates available



HEIGHT (MM)	POST CENTRES (MM)	POST DIMENSIONS (MM)	OVERALL POST LENGTH (MM)
1525	3034	60 x 40	2100
1810	3034	60 x 40	2500
2010	3034	60 x 40	2800
2410	3054	80 x 60	3300

POST OPTIONS

- Overlength set in concrete as standard
- Baseplated to bolt down onto concrete
- Cranked to suit wall mounting

FINISHES

- Panels are Galfan® zinc alloy coated to BS EN 10244-2:2009 class A as standard
- Powder coated to BS EN 13438
- Marine coat for installations within 500m of salt water or an estuary

STANDARD COLOURS

- Black RAL 9005
- Green RAL 6005
- Other colours are available on request