

// NEW: Flush-fitting fascia panels



Modernisation Solutions for Sectional Doors

Diverse options for every fitting situation





Modernisation with Hörmann

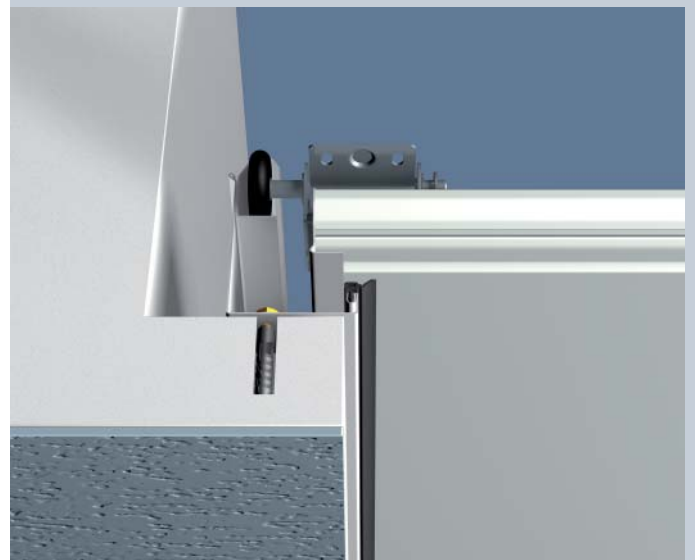
Everything from one source

When modernising and renovating garages, up-and-over doors are typically replaced by modern sectional doors. Hörmann offers flexible and attractive solutions that also allow you to use the most competitively priced and quickly available standard sizes for a multitude of fitting situations. You can get an overview of this on the following pages.

Standard fitting behind the opening

Ideally, the available garage has at least 100 mm of clearance in the lintel area (at least 115 mm for doors with operators) and a 90 mm sideroom. The sectional door can be fitted behind the opening. The reveal guarantees stable fitting. This allows the frame to be screwed directly into the wall behind the opening.

Hörmann sectional doors come with all the necessary fitting materials for this situation.



Fitting behind the opening, facing brick as sideroom (at least 90 mm)

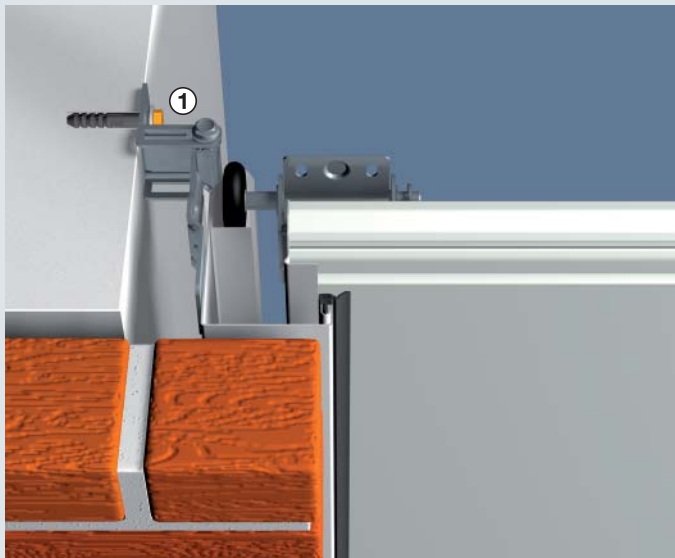
The fitting situation

The lintel and sideroom are made of facing brick. It is not possible to fit the sectional door frame to the facing brick.



The solution

The sectional door frame is fitted to the side walls of the garage using special anchors ①. This keeps the reveal intact.



Advantages at a glance

- No additional auxiliary construction is necessary, saving fitting time and costs.
- The special anchors even out bumps in the wall thanks to flexible settings, allowing the frame to be easily fitted to the side walls according to the requirements of each fitting situation.
- Suitable for all Hörmann sectional garage doors.

Fitting behind the opening, with small sideroom space (less than 90 mm)

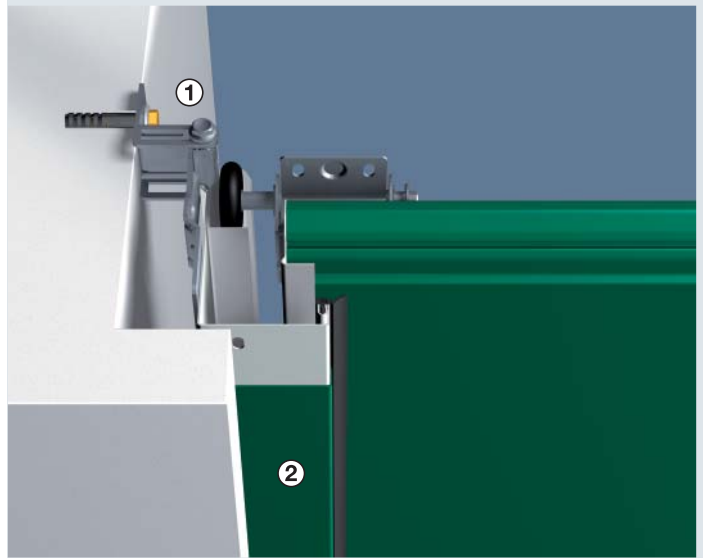
The fitting situation

The garage has an insufficient lintel area and sideroom, making standard fitting impossible.



The solution

The sectional door frame is fitted to the side walls using special anchors ①. The visible part of the sectional door frame is matched to the colour and surface of the door leaf with optional frame cladding ②. The reveal remains intact.



Advantages at a glance

- Sectional doors can be fitted in inexpensive standard and modernisation sizes.
- No additional auxiliary construction is necessary, saving fitting time and costs.
- The special anchors even out bumps in the wall thanks to flexible settings, allowing the frame to be easily fitted to the side walls according to the requirements of each fitting situation.
- The frame covering is available in all surfaces and colours to match the door leaf, thus creating a harmonious overall door appearance.

Fitting in the opening, flush with the wall

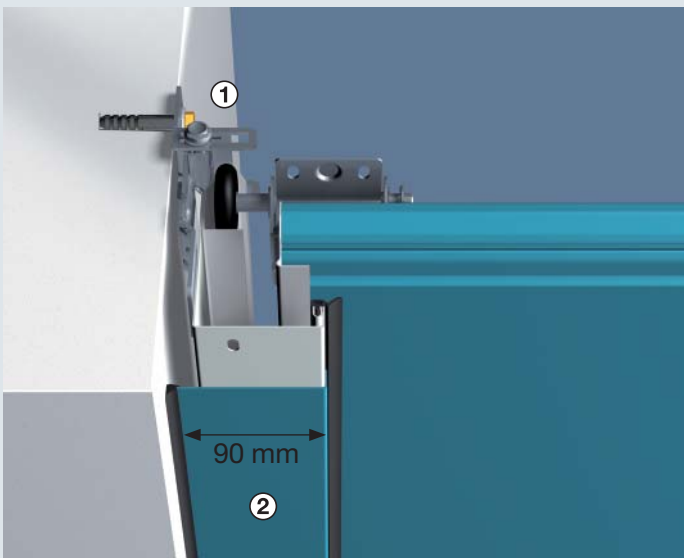
The fitting situation

The garage has straight walls without sideroom.



The solution

The sectional door is ordered to precisely fit the door opening. It is fixed to the side wall using special anchors (1). The optional frame covering (2) is 90 mm wide and covers both the side frame and the fitting holes. A flexible gap seal closes the gap between the side wall and the frame cladding.



Advantages at a glance

- No additional auxiliary construction is necessary, saving fitting time and costs.
- The special anchors even out bumps in the wall thanks to flexible settings, allowing the frame to be easily fitted to the side walls according to the requirements of each fitting situation.
- The frame covering is available for all surfaces and colours to match the door leaf, thus creating a harmonious overall door appearance.

Fitting in the opening, with a gap to the wall

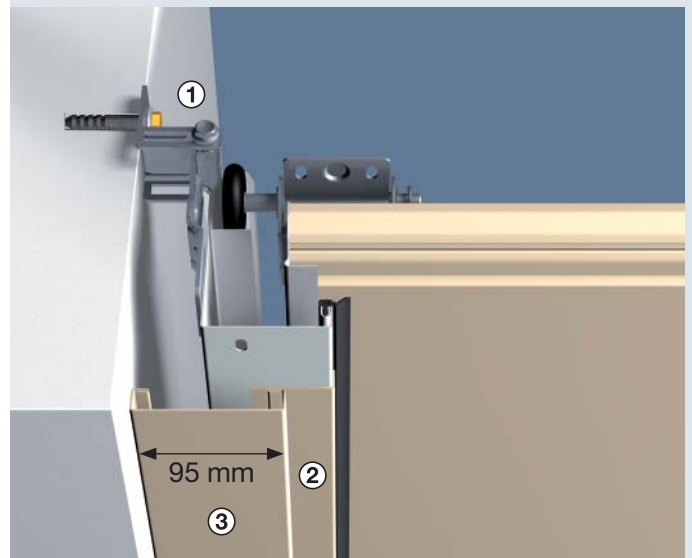
The fitting situation

The garage has straight walls without sideroom.



The solution

A door in inexpensive standard or modernisation sizes can be fitted in the opening. The door frame is fixed to the side wall using special anchors (1). The remaining gap between the side wall and door frame (max. 35 mm) is covered using a fascia frame set (3). The visible part of the sectional door frame is matched to the colour and surface of the door leaf and the fascia frame with optional, 55-mm wide frame covering (2).



Advantages at a glance

- Sectional doors can be fitted in inexpensive standard and modernisation sizes.
- The special anchors even out bumps in the wall thanks to flexible settings, allowing the frame to be easily fitted to the side walls according to the requirements of each fitting situation.
- Flexible gap covering between the frame and garage wall with optimum adjustment on site.
- The fascia frame and the frame covering are available in all surfaces and colours to match the door leaf, thus creating a harmonious overall door appearance.
- The fascia frame set is delivered complete in a modular system with panels, end caps, and fixing material.

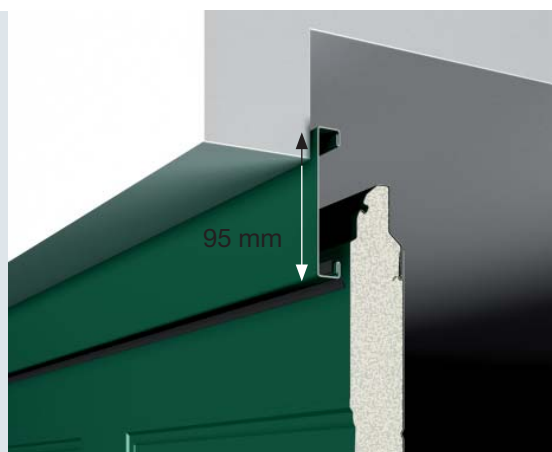
Fascia panels

Hörmann offers various options to elegantly cover the gap between frame and lintel area on sectional garage doors.



Flush-fitting fascia panel // NEW

For an invisible transition between the panel and door leaf



Fitting behind the opening with small lintel area

As standard, the fascia panel matches the door leaf.



Fitting in the opening with gap to the ceiling

The gap between ceiling and fascia panel is cleanly covered with the fascia frame set.



Fitting in the opening with larger gap to the ceiling

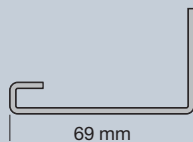
A matching, double-skinned fascia panel covers the gap between ceiling and fascia.

Accessories



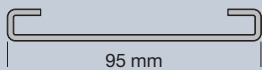
Retrofit fascia set

Damaged wall edges in the lintel and opening areas can be cleanly covered with renovation fascias. Delivered in a set with 3 fascia panels (each 3 m long) available in all surfaces and colours to match the door.



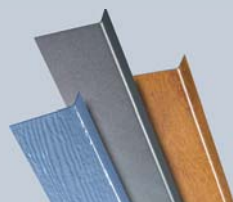
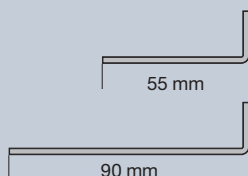
Fascia frame set

This set consists of fascia panels, end caps, and fixing material. This allows you to flexibly cover the gap to the garage wall (max. 35 mm). The set is available in all surfaces and colours to match the door leaf.



Frame cladding

The visible part of the frame is elegantly matched to the colour and surface of the door with a 55-mm or 90-mm wide frame cladding.



Matching appearance

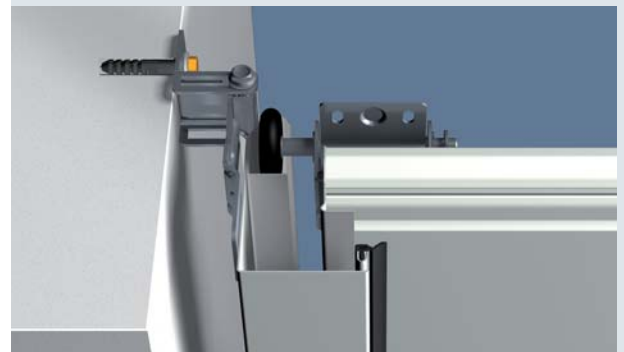
Hörmann offers the renovation fascia set, fascia frame set, and frame cladding in all colours and surfaces to match the door.



Universal frame fitting



Minimum wall spacing



Maximum wall spacing (35 mm)



Chamfered and uneven side wall

The sectional door frame can be fitted to the side wall of the garage with Hörmann's special anchors. Bumps in the wall can easily be smoothed out, leaving the reveal intact.

Hörmann: Quality without Compromise



Hörmann KG Amshausen, Germany



Hörmann KG Antriebstechnik, Germany



Hörmann KG Brandis, Germany



Hörmann KG Brockhagen, Germany



Hörmann KG Dissen, Germany



Hörmann KG Eckelhausen, Germany



Hörmann KG Freisen, Germany



Hörmann KG Ichtershausen, Germany



Hörmann KG Werne, Germany



Hörmann Genk NV, Belgium



Hörmann Alkmaar B.V., Netherlands



Hörmann Legnica Sp. z o.o., Poland



Hörmann Beijing, China



Hörmann Tianjin, China



Hörmann LLC, Montgomery IL, USA



Hörmann Flexon, Leetsdale PA, USA

Hörmann is the only manufacturer worldwide that offers you a complete range of all major building products from one source. We manufacture in highly-specialised factories using the latest production technologies. The close-meshed network of sales and service companies throughout Europe, and activities in the USA and China, make Hörmann your strong partner for first-class building products, offering “Quality without Compromise”.

GARAGE DOORS

OPERATORS

INDUSTRIAL DOORS

LOADING EQUIPMENT

HINGED DOORS

DOOR FRAMES

Hörmann (UK) Ltd, Gee Road, Coalville, Leicestershire LE67 4JW
Phone (01530) 513000, Fax (01530) 513001

