

AQUA TURBO™



**AQUASYSTEMS
INTERNATIONAL NV**

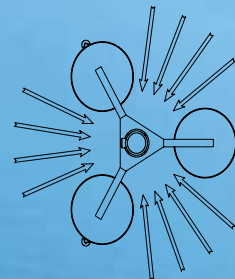
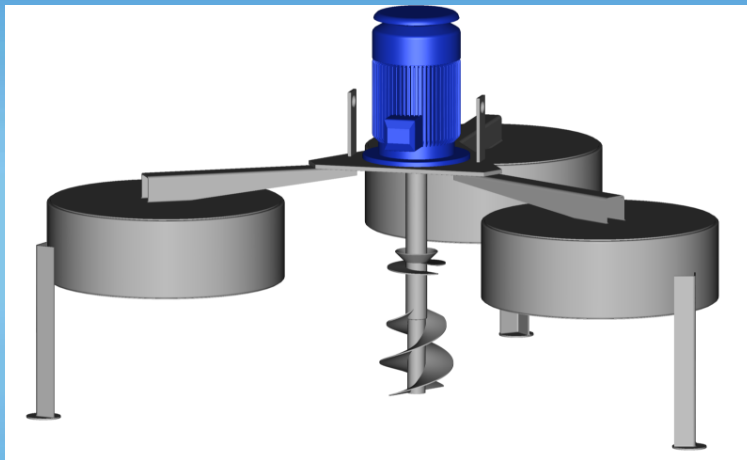
AQUA
DECANT™



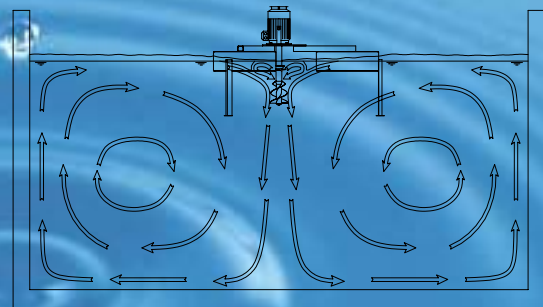
AQUA TURBO®

F.R.E.D.

FLOATABLES RE-ENTRAINMENT DEVICE



**Two actions :
Mixing + Floatables re-entraining**



- Directs grease and other floatables back into the basin
- Mixes the whole basin
- Based on MIX-AS SCREWPELLER® + extra SCREWPELLER® flight that pumps upward. -> Dual action flights
- This extra SCREWPELLER® flight avoids vortex cavitations
- High reliability
- Simple installation

AQUA TURBO® F.R.E.D.



BEFORE



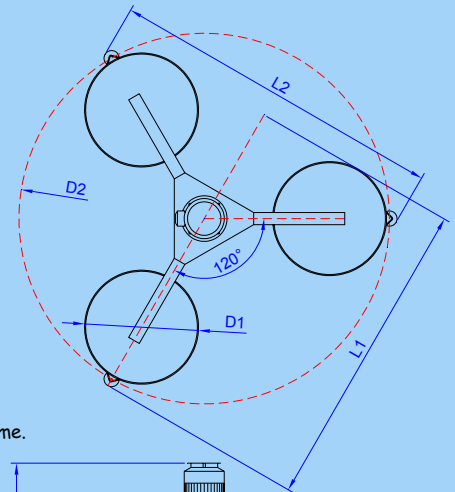
AFTER TWO WEEKS



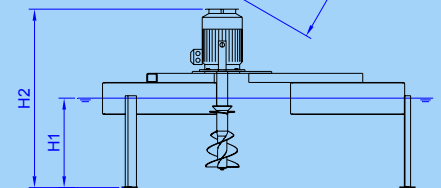
This device not only mixes the basin, it also directs grease and other floatables back into the basin, where it can be removed biologically.

BASIC DATA

Model	Power	D1 (mm)	D2 (mm)	L1 (mm)	L2 (mm)	H1 (mm)	H2 (mm)	Weight (kg)
0110-24	1,1	500	1625	1344	1474	446	910	85
0150-24	1,5	500	1625	1344	1474	461	925	92
0220-24	2,2	750	2350	1950	2136	550	1026	167
0300-24	3	750	2350	1950	2136	555	1031	172
0400-24	4	750	2350	1950	2136	605	1104	215
0550-24	5,5	750	2400	1988	2179	649	1188	220
0750-24	7,5	750	2400	1988	2179	659	1204	235
1100-24	11	850	2650	2200	2409	741	1449	322
1500-24	15	850	2650	2200	2409	741	1449	343
1850-24	18,5	950	2750	2300	2509	749	1491	422
2200-24	22	950	2750	2300	2509	459	1551	442

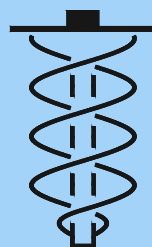


All values are indicative. Aquasystems International NV reserves the right to adjust these values at any time.



Headquarters
AQUASYSTEMS INTERNATIONAL n.v.
 Brusselsesteenweg 508 • B-1500Halle – Belgium
 Tel.: +32/02 362 02 62 • Fax: +32/02 360 35 89
 E-mail : asi@aquaturbo.be • <http://www.aquaturbo.be>

Subsidiary
AQUATURBO SYSTEMS INC.



AQUASYSTEMS INTERNATIONAL n.v.
 Sales offices
 UK • GERMANY • FRANCE

World-wide network of distributors and agents