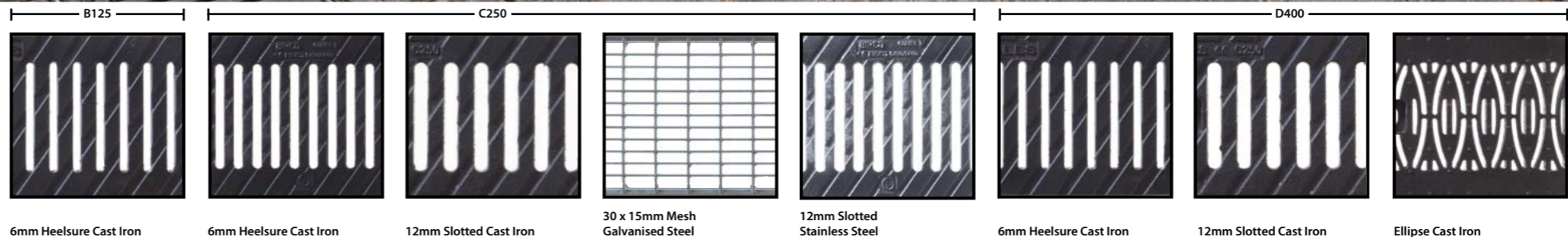
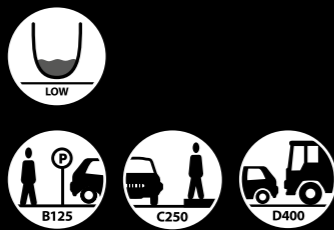




Birco Lite, London Bridge Station

Birco Lite

Grid Drainage System



A general purpose low capacity linear drainage system which combines a robust concrete channel with a wide aesthetic range of cast iron, stainless steel or galvanised grates. Available for both pedestrian and standard trafficking applications, making it suitable for a variety of projects including civic, commercial and rail applications.

Gratings	Loading	Length (mm)	Width (mm)	Unit Weight (kg)	Item Code
6mm Heelsure Cast Iron	B125	500	160	3.8	DR035345
6mm Heelsure Cast Iron	C250	500	160	3.8	DR035360
12mm Slotted Cast Iron	C250	500	160	3.9	DR035350
30 x 15mm Mesh Galvanised Steel	C250	1000	160	4.2	DR040465
12mm Slotted Stainless Steel	C250	500	160	2.7	DR041020
6mm Heelsure Cast Iron	D400	500	160	4.5	DR035366
12mm Slotted Cast Iron	D400	500	160	4.95	DR035363
Ellipse Cast Iron	D400	500	160	5.7	DR041020



For the latest carbon value visit www.marshalls.co.uk/commercial/carbon-calculator

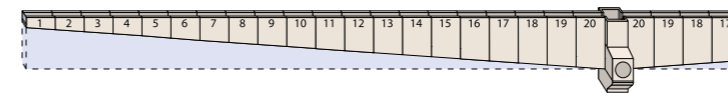


Birco Lite, Manchester

Base Channels	Length (mm)	Width (mm)	Invert Width (mm)	Depth (mm)	Invert Depth (mm)	Unit Weight (kg)	Item Code
Channel 0/0	1000	160	100	170	90	38	DR005015
Channel 5/0	1000	160	100	195	115	46	DR005025
Channel 10/0	1000	160	100	220	140	54	DR005035
Channel 15/0	1000	160	100	245	165	62	DR005045
Channel 20/0	1000	160	100	270	190	70	DR005055
Channel 0/0	500	160	100	170	90	19	DR010165
Channel 5/0	500	160	100	195	115	23	DR010175
Channel 10/0	500	160	100	220	140	27	DR010185
Channel 15/0	500	160	100	245	165	31	DR010195

Inbuilt Fall Channels	Length (mm)	Width (mm)	Invert Width (mm)	Invert Depth (mm) Upstream/Downstream	Depth (mm) Upstream/Downstream	Unit Weight (kg)	Item Code
IBF Channel No. 1	1000	160	100	90/95	170/175	33.5	DR020015
IBF Channel No. 2	1000	160	100	95/100	175/180	34	DR020025
IBF Channel No. 3	1000	160	100	100/105	180/185	34.5	DR020035
IBF Channel No. 4	1000	160	100	105/110	185/190	35	DR020045
IBF Channel No. 5	1000	160	100	110/115	190/195	35.5	DR020055
IBF Channel No. 6	1000	160	100	115/120	195/200	36.5	DR020065
IBF Channel No. 7	1000	160	100	120/125	200/205	37	DR020075
IBF Channel No. 8	1000	160	100	125/130	205/210	37.5	DR020085
IBF Channel No. 9	1000	160	100	130/135	210/215	38	DR020095
IBF Channel No. 10	1000	160	100	135/140	215/220	38.5	DR020105
IBF Channel No. 11	1000	100	100	140/145	220/225	39.5	DR020115
IBF Channel No. 12	1000	100	100	145/150	225/230	40	DR020125
IBF Channel No. 13	1000	100	100	150/155	230/235	40.5	DR020135
IBF Channel No. 14	1000	100	100	155/160	235/240	41	DR020145
IBF Channel No. 15	1000	100	100	160/165	240/245	41.5	DR020155
IBF Channel No. 16	1000	100	100	165/170	245/250	41.5	DR020165
IBF Channel No. 17	1000	100	100	170/175	250/255	43	DR020175
IBF Channel No. 18	1000	100	100	175/180	255/260	43.5	DR020185
IBF Channel No. 19	1000	100	100	180/185	260/265	44	DR020195
IBF Channel No. 20	1000	100	100	185/190	265/270	44.5	DR020205

Inbuilt Fall

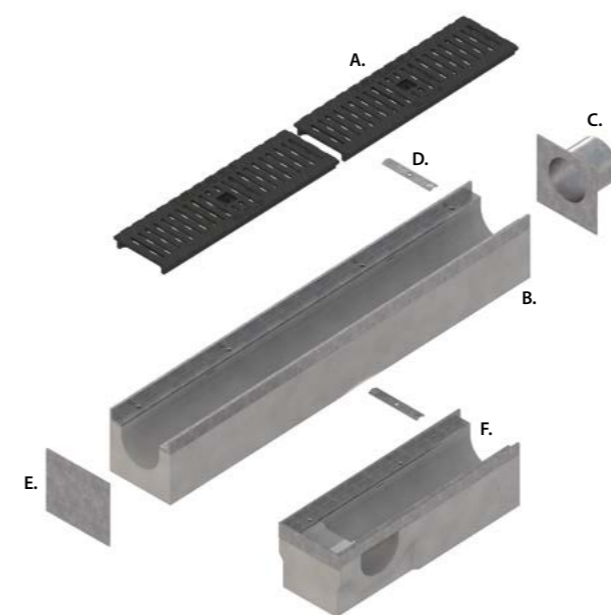


Birco Lite Channels are available with inbuilt falls. Inbuilt Fall Channels increase drainage discharge capacity by improving flow rates and thereby increasing the overall discharge capacity of the system. Inbuilt fall channels are 1000mm long.

T Junction Channels	Unit Weight (kg)	Item Code
T-Channel 0/0	19	DR010210
T-Channel 5/0	23	DR010220
T-Channel 10/0	27	DR010230

Channel Accessories	Unit Weight (kg)	Item Code
100 End Cap 0/0	1	DR045100
100 End Cap 5/0	1.2	DR045110
100 End Cap 10/0	1.4	DR045120
100 End Cap 15/0	1.6	DR045130
100 End Cap 20/0	1.8	DR045130
100 Cap Outlet 0/0	1	DR045150
100 Cap Outlet 5/0	1.2	DR045160
100 Cap Outlet 10/0	1.4	DR045170
100 Cap Outlet 15/0	1.6	DR045180
100 Cap Outlet 20/0	1.8	DR045190
Lite End Outfall 100mm	101	DR050100
Lite Side Outfall 150mm	137	DR050110

Birco Lite with reference numbers indicated in **bold** black are available ex-stock. Birco Lite with reference numbers indicated in light are manufactured to order. Contact our sales office to discuss your requirements.



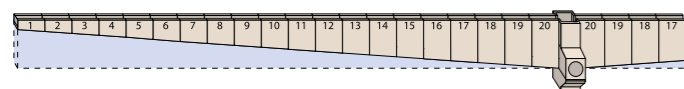
- A. Top Grate
- B. Channel
- C. Cap Outlet
- D. Locking Bars
- E. End Cap
- F. T-Junction Channel

Birco Lite

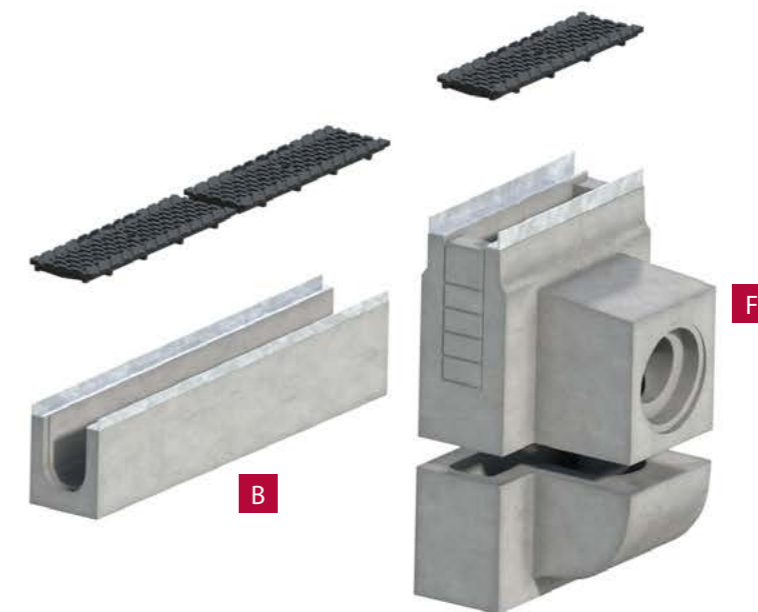
D Inbuilt Fall Channels

Inbuilt Fall Channels	Length (mm)	Width (mm)	Invert Width (mm)	Invert Depth (mm) Upstream/Downstream	Depth (mm) Upstream/Downstream	Unit Weight (kg)	Item Code
IBF Channel No. 1	1000	160	100	90/95	170/175	33.5	DR020015
IBF Channel No. 2	1000	160	100	95/100	175/180	34	DR020025
IBF Channel No. 3	1000	160	100	100/105	180/185	34.5	DR020035
IBF Channel No. 4	1000	160	100	105/110	185/190	35	DR020045
IBF Channel No. 5	1000	160	100	110/115	190/195	35.5	DR020055
IBF Channel No. 6	1000	160	100	115/120	195/200	36.5	DR020065
IBF Channel No. 7	1000	160	100	120/125	200/205	37	DR020075
IBF Channel No. 8	1000	160	100	125/130	205/210	37.5	DR020085
IBF Channel No. 9	1000	160	100	130/135	210/215	38	DR020095
IBF Channel No. 10	1000	160	100	135/140	215/220	38.5	DR020105
IBF Channel No. 11	1000	100	100	140/145	220/225	39.5	DR020115
IBF Channel No. 12	1000	100	100	145/150	225/230	40	DR020125
IBF Channel No. 13	1000	100	100	150/155	230/235	40.5	DR020135
IBF Channel No. 14	1000	100	100	155/160	235/240	41	DR020145
IBF Channel No. 15	1000	100	100	160/165	240/245	41.5	DR020155
IBF Channel No. 16	1000	100	100	165/170	245/250	41.5	DR020165
IBF Channel No. 17	1000	100	100	170/175	250/255	43	DR020175
IBF Channel No. 18	1000	100	100	175/180	255/260	43.5	DR020185
IBF Channel No. 19	1000	100	100	180/185	260/265	44	DR020195
IBF Channel No. 20	1000	100	100	185/190	265/270	44.5	DR020205

Inbuilt Fall



Birco Lite Channels are available with inbuilt falls. Inbuilt Fall Channels increase drainage discharge capacity by improving flow rates and thereby increasing the overall discharge capacity of the system. Inbuilt fall channels are 1000mm long.



A Gratings

Gratings	Loading	Length (mm)	Width (mm)	Unit Weight (kg)	Item Code
6mm Heelsure Cast Iron	B125	500	160	3.8	DR035345
6mm Heelsure Cast Iron	C250	500	160	3.8	DR035360
12mm Slotted Cast Iron	C250	500	160	3.9	DR035350
30 x 15mm Mesh Galvanised Steel	C250	1000	160	4.2	DR040465
12mm Slotted Stainless Steel	C250	500	160	2.7	DR041020
6mm Heelsure Cast Iron	D400	500	160	4.5	DR035366
12mm Slotted Cast Iron	D400	500	160	4.95	DR035363
Ellipse Cast Iron	D400	500	160	5.7	DR041020

Birco Lite with reference numbers indicated in **bold** black are available ex-stock. Birco Lite with reference numbers indicated in light are manufactured to order. Contact our sales office to discuss your requirements.

B Constant Depth Channels

Constant Depth Channels	Length (mm)	Width (mm)	Invert Width (mm)	Depth (mm)	Invert Depth (mm)	Unit Weight (kg)	Item Code
Channel 0/0	1000	160	100	170	90	38	DR005015
Channel 5/0	1000	160	100	195	115	46	DR005025
Channel 10/0	1000	160	100	220	140	54	DR005035
Channel 15/0	1000	160	100	245	165	62	DR005045
Channel 20/0	1000	160	100	270	190	70	DR005055
Channel 0/0	500	160	100	170	90	19	DR010165
Channel 5/0	500	160	100	195	115	23	DR010175
Channel 10/0	500	160	100	220	140	27	DR010185
Channel 15/0	500	160	100	245	165	31	DR010195

E End Cap/Cap Outlets

End Cap/Cap Outlet	Unit Weight (kg)	Item Code
100 End Cap 0/0	1	DR045100
100 End Cap 5/0	1.2	DR045110
100 End Cap 10/0	1.4	DR045120
100 End Cap 15/0	1.6	DR045130
100 End Cap 20/0	1.8	DR045130
100 Cap Outlet 0/0	1	DR045150
100 Cap Outlet 5/0	1.2	DR045160
100 Cap Outlet 10/0	1.4	DR045170
100 Cap Outlet 15/0	1.6	DR045180
100 Cap Outlet 20/0	1.8	DR045190

F Outfalls

Outfalls	Unit Weight (kg)	Item Code
Lite End Outfall 100mm	101	DR050100
Lite Side Outfall 150mm	137	DR050110

C T Junction Channels

T Junction Channels	Unit Weight (kg)	Item Code
T-Channel 0/0	19	DR010210
T-Channel 5/0	23	DR010220
T-Channel 10/0	27	DR010230