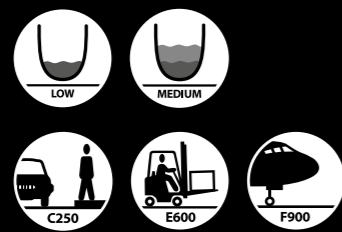




# Birco 150

Grid Drainage System



A medium capacity linear drainage system which combines a robust concrete channel with a wide aesthetic choice of cast iron and galvanised steel grates. Birco 150 is available up to the highest loading classification making it suitable for a variety of commercial, rail and industrial applications.

Gratings	Loading	Length (mm)	Width (mm)	Unit Weight (kg)	Item Code
12mm Slotted Cast Iron	C250	500	250	9.3	DR195200
6mm Heelsure Cast Iron	E600	500	250	10.5	<b>DR195240</b>
12mm Slotted Cast Iron	E600	500	250	11.0	DR195210
12mm Slotted Galvanised Cast Iron	E600	500	250	11	DR197030
20 x 30mm Mesh Galvanised Steel	E600	500	250	7.36	DR197290
Cast Iron Solid Cover	E600	500	250	10.3	DR195230
12mm Slotted Cast Iron	F900	500	250	12.20	DR195220

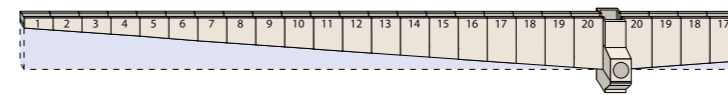


Birco 150, Towcester

Base Channels	Length (mm)	Width (mm)	Invert Width (mm)	Depth (mm)	Invert Depth (mm)	Unit Weight (kg)	Item Code
Channel 0/0	1000	250	150	230	150	76	<b>DR160200</b>
Channel 5/0	1000	250	150	280	200	88	<b>DR160205</b>
Channel 10/0	1000	250	150	330	250	100	DR160210
Channel 15/0	1000	250	150	380	300	112	DR160215
Channel 20/0	1000	250	150	430	350	124	DR160220
Channel 0/0	500	250	150	230	150	38	DR170206
Channel 5/0	500	250	150	280	200	44	DR170226
Channel 10/0	500	250	150	330	250	50	DR170236
Channel 15/0	500	250	150	380	300	45	DR170246

Inbuilt Fall Channels	Length (mm)	Width (mm)	Invert Width (mm)	Depth (mm) Upstream/Downstream	Invert Depth (mm) Upstream/Downstream	Unit Weight (kg)	Item Code
IBF Channel No. 1	1000	250	150	150/160	230/240	76	DR180010
IBF Channel No. 2	1000	250	150	160/170	240/250	77	DR180020
IBF Channel No. 3	1000	250	150	170/180	250/260	77	DR180030
IBF Channel No. 4	1000	250	150	180/190	260/270	79	DR180040
IBF Channel No. 5	1000	250	150	190/200	270/280	80	DR180050
IBF Channel No. 6	1000	250	150	200/210	280/290	81	DR180060
IBF Channel No. 7	1000	250	150	210/220	290/300	82	DR180070
IBF Channel No. 8	1000	250	150	220/230	300/310	83	DR180080
IBF Channel No. 9	1000	250	150	230/240	310/320	84	DR180090
IBF Channel No. 10	1000	250	150	240/250	320/330	85	DR180100
IBF Channel No. 11	1000	250	150	250/260	330/340	86	DR180110
IBF Channel No. 12	1000	250	150	260/270	340/350	87	DR180120
IBF Channel No. 13	1000	250	150	270/280	350/360	88	DR180130
IBF Channel No. 14	1000	250	150	280/290	360/370	89	DR180140
IBF Channel No. 15	1000	250	150	290/300	370/380	90	DR180150
IBF Channel No. 16	1000	250	150	300/310	380/390	91	DR180160
IBF Channel No. 17	1000	250	150	310/320	390/400	92	DR180170
IBF Channel No. 18	1000	250	150	320/330	400/410	93	DR180180
IBF Channel No. 19	1000	250	150	330/340	410/420	94	DR180190
IBF Channel No. 20	1000	250	150	340/350	420/430	95	DR180200

Inbuilt Fall

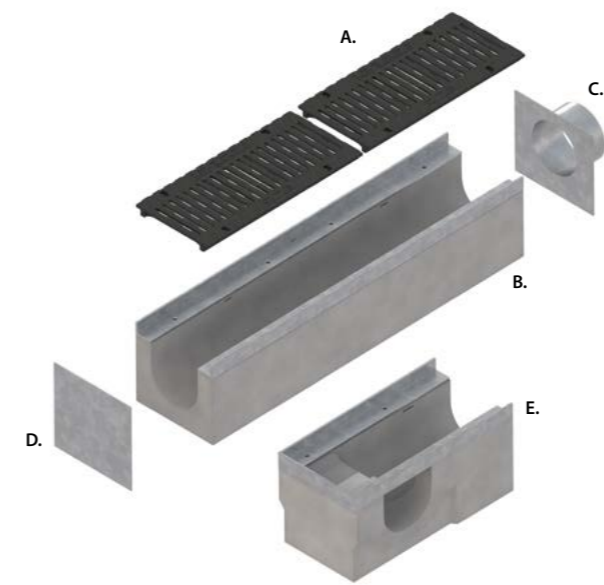


Birco 150 Channels are available with inbuilt falls. Inbuilt Fall Channels increase drainage discharge capacity by improving flow rates and thereby increasing the overall discharge capacity of the system. Inbuilt fall channels are 1000mm long.

T-Junction Channels	Unit Weight (kg)	Item Code
T-Channel 0/0	38	DR190020
T-Channel 5/0	44	DR190030

Channel Accessories	Unit Weight (kg)	Item Code
150 End Cap 0/0	1	<b>DR197200</b>
150 End Cap 5/0	1.2	DR197210
150 End Cap 10/0	1.4	DR197220
150 End Cap 15/0	1.6	DR197230
150 Cap Outlet 0/0	2	DR200250
150 Cap Outlet 5/0	2	DR200260
150 Cap Outlet 10/0	2	DR200270
150 Cap Outlet 15/0	2	DR200280
150 End Outfall 100mm	140	DR210270
150 Side Outfall 150mm	158	<b>DR210280</b>

Birco 150 with reference numbers indicated in **bold black** are available ex-stock. Birco 150 with reference numbers indicated in light are manufactured to order. Contact our sales office to discuss your requirements.



- A. Top Grate
- B. Channel
- C. Cap Outlet
- D. End Cap
- E. T-Junction Channel

# Birco 150

## A Gratings

Gratings	Loading	Length (mm)	Width (mm)	Unit Weight (kg)	Item Code
12mm Slotted Cast Iron	C250	500	250	9.3	DR195200
6mm Heelsure Cast Iron	E600	500	250	10.5	<b>DR195240</b>
12mm Slotted Cast Iron	E600	500	250	11.0	DR195210
12mm Slotted Galvanised Cast Iron	E600	500	250	11	DR197030
20 x 30mm Mesh Galvanised Steel	E600	500	250	7.36	DR197290
Cast Iron Solid Cover	E600	500	250	10.3	DR195230
12mm Slotted Cast Iron	F900	500	250	12.20	DR195220

## C T Junction Channels

T-Junction Channels	Unit Weight (kg)	Item Code
T-Channel 0/0	38	DR190020
T-Channel 5/0	44	DR190030

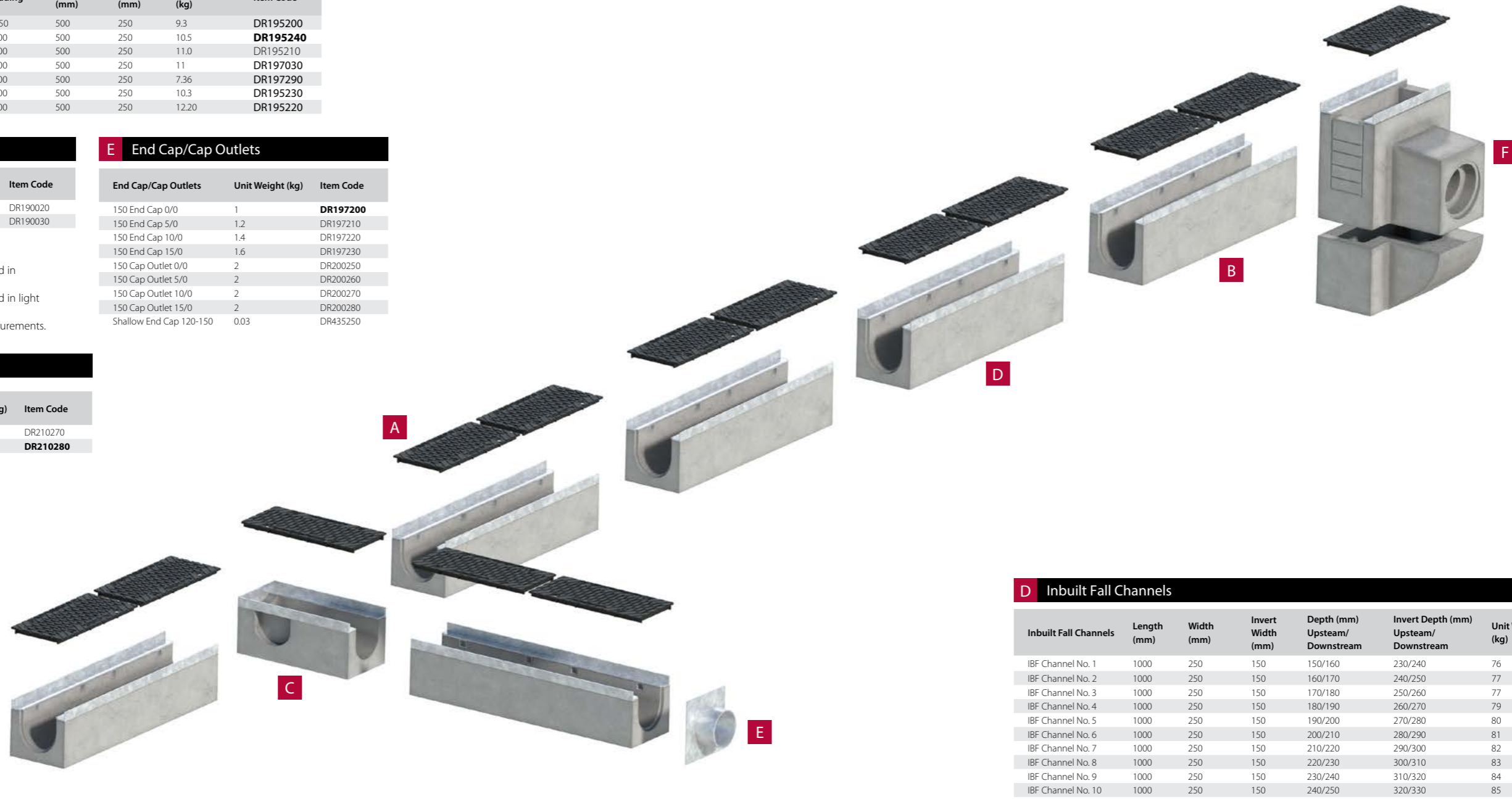
Birco 150 with reference numbers indicated in **bold black** are available ex-stock.  
 Birco 150 with reference numbers indicated in light are manufactured to order.  
 Contact our sales office to discuss your requirements.

## E End Cap/Cap Outlets

End Cap/Cap Outlets	Unit Weight (kg)	Item Code
150 End Cap 0/0	1	<b>DR197200</b>
150 End Cap 5/0	1.2	DR197210
150 End Cap 10/0	1.4	DR197220
150 End Cap 15/0	1.6	DR197230
150 Cap Outlet 0/0	2	DR200250
150 Cap Outlet 5/0	2	DR200260
150 Cap Outlet 10/0	2	DR200270
150 Cap Outlet 15/0	2	DR200280
Shallow End Cap 120-150	0.03	DR435250

## F Outfalls

Outfalls	Unit Weight (kg)	Item Code
150 End Outfall 100mm	140	DR210270
150 Side Outfall 150mm	158	<b>DR210280</b>



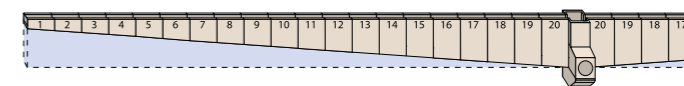
## B Constant Depth Channels

Constant Depth Channels	Length (mm)	Width (mm)	Invert Width (mm)	Depth (mm)	Invert Depth (mm)	Unit Weight (kg)	Item Code
Channel 0/0	1000	250	150	230	150	76	<b>DR160200</b>
Channel 5/0	1000	250	150	280	200	88	<b>DR160205</b>
Channel 10/0	1000	250	150	330	250	100	DR160210
Channel 15/0	1000	250	150	380	300	112	DR160215
Channel 20/0	1000	250	150	430	350	124	DR160220
Channel 0/0	500	250	150	230	150	38	DR170206
Channel 5/0	500	250	150	280	200	44	DR170226
Channel 10/0	500	250	150	330	250	50	DR170236
Channel 15/0	500	250	150	380	300	45	DR170246
Shallow 120	1000	250	150	120	50		DR430460
Shallow 150	1000	250	150	150	80		DR430470
Shallow 200	1000	250	150	200	130		DR430480

## D Inbuilt Fall Channels

Inbuilt Fall Channels	Length (mm)	Width (mm)	Invert Width (mm)	Depth (mm) Upstream/Downstream	Invert Depth (mm) Upstream/Downstream	Unit Weight (kg)	Item Code
IBF Channel No. 1	1000	250	150	150/160	230/240	76	DR180010
IBF Channel No. 2	1000	250	150	160/170	240/250	77	DR180020
IBF Channel No. 3	1000	250	150	170/180	250/260	77	DR180030
IBF Channel No. 4	1000	250	150	180/190	260/270	79	DR180040
IBF Channel No. 5	1000	250	150	190/200	270/280	80	DR180050
IBF Channel No. 6	1000	250	150	200/210	280/290	81	DR180060
IBF Channel No. 7	1000	250	150	210/220	290/300	82	DR180070
IBF Channel No. 8	1000	250	150	220/230	300/310	83	DR180080
IBF Channel No. 9	1000	250	150	230/240	310/320	84	DR180090
IBF Channel No. 10	1000	250	150	240/250	320/330	85	DR180100
IBF Channel No. 11	1000	250	150	250/260	330/340	86	DR180110
IBF Channel No. 12	1000	250	150	260/270	340/350	87	DR180120
IBF Channel No. 13	1000	250	150	270/280	350/360	88	DR180130
IBF Channel No. 14	1000	250	150	280/290	360/370	89	DR180140
IBF Channel No. 15	1000	250	150	290/300	370/380	90	DR180150
IBF Channel No. 16	1000	250	150	300/310	380/390	91	DR180160
IBF Channel No. 17	1000	250	150	310/320	390/400	92	DR180170
IBF Channel No. 18	1000	250	150	320/330	400/410	93	DR180180
IBF Channel No. 19	1000	250	150	330/340	410/420	94	DR180190
IBF Channel No. 20	1000	250	150	340/350	420/430	95	DR180200

Inbuilt Fall



Birco 150 Channels are available with inbuilt falls. Inbuilt Fall Channels increase drainage discharge capacity by improving flow rates and thereby increasing the overall discharge capacity of the system. Inbuilt fall channels are 1000mm long.