

bollards

Unique Style, Durability, Strength

ASF's newest range of high quality Stainless Steel bollards gives Architects and Specifiers the chance to choose clean, ultra modern designs that offer long life and low maintenance.

All bollard designs can be increased or decreased in height or root-length on request. Circular section bollards can be supplied in diameters of 76mm, 101mm, 114mm, 154mm or 219mm. Triangular, Hexagonal or Rectangular bollards can be manufactured to any dimensions.

the original
material in a
world of copies
and imitations

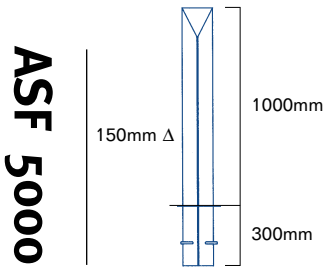
▼ ASF 5009 Bollard

Satin Brushed with Highly Polished visibility band.

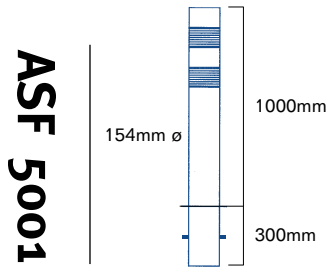




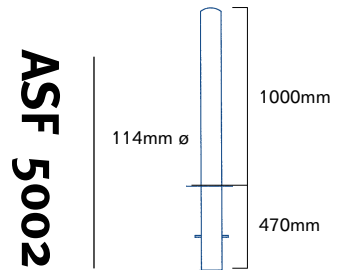
▲ Shown 150mm Δ, 1000mm high.
Satin Brush Polished.



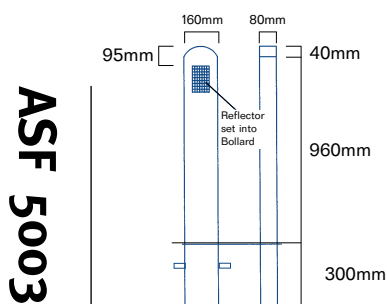
▲ Shown 154mm ø, 1000mm high.
Highly Polished with contrasting Satin Brush Polished Bands.



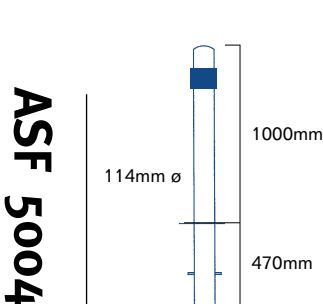
▲ Shown 114mm ø, 1000mm high.
Satin Brush Polished.



▲ Shown 160mm x 80mm, 1000mm high.
Satin Brush Polished with red reflector.



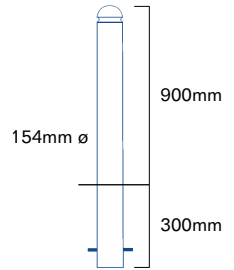
▲ Shown 114mm ø, 1000mm high.
Satin Brush Polished with nylon coated blue visibility band.



- Material** Grade 316 stainless steel to BS 1449 part 2 1983 as standard.
- Finish** Highly Polished, Satin Brush Polished, Bead Blasted or a combination of any of these are available. Products can also be polyester or nylon coated to any RAL/BS colour.
- Versions** Root-Base or Base-Plate Fixing. Removable, Fold-Down or Trough Type can be specified.
- Add-ons** Eye Bolts can be fitted for the attachment of chains, which can also be supplied in stainless steel.
- Ram-Raid** All styles of bollards can be supplied with a heavy duty internal steel sleeve to increase resistance to ram-raiding. This usually extends deeper into the foundation.
- Insignia** Borough/City/Town Coat of Arms, Crests, Logos etc. can be etched or cut into any bollard.
- Packaging** All products are vacuum sealed in polythene offering protection until final installation.



ASF 5005



a vision of
elegance



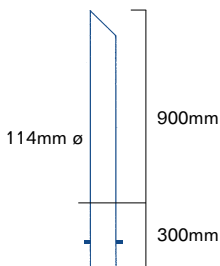
All bollard designs can be increased or decreased in height or root-length on request. Circular section bollards can be supplied in diameters of 76mm, 101mm, 114mm, 154mm or 219mm. Triangular, Hexagonal or Rectangular bollards can be manufactured to any dimensions.

▲ Shown 154mm \varnothing , 900mm high.
Red polyester powder coated with
Highly Polished top.



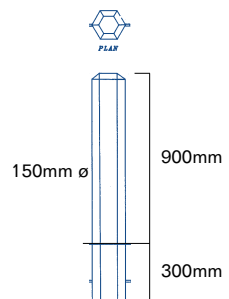
▲ Shown 114mm \varnothing , 900mm high.
Satin Brush Polished. Also with cover plate.

ASF 5006



▲ Shown 150mm \varnothing , 900mm high.
Highly Polished Finish.

ASF 5007



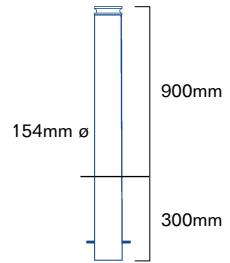


Information Required When Specifying

- Reference
- Height
- Diameter/Width
- Root-Base or Base-Plate Fixing
- Finish



ASF 5008



▲ Shown 114mm \varnothing , 900mm high.
Red polyester powder coated with Highly Polished top.

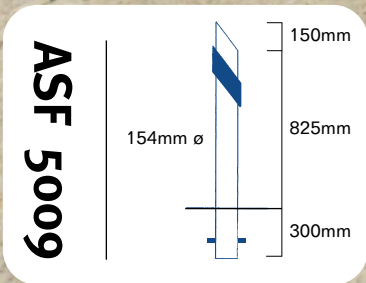


▲ Shown 154mm \varnothing , 950mm high.
Highly Polished Finish.

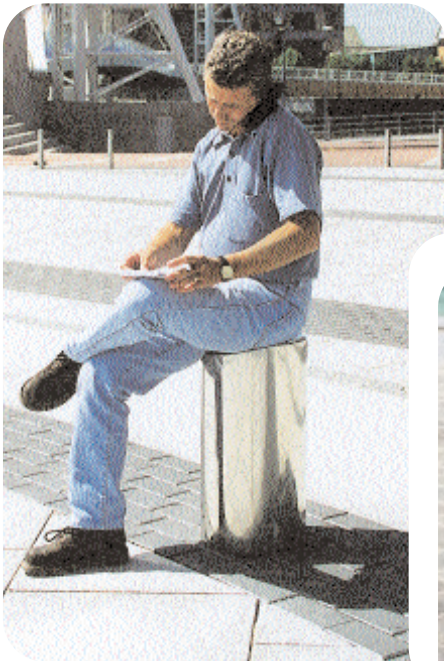
▼ Shown 219mm \varnothing , 1100mm high.
Bead blasted with Highly Polished tops.



▲ Shown Satin Brush Finish with Nylon Coated Visibility Band in Blue.



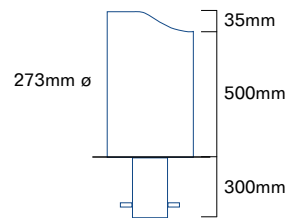
Sit Down Bollards



This unique 'Sit Down' bollard has a contoured top which provides a comfortable resting area for sitting. They can be used to create an interesting seating area as well as forming vehicular restriction.



ASF 5020



▲ Shown 273mm ϕ , 535mm high.
Satin Brush Finish.

Telescopic Bollards

Stainless Steel Bollards are increasingly being specified because of their simplicity of design and contemporary good looks. Whilst being of anti-ram strength it remains simple and easy to use, eliminating the problems experienced with collapsible and removable posts. When used in conjunction with our fixed Stainless Steel Bollard designs, this provides a consistent and aesthetically pleasing solution to perimeter protection.

Operating Instructions

To Lock

Lift lid, draw up inner post to full extent, rotate handle clockwise a quarter turn, press down push button lock.

To unlock

Release push button lock with key, rotate handle a quarter turn anti-clockwise. When lowering post, do so in a controlled manner. Do not allow it to free fall into base.

Weekly maintenance

Keep sliding post clean, flush out and lubricate lock with WD40 or similar. Clear debris from hinge box.

Total weight 44Kg

Operating weight 17Kg

Options Available in a range of diameters and heights.
Red and white reflective stripe optional.



ASF 5050

