



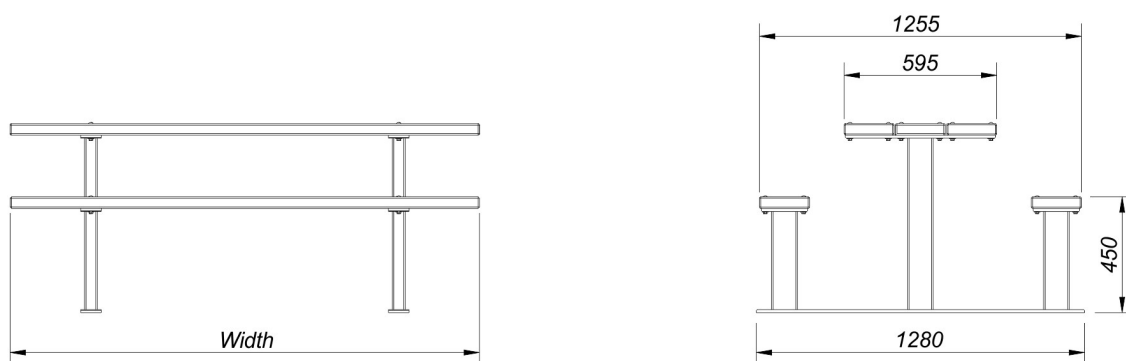
# NEPTUNE

CONTEMPORARY AND TRADITIONAL STREET FURNITURE



## Beaufort Picnic Table

Our Beaufort street furniture range is built around heavy section steel frames with a powder coat finish combined with 45 x 195mm hardwood.



**Dimensions** Available in 1500, 1800, 2000 and 2800mm widths. (sizes are approximate)

**Metal** All metalwork is finished with an exterior grade base and top coat to either RAL 9005 (black) or RAL 6005 (green) as standard or to virtually any BS or RAL reference if required

**Wood** All woodwork is treated with an exterior grade base coat and two top coats achieving a colour similar to RAL 8001

**Fixing** Above and below ground fixing options available for hard and soft ground. Fixings can be supplied

**Delivery** Each picnic table is supplied flat packed and delivered on a pallet

**Head Office:** Neptune Street Furniture, Time House, 19 Hillsons Road, Botley, Hampshire, SO30 2DY

**Phone:** 01962 777799 - **Fax:** 01962 777723

**Email:** enquiries@nofl.co.uk - **Website:** www.nofl.co.uk