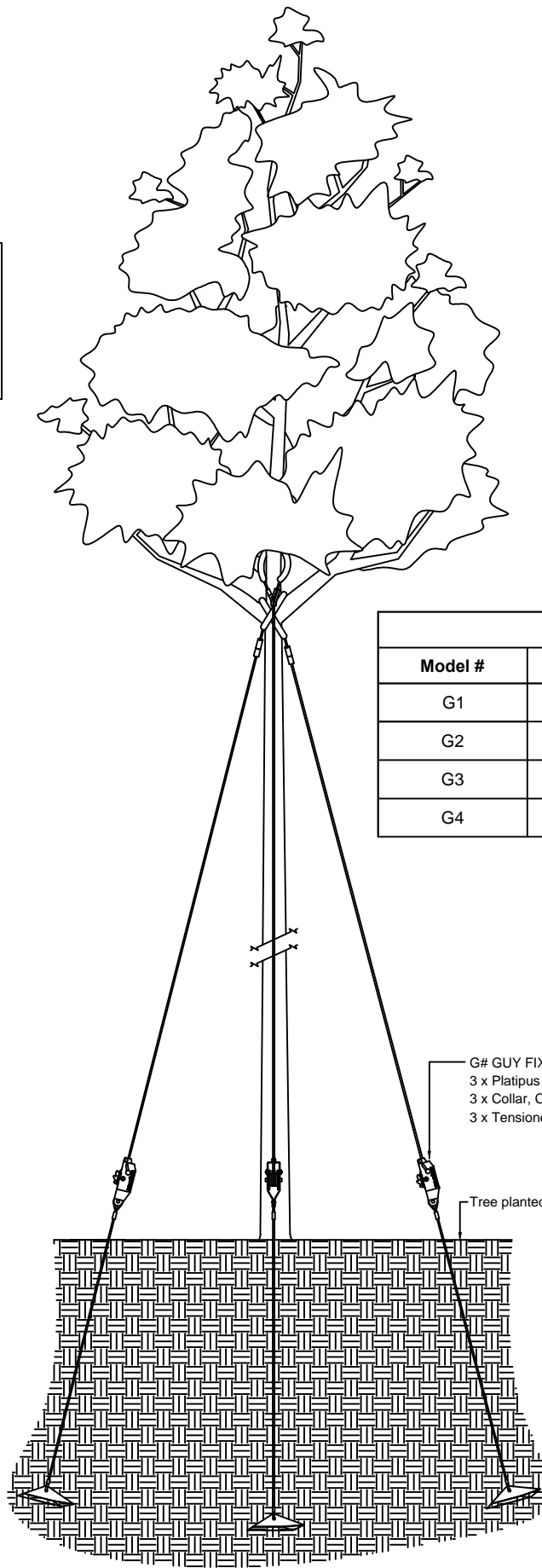


NOTES

1. DO NOT SCALE FROM THIS DRAWING
2. THIS DRAWING IS CONSTRUCTED USING LAYERS WHICH CAN BE TURNED ON OR OFF AS REQUIRED
3. DUE TO SETTLEMENT ALL TREES SHOULD BE RE-TENSIONED AFTER PLANTING



Model List		
Model #	Height - m	Circumference - cm
G1	2.5m - 4.5m	12cm - 25cm
G2	4.5m - 7.5m	25cm - 45cm
G3	7.5m - 12m	45cm - 75cm
G4	12m+	75cm+

© 2015, PLATIPUS ANCHORS

GUY FIXING SYSTEM

DRAWN/DATE
RKNUTSEN 24SEP15

This guidance is based on our understanding of your requirements and no reliance should be placed on any specifications, sketches, plans or drawings provided by us or our representatives. You should seek appropriate advice from your own professional advisers since we shall not be liable for any loss or damage, consequential or otherwise, for any claims made by any third party for design guidance given by us or our representatives

CHECKED/DATE
RKNUTSEN 06OCT15

APPROVED/DATE

PLATIPUS
TREE ANCHORING SYSTEMS

Platipus Anchors Limited,
Kingsfield Business Centre, Philanthropic Road,
Redhill RH1 4DP, England.
Tel: +44 (0) 1737 762300 Fax: +44 (0) 1737 773395
Web: www.platipus-anchors.com
E-Mail: info@platipus-anchors.com

DRAWING NUMBER:

UK 400 - 8

© COPYRIGHT PLATIPUS ANCHORS, LTD.
This drawing has copyright and may not be copied in whole or part or used for any purpose other than that for which it is supplied without express written consent.