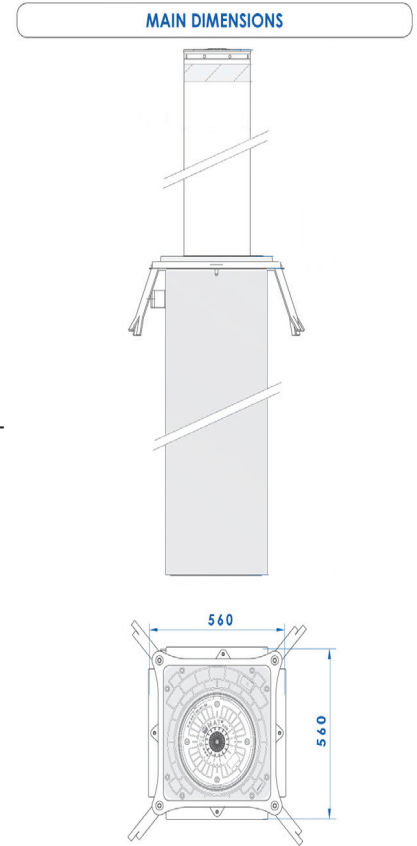




P Series Automatic Rising Bollard

127/275mm diameter and 600/800mm height

Galvanised or Stainless Steel



Designed to control the access of vehicles to residential areas and commercial properties, AUTOPA's Automatic Bollards are manufactured from high quality stainless or galvanised steel. These bollards are available in diameters of 127mm or 275mm and heights of 600mm or 800mm to suit customer needs.

All AUTOPA Automatic Bollards are compatible with a variety of different control mechanisms including remote controls, keypads and swipe cards. AUTOPA recommends that bollards are placed no further than 1,200mm apart to ensure no vehicle may pass between them.

<u>Part Number</u>	<u>Description</u>	<u>Weight (kg)</u>
138 105 215	127mm Diameter, 600mm Height Galvanised Steel	80.0kg
138 105 220	127mm Diameter, 600mm Height Stainless Steel	80.0kg
138 105 205	127mm Diameter, 800mm Height Galvanised Steel	90.0kg
138 105 210	127m Diameter, 800mm height Stainless Steel	90.0kg
138 105 225	275mm Diameter, 600mm Height Galvanised Steel	114.0kg
138 105 230	275mm Diameter, 600mm Height Stainless Steel	114.0kg
138 105 235	275mm Diameter, 800mm Height Galvanised Steel	124.0kg
138 105 240	275mm Diameter, 800mm Height Stainless Steel	124.0kg

Product details

- Stainless Steel (grade 304) thickness 6mm
- Galvanised steel thickness 6mm
- Housing Unit width and depth 560mm x 560mm
- Housing Unit depth max 1100mm
- 4.0-6.0 seconds operating speed

Installation & use

All Automatic Bollard systems must only be installed by experienced and trained personnel. The bollard housing unit requires an excavated hole (no less than 1100mm by 560mm²) for installation. Provision for control and power cabling should be made through plastic ducting. This product is guaranteed for 12 months (if installed, operated correctly).



www.autopa.co.uk
+44 (0)1788 550556

AUTOPA Limited
Cottage Leap, Rugby, Warwickshire CV21 3XP

