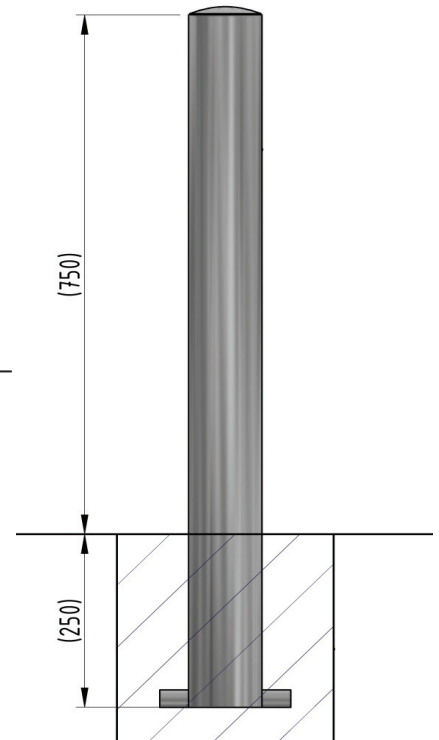




Fixed Post 750mm Above Ground 114mm - 193mm Diameter Galvanised



The galvanised mild steel range of 750mm tall fixed posts are suitable for a range of applications and are ideal as a complement to the Autopa ranges of Parking Posts, RemovaPosts and RetractaPosts.

The round posts are available in 60mm - 193mm diameter tube and come finished with a welded steel cap.

The Fixed Post is available with extended legs for casting into concrete or a flange plate for bolting down.

Removable and colour coated versions also available.

<u>Part Number</u>	<u>Diameter and Fixing Detail</u>
138 121 423	114mm (Concrete In)
138 121 424	114mm (Bolt Down)
138 121 553	127mm (Concrete In)
138 121 554	127mm (Bolt Down)
138 121 623	139mm (Concrete In)
138 121 626	139mm (Bolt Down)
138 121 674	152mm (Concrete In)
138 121 654	152mm (Bolt Down)
138 121 723	168mm (Concrete In)
138 121 724	168mm (Bolt Down)
138 121 783	193mm (Concrete In)
138 121 784	193mm (Bolt Down)

Product details

- 750mm tall
- Cast in posts 250mm below ground
- Colour coated options available extra
- Reflective bands available

Installation & use

Bolt down Fixed Posts require bolting down to a suitable concrete surface (no less than 400mm³).

48mm- 114mm three M12 bolts, 139mm - 193mm four M16 bolts.

Concrete In Fixed Posts are supplied with welded fixing spikes to ensure firm ground anchorage.

Concrete In Fixed Posts require an excavated hole (no less than 300mm deep) for installation.

This product is guaranteed for 12 months (if installed and used correctly).

www.autopa.co.uk
+44 (0)1788 550556



AUTOPA Limited
Cottage Leap, Rugby, Warwickshire CV21 3XP



FM 31071 EMS 503166 OHS 552103