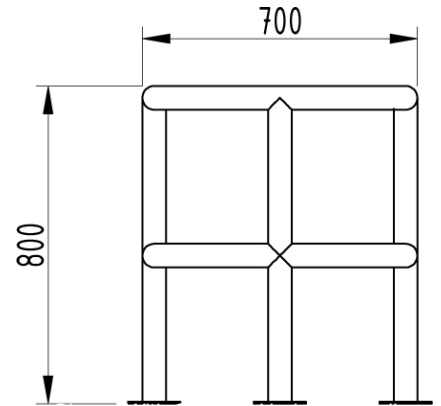
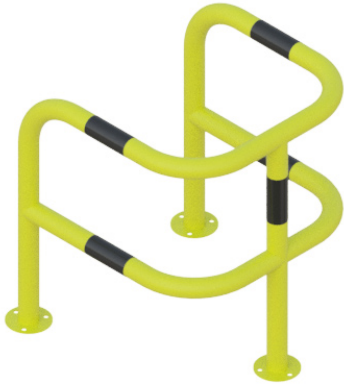




ACP1 Column Protector

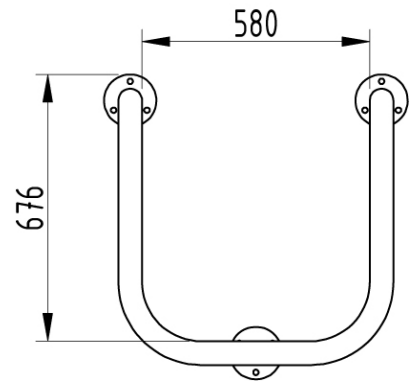
60mm Diameter

Galvanised or Galvanised & Colour



Functional and robust in design, AUTOPA's range of column protectors are designed to protect corners, columns, and other vulnerable pillars from vehicle damage in a busy industrial environment. Our Column Protectors are manufactured from mild steel and galvanised to ensure their longevity. Suitable for both internal and external use.

Column Protectors are available in galvanised and galvanised & coated (RAL/BS numbers must be specified at time of order). Optional reflective tape can be added to maximise visibility.



Yellow & Black includes 150mm wide reflective black bands

<u>Part Number</u>	<u>Description</u>	<u>Weight (kg)</u>
138 177 710	Galvanised, Concrete in	28
138 177 705	Galvanised, Bolt down	25
138 177 711	Galvanised & Colour, Concrete in	28
138 177 706	Galvanised & Colour, Bolt down	25
138 177 710BY	Galvanised & Coated Yellow with Black Bands, Concrete In	28
138 177 705BY	Galvanised & Coated Yellow with Black Bands, Bolt Down	25

Product details

- 800mm x 700mm (Height x External Width)
- 580mm (Internal Width)
- 60mm Diameter tube
- Concrete in 300mm (below ground)

Installation & use

Bolt down Column Protectors require bolting down to a suitable concrete surface (no less than 300mm³ per leg) using M12 bolts.

Concrete in Column Protectors require a hole of at least 300mm deep per leg for casting into concrete.

Concrete in versions are supplied with welded fixing spikes to ensure firm ground anchorage.

This product is guaranteed for 12 months (if installed and used correctly).



www.autopa.co.uk
+44 (0)1788 550556

AUTOPA Limited
Cottage Leap, Rugby, Warwickshire CV21 3XP

