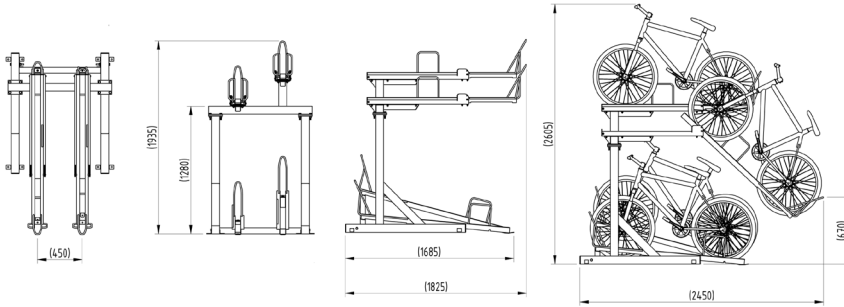




# Double Stack Cycle Rack Galvanised



The VELOPA Double Stack Cycle Rack is designed to maximise the number of bicycles that can be stored in an allotted area. Two wheel grippers at either end of the trough firmly hold the top level bicycle in place.

Manually operated, the top level effortlessly slides between the upper and lower positions; large handles are positioned either side of the upper trough allowing cyclists to easily manoeuvre their bicycles into the upper racks.

Manufactured from galvanised mild steel to ensure longevity, this reliable design is ideal for intensive use. Standard units will house between four and ten bicycles; longer runs can be created by combining units as required.



<u>Part Number</u>	<u>Description</u>	<u>Weight (kg)</u>
138 201 004	4 Holder Double Stack Cycle Rack	126kg
138 201 006	6 Holder Double Stack Cycle Rack	163kg
138 201 008	8 Holder Double Stack Cycle Rack	203kg
138 201 010	10 Holder Double Stack Cycle Rack	240kg

## Product details

- 1935mm x 1825mm (height x width)
- 450mm distance between holders (centre to centre)
- Length varies per number of cycle holders
- Price excludes fixing down bolts

## Installation & use

Available Bolt down only - must be bolted to a suitable level concrete surface using eight M12 anchor bolts  
10mm anchor bolts are required for fixing lower holders - quantity dependent on number of holders

Some on-site assembly will be required

This product is guaranteed for 12 months (if installed and used correctly)



[www.autopa.co.uk](http://www.autopa.co.uk)  
+44 (0)1788 550556

AUTOPA Limited  
Cottage Leap, Rugby, Warwickshire CV21 3XP

