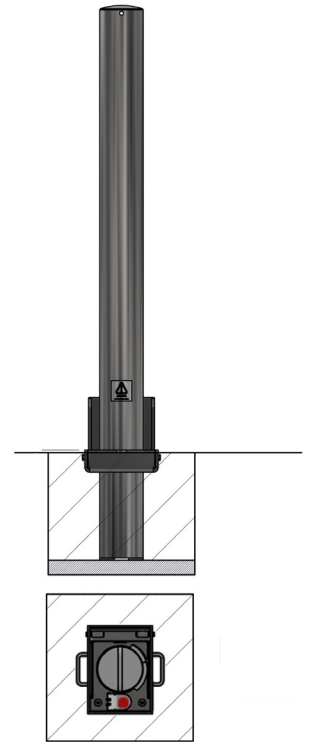




RGP 900 900mm Galvanised or Galvanised & Colour



The RGP (removable ground post) offers a highly effective and robust way to protect premises and vehicles. The post is 900mm above ground, when removed the socket is covered using the integral lid. The post is lockable by rotating the post 45° and then pressing the high-security push button 7-pin security lock. The post is unlocked using the supplied key, rotated and then removed.

The RGP is ideal for protecting vehicle forecourts, commercial premises, car parks and domestic driveways.

Tested and approved by Sold Secure.

This product has achieved Secure by Design status.

Part Number	Description	Lift Weight (kg)	Weight (kg)
138 100 741	76mm Galvanised - Removable	7kg	13kg
138 100 756	90mm Galvanised - Removable	8kg	16kg
138 121 309K	101mm Galvanised - Removable	9kg	18kg
138 121 425K	114mm Galvanised - Removable	12kg	21kg
138 121 621K	139mm Galvanised - Removable	20kg	35kg
138 121 698	168mm Galvanised - Removable	24kg	39kg
138 121 796	193mm Galvanised - Removable	28kg	43kg
138 100 649	120mm x 120mm Galvanised - Removable	21kg	36kg



Secured by Design



Product details

- 900mm - (above ground)
- Socket - 270mm (below ground)
- 3mm wall thickness - 101mm-114mm
- Red/white chevron tape available extra
- Other colours available on request
- 5mm wall thickness - 139mm and above

Installation & use

Bolt down to a suitable concrete surface.

Telescopic, removable and concrete in are supplied with welded fixing spikes to ensure firm ground anchorage into concrete.

Telescopic, removable and concrete in require a suitable excavated hole for installing into concrete.

Products are guaranteed for 12 months (if installed and used correctly).



www.autopa.co.uk
+44 (0)1788 550556

AUTOPA Limited
Cottage Leap, Rugby, Warwickshire CV21 3XP

