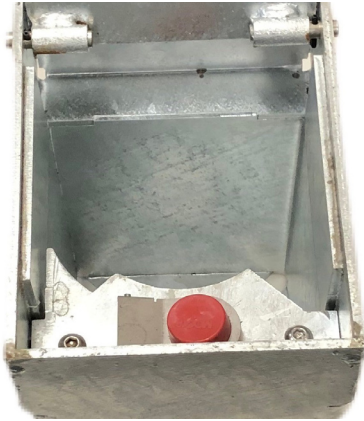




RGP 900 900mm Stainless Steel

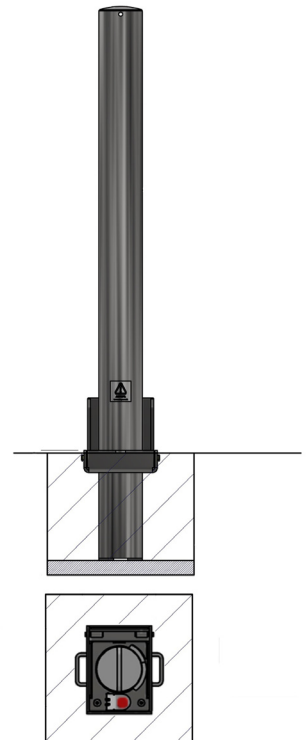


The RGP (removable ground post) offers a highly effective and robust way to protect premises and vehicles. The post is 900mm above ground, when removed the socket is covered using the integral lid. The post is lockable by rotating the post 45° and then pressing the high-security push button 7-pin security lock. The post is unlocked using the supplied key, rotated and then removed.

The RGP is ideal for protecting vehicle forecourts, commercial premises, car parks and domestic driveways.

Tested and approved by Sold Secure.

This product has achieved Secure by Design status.



<u>Part Number</u>	<u>Description</u>	<u>Lift Weight (kg)</u>	<u>Weight (kg)</u>
138 100 744	76mm Stainless Steel - Removable	5kg	11kg
138 100 759	90mm Stainless Steel - Removable	6kg	14kg
138 125 111K	101mm Stainless Steel - Removable	7kg	16kg
138 125 122K	114mm Stainless Steel - Removable	8kg	17kg
138 125 144K	139mm Stainless Steel - Removable	9kg	24kg
138 125 172K	168mm Stainless Steel - Removable	10kg	25kg



Secured by Design



Police Preferred Specification

Product details

- 900mm - (above ground)
- Socket - 270mm (below ground)
- 2mm wall thickness
- Red/white chevron tape available extra
- Grade 304

Installation & use

Bolt down to a suitable concrete surface.
Telescopic, removable and concrete in are supplied with welded fixing spikes to ensure firm ground anchorage into concrete.
Telescopic, removable and concrete in require a suitable excavated hole for installing into concrete.
Products are guaranteed for 12 months (if installed and used correctly).



www.autopa.co.uk
+44 (0)1788 550556

AUTOPA Limited
Cottage Leap, Rugby, Warwickshire CV21 3XP

