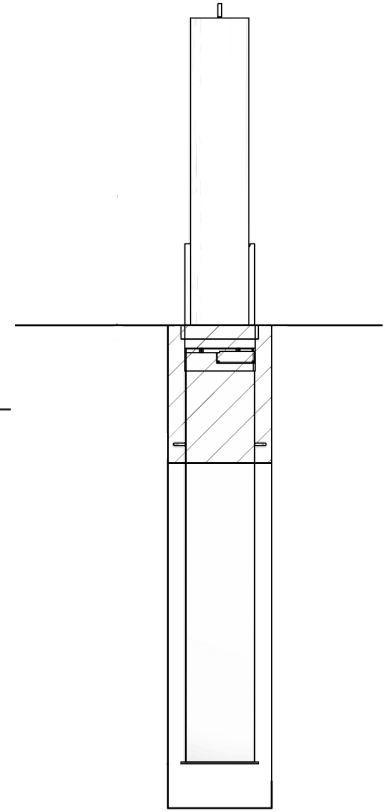
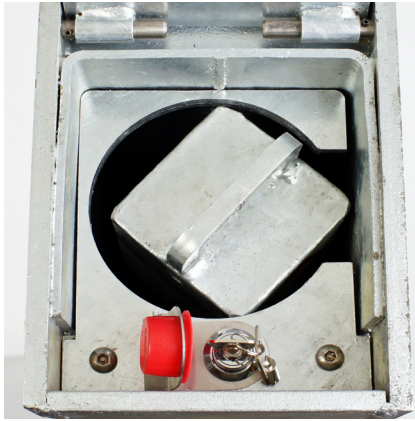




Square RetractaPost-GL 745

745mm

Galvanised or Galvanised & Colour



The Square RetractaPost-GL 745 offers a highly effective and robust way to protect premises and vehicles. The RetractaPost-GL is raised and lowered vertically. The post is 745mm above ground when raised and is fabricated from square mild steel tube which is then galvanised. When lowered the post is fully below ground and covered using the integral lid. The post is lockable in the raised position by rotating the post 45° and then pressing the high-security push button 7-pin security lock. The post is unlocked using the supplied key, rotated and then lowered.

The RetractaPost-GL is ideal for protecting vehicle forecourts, commercial premises, car parks and domestic driveways.

Tested and approved by Sold Secure.

This product has achieved Secure by Design status.

<u>Part Number</u>	<u>Description</u>	<u>Lift Weight (kg)</u>	<u>Weight (kg)</u>
138 130 381	60mm x 60mm Galvanised	5kg	18kg
138 130 386B	60mm x 60mm Galvanised & Black	5kg	18kg
138 130 386Y	60mm x 60mm Galvanised & Yellow	5kg	18kg
138 130 386	60mm x 60mm Galvanised & Colour	5kg	18kg
138 130 427	70mm x 70mm Galvanised	7kg	21kg
138 130 427B	70mm x 70mm Galvanised & Black	7kg	21kg
138 130 427Y	70mm x 70mm Galvanised & Yellow	7kg	21kg
138 130 427C	70mm x 70mm Galvanised & Colour	7kg	21kg
138 130 421	90mm x 90mm Galvanised	9kg	28kg
138 130 423B	90mm x 90mm Galvanised & Black	9kg	28kg
138 130 421Y	90mm x 90mm Galvanised & Yellow	9kg	28kg
138 130 423	90mm x 90mm Galvanised & Colour	9kg	28kg



Secured by Design



Police Preferred Specification

Product details

- 745mm (above ground when raised)
- Socket - 1070mm (below ground)
- 3mm wall thickness
- Red/white chevron tape available extra
- Other colours available on request

Installation & use

Bolt down to a suitable concrete surface.
 Telescopic, removable and concrete in are supplied with welded fixing spikes to ensure firm ground anchorage into concrete.
 Telescopic, removable and concrete in require a suitable excavated hole for installing into concrete.
 Products are guaranteed for 12 months (if installed and used correctly).



www.autopa.co.uk
 +44 (0)1788 550556

AUTOPA Limited
 Cottage Leap, Rugby, Warwickshire CV21 3XP

