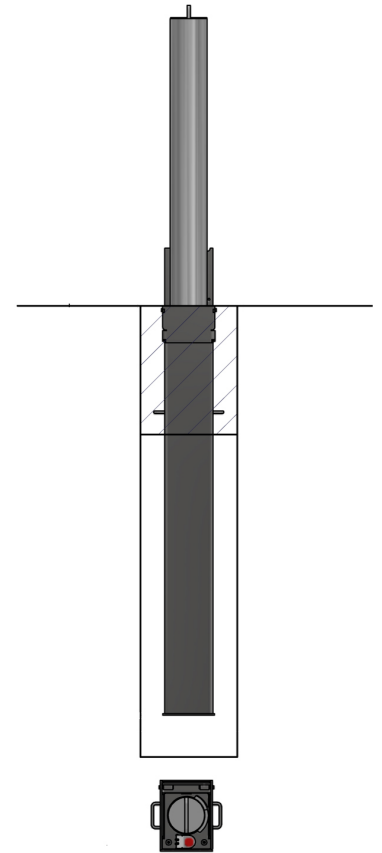
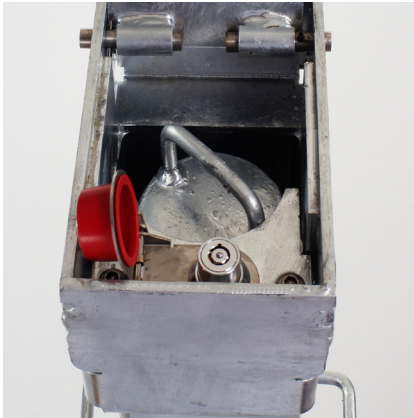




# RetractaPost-GL 900 Lift Assist 900mm Galvanised or Galvanised & Colour



The RetractaPost-GL offers a highly effective and robust way to protect premises and vehicles. The RetractaPost-GL is raised and lowered vertically. When raised the post is 900mm above ground, when lowered the post is fully below ground and covered using the integral lid. The post is lockable in the raised position by rotating the post 45° and then pressing the high-security push button 7-pin security lock. The post is unlocked using the supplied key, rotated and then lowered. Due to the heavy weight of the post, it incorporates AUTOPA's lift assist system, which greatly reduces the lift up weight.

The RetractaPost-GL is ideal for protecting vehicle forecourts, commercial premises, car parks and domestic driveways.

Tested and approved by Sold Secure.

This product has achieved Secure by Design status.

Part Number	Description	Lift Weight (kg)	Weight (kg)
138 130 450	114mm Galvanised with Lift Assist	4kg	41kg
138 130 452	114mm Galvanised & Yellow with Lift Assist	4kg	41kg
138 130 454	114mm Galvanised & Colour with Lift Assist	4kg	41kg
138 130 460	139mm Galvanised with Lift Assist	6kg	62kg
138 130 462	139mm Galvanised & Yellow with Lift Assist	6kg	62kg
138 130 461	139mm Galvanised & Colour with Lift Assist	6kg	62kg
138 130 470	168mm Galvanised with Lift Assist	8kg	65kg
138 130 473Y	168mm Galvanised & Yellow with Lift Assist	8kg	65kg
138 130 473	168mm Galvanised & Colour with Lift Assist	8kg	65kg
138 130 480	193mm Galvanised with Lift Assist	10kg	68kg
138 130 483Y	193mm Galvanised & Yellow with Lift Assist	10kg	68kg
138 130 483	193mm Galvanised & Colour with Lift Assist	10kg	68kg



Secured by Design



Police Preferred Specification

## Product details

- 900mm (above ground when raised)
- Socket - 1250mm (below ground)
- 3mm wall thickness - 114mm
- Red/white chevron tape available extra
- Other colours available on request
- 5mm wall thickness - 139mm & 193mm

## Installation & use

Bolt down to a suitable concrete surface.

Telescopic, removable and concrete in are supplied with welded fixing spikes to ensure firm ground anchorage into concrete.

Telescopic, removable and concrete in require a suitable excavated hole for installing into concrete.

Products are guaranteed for 12 months (if installed and used correctly).



[www.autopa.co.uk](http://www.autopa.co.uk)  
+44 (0)1788 550556

AUTOPA Limited  
Cottage Leap, Rugby, Warwickshire CV21 3XP

