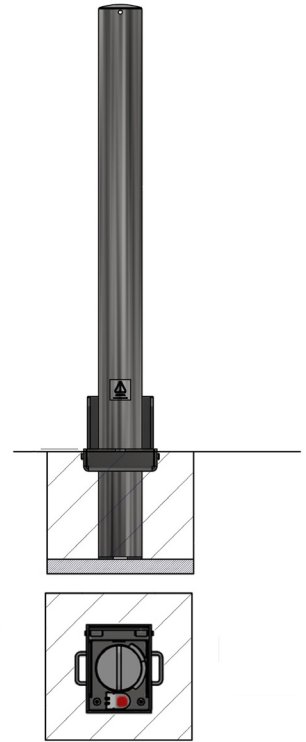
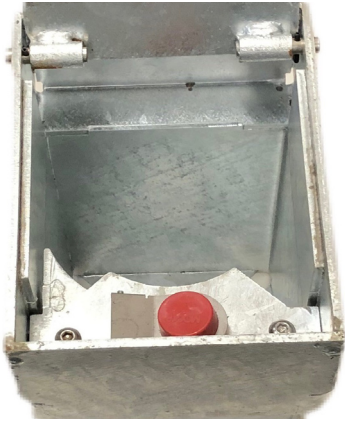




# Key Locking RGP 500 500mm Galvanised or Galvanised & Colour



The RGP (removable ground post) offers a highly effective and robust way to protect premises and vehicles. The post is 500mm above ground, when removed the socket is covered using the integral lid. The post is lockable by rotating the post 45° and then pressing the high-security push button 7-pin security lock. The post is unlocked using the supplied key, rotated and then removed.

The RGP is ideal for protecting vehicle forecourts, commercial premises, car parks and domestic driveways.

Tested and approved by Sold Secure.

This product has achieved Secure by Design status.

Part Number	Description	Lift Weight (kg)	Weight (kg)
138 100 731	76mm Galvanised - Removable	4kg	10kg
138 100 732Y	76mm Galvanised & Yellow - Removable	4kg	10kg
138 100 732	76mm Galvanised & Colour - Removable	4kg	10kg
138 100 746	90mm Galvanised - Removable	5kg	13kg
138 100 747Y	90mm Galvanised & Yellow - Removable	5kg	13kg
138 100 747	90mm Galvanised & Colour - Removable	5kg	13kg
138 100 721	60mm x 60mm Galvanised - Removable	4kg	10kg
138 100 761	90mm x 90mm Galvanised - Removable	6kg	15kg



Secured by Design



Police Preferred Specification

## Product details

- 500mm - (above ground)
- Socket - 270 mm (below ground)
- 3mm wall thickness
- Red/white chevron tape available extra
- Other colours available on request

## Installation & use

Bolt down to a suitable concrete surface.

Telescopic, removable and concrete in are supplied with welded fixing spikes to ensure firm ground anchorage into concrete.

Telescopic, removable and concrete in require a suitable excavated hole for installing into concrete.

Products are guaranteed for 12 months (if installed and used correctly).



[www.autopa.co.uk](http://www.autopa.co.uk)  
+44 (0)1788 550556

AUTOPA Limited  
Cottage Leap, Rugby, Warwickshire CV21 3XP

