

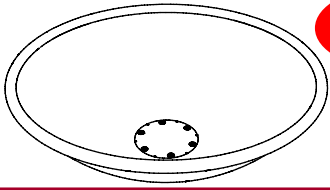
HAGS[®]

Rota-Roka RA401



© Playpower Inc
hags@hags.com
www.hags.com

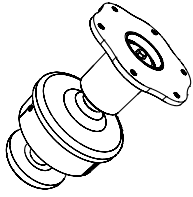
1



24Kg! 207103
x1
Ø1050 x 320mm

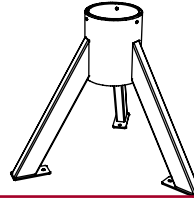


2



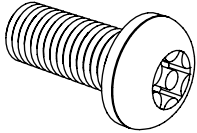
20Kg! 207100
x1
230 x 220 x 370mm

3



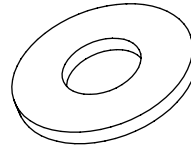
32Kg! 207302
x1
760 x 660 x 650mm

4



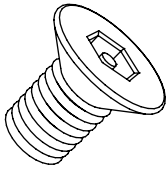
10121030
x3
M10 x 30

5



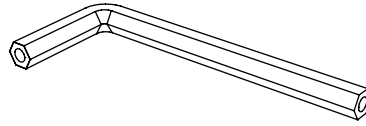
10304010
x3
Ø25 x Ø11 x 1.5mm

6



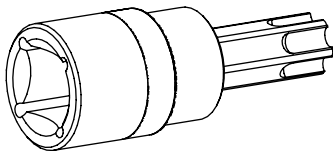
10131225
x6
M12 x 25

7



950110
x1
M12

8



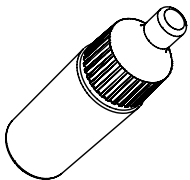
950100
x1
M10

9

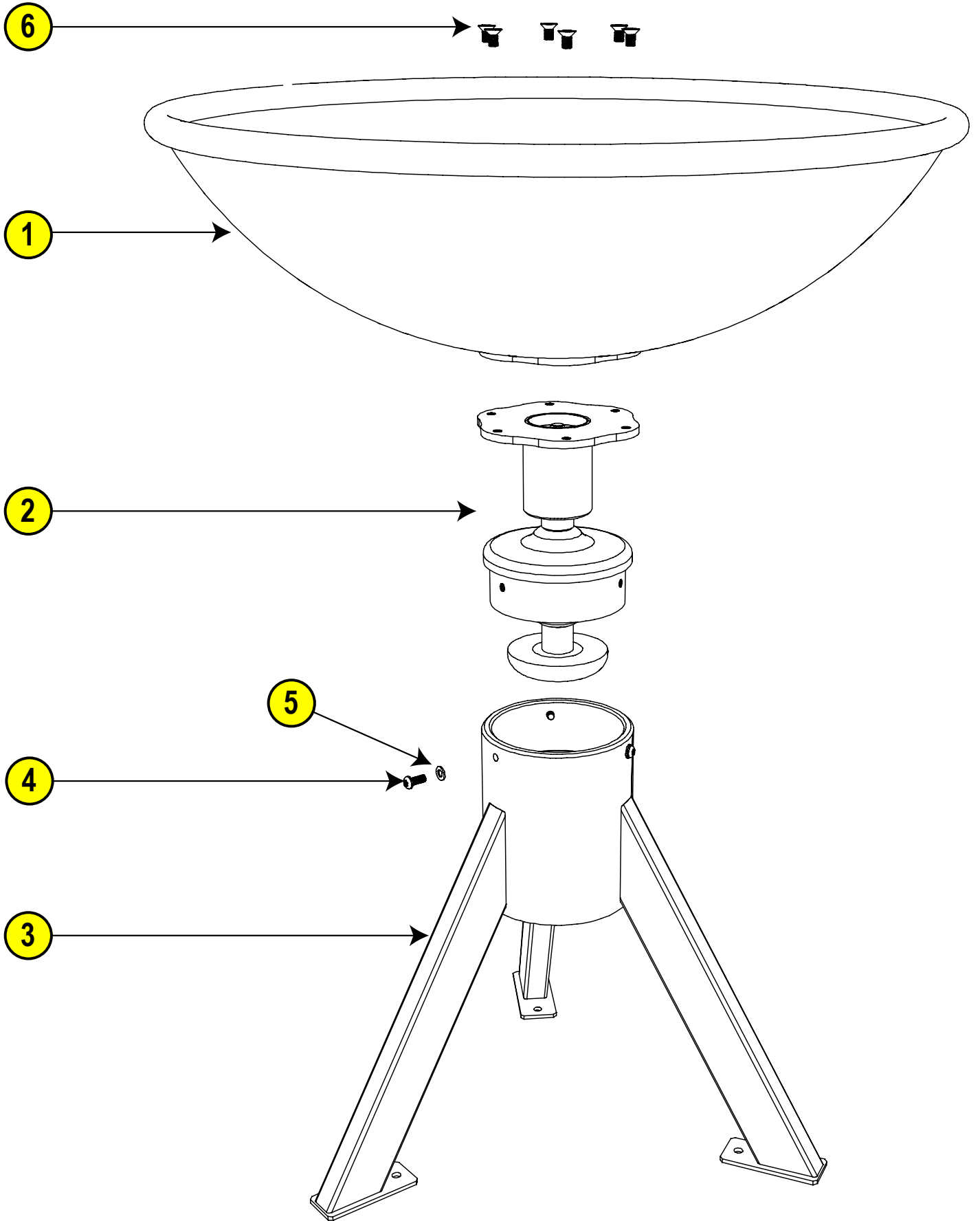


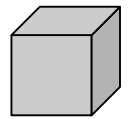
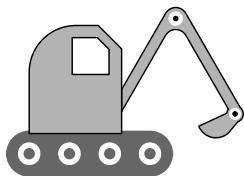
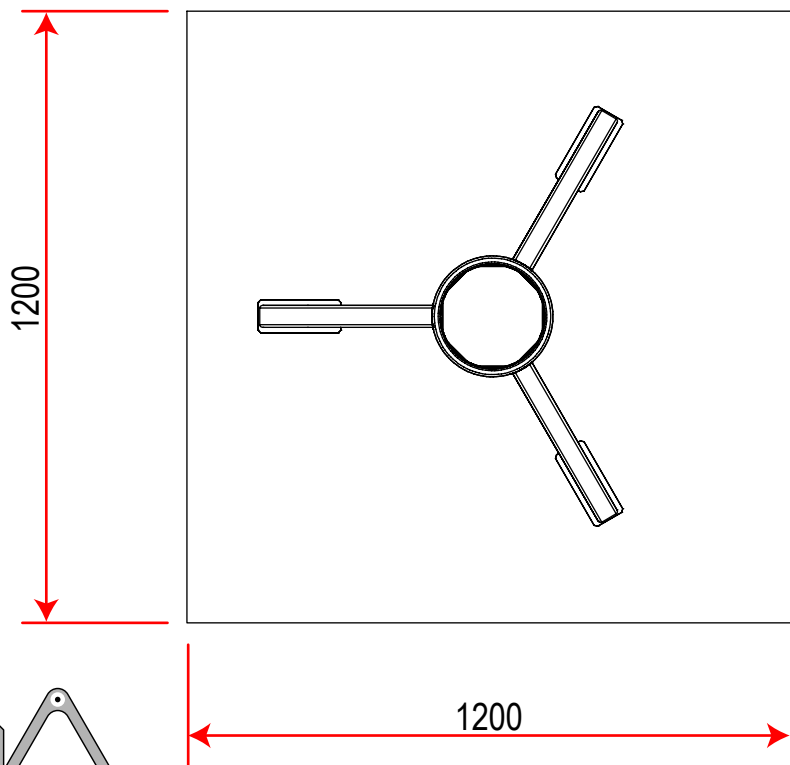
78804031
x1

10

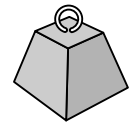


950040
x1





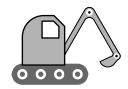
LxWxH (m)
1.05 x 1.05 x 0.64



kg
77



m³
0.40



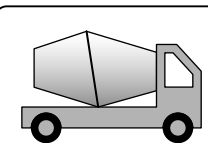
m²
8 x 8



EN1176
H=1.00m



X 2 = T
T = 3hr



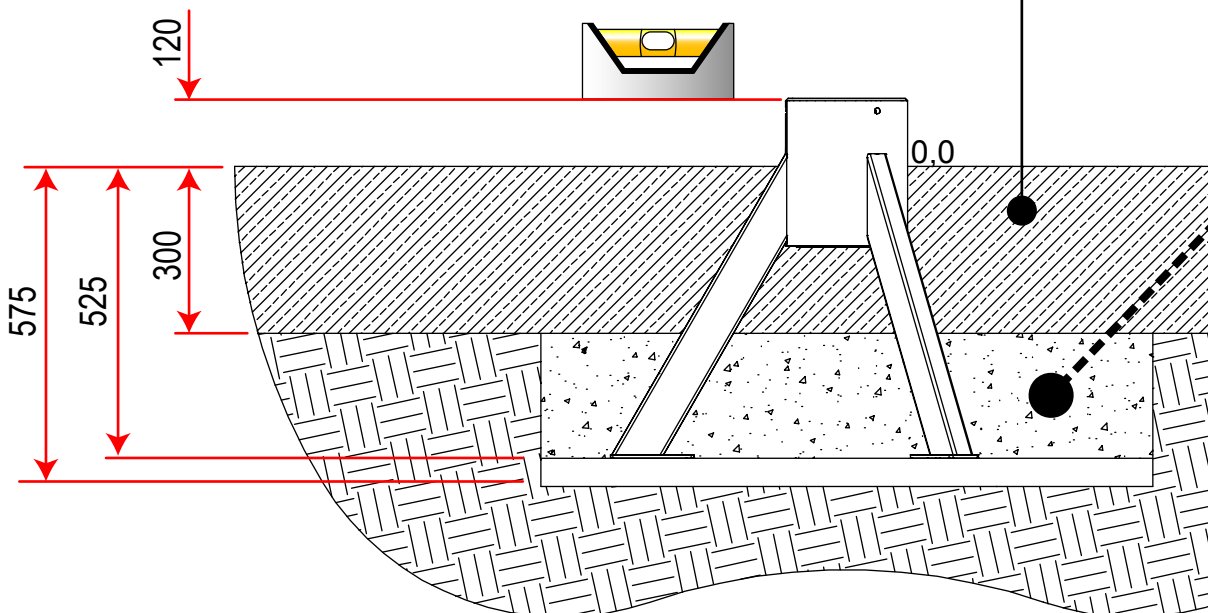
S2 (50mm)
≥C20-25

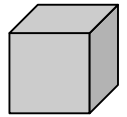
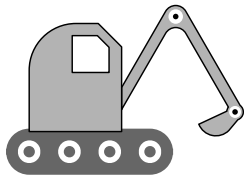
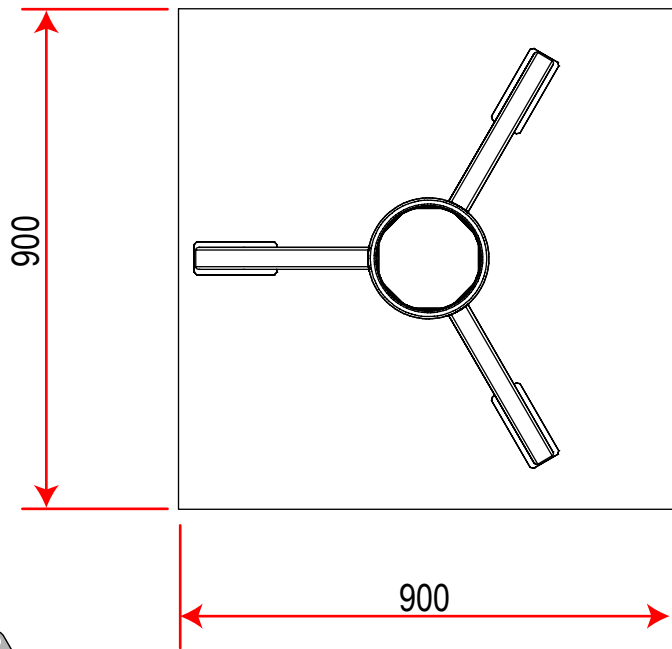


7 x 24h

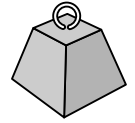


101





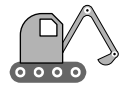
LxWxH (m)
1.05 x 1.05 x 0.64



kg
77



m³
0.43



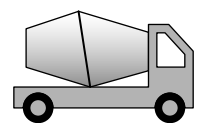
m²
8 x 8



EN1176
H=1.00m



X 2 = T
T = 3hr



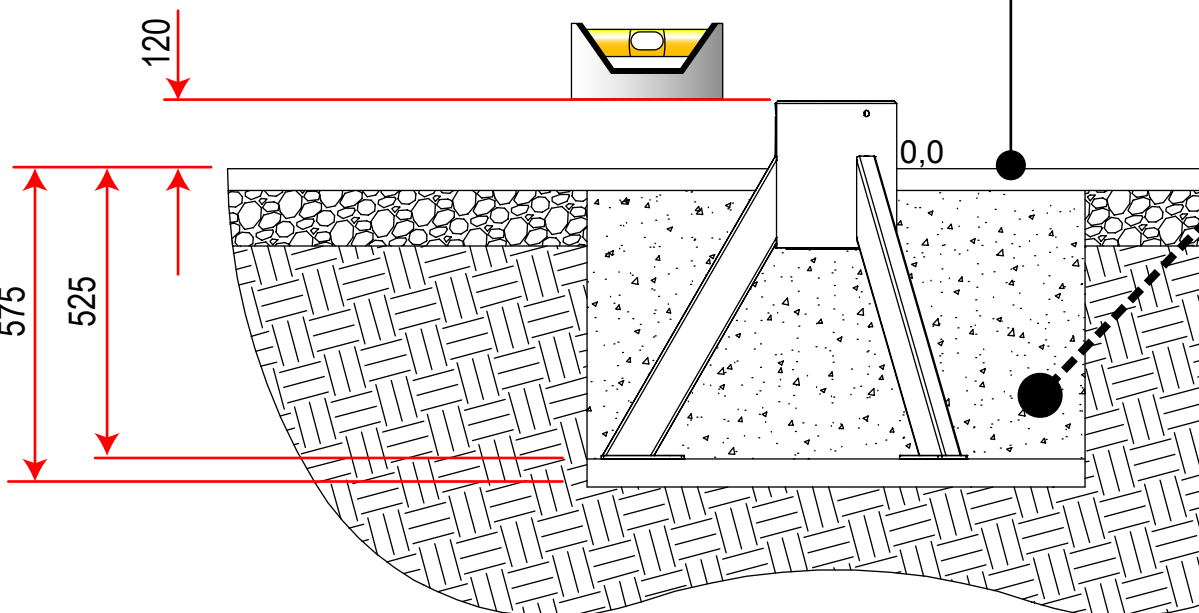
S2 (50mm)
≥C20-25

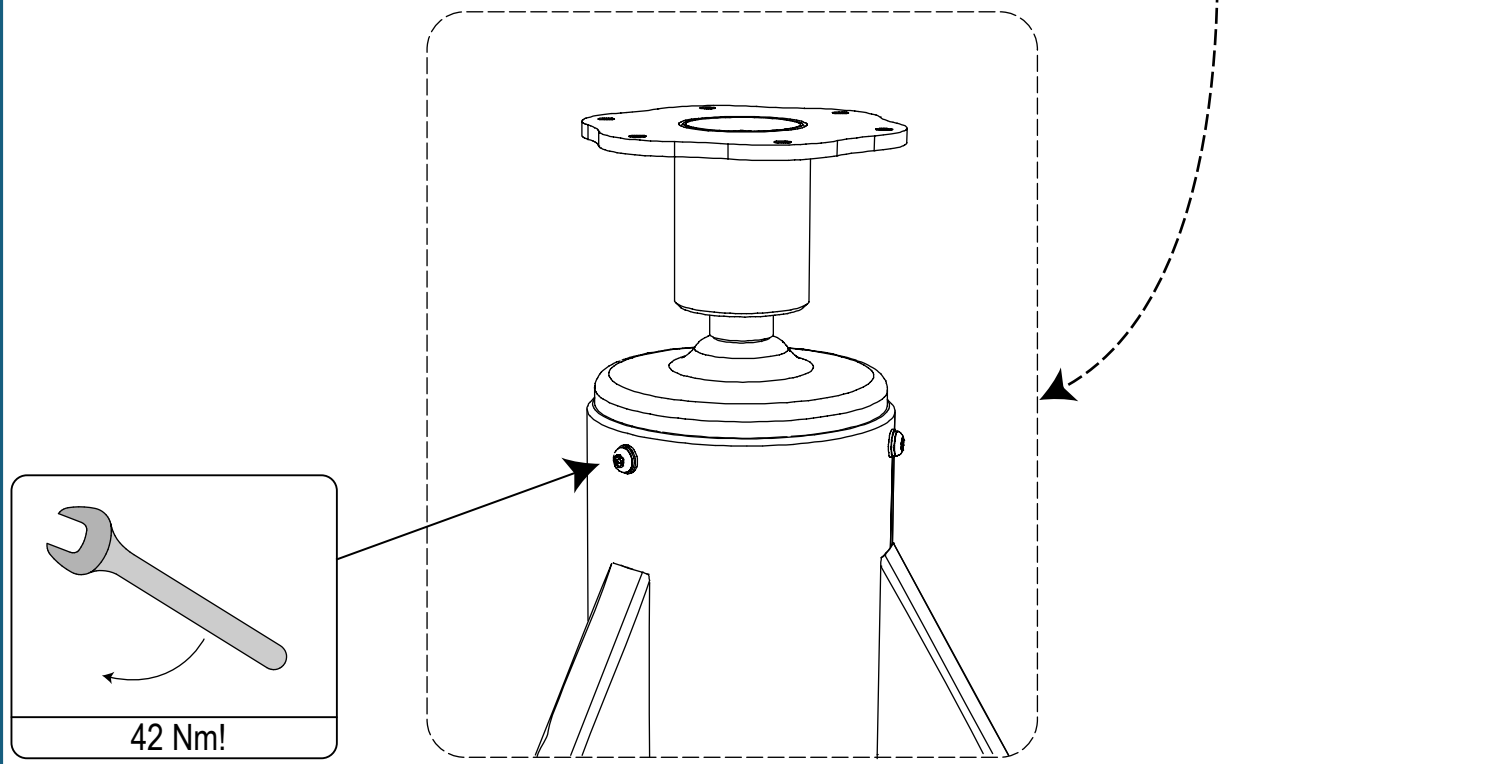
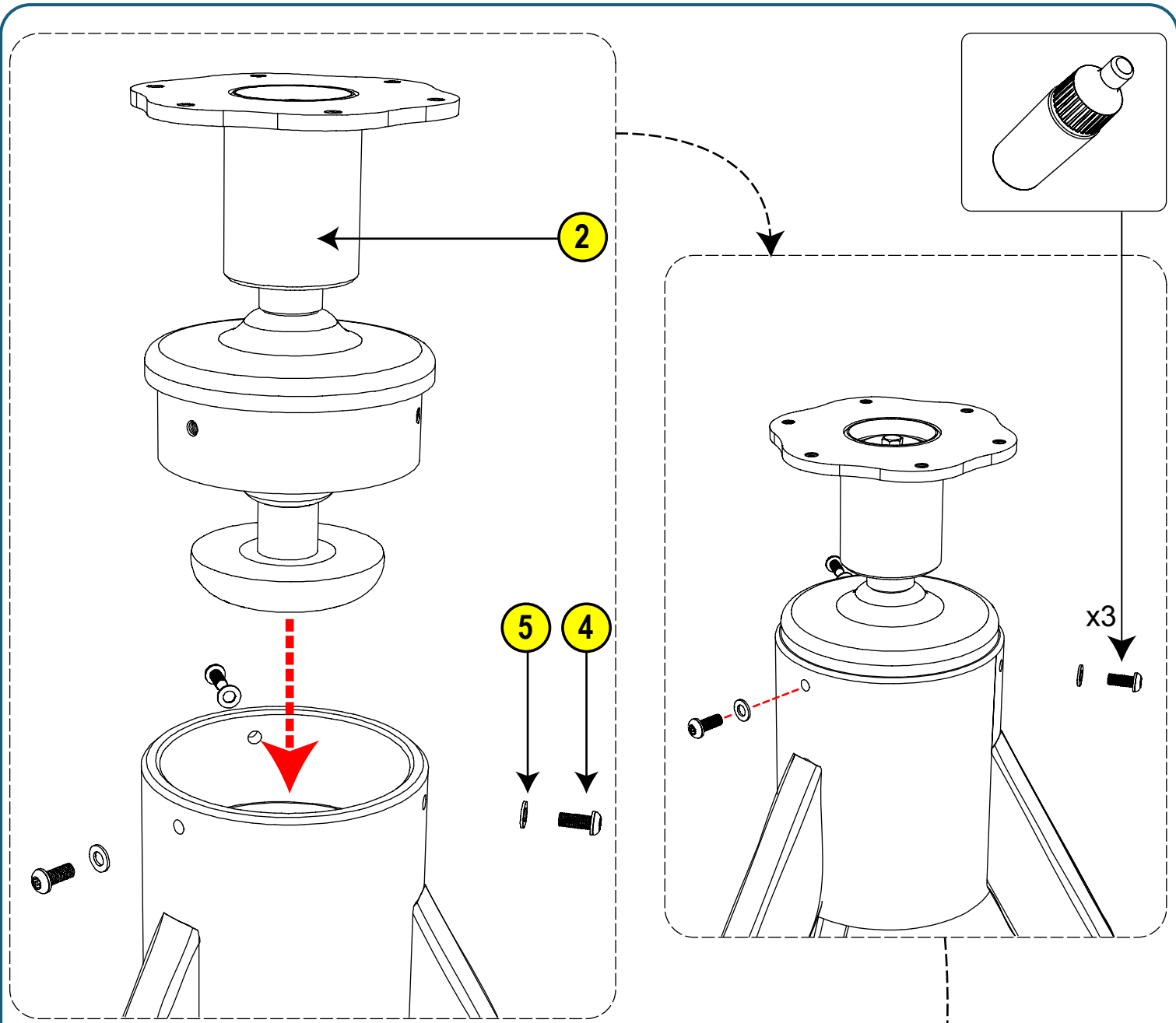


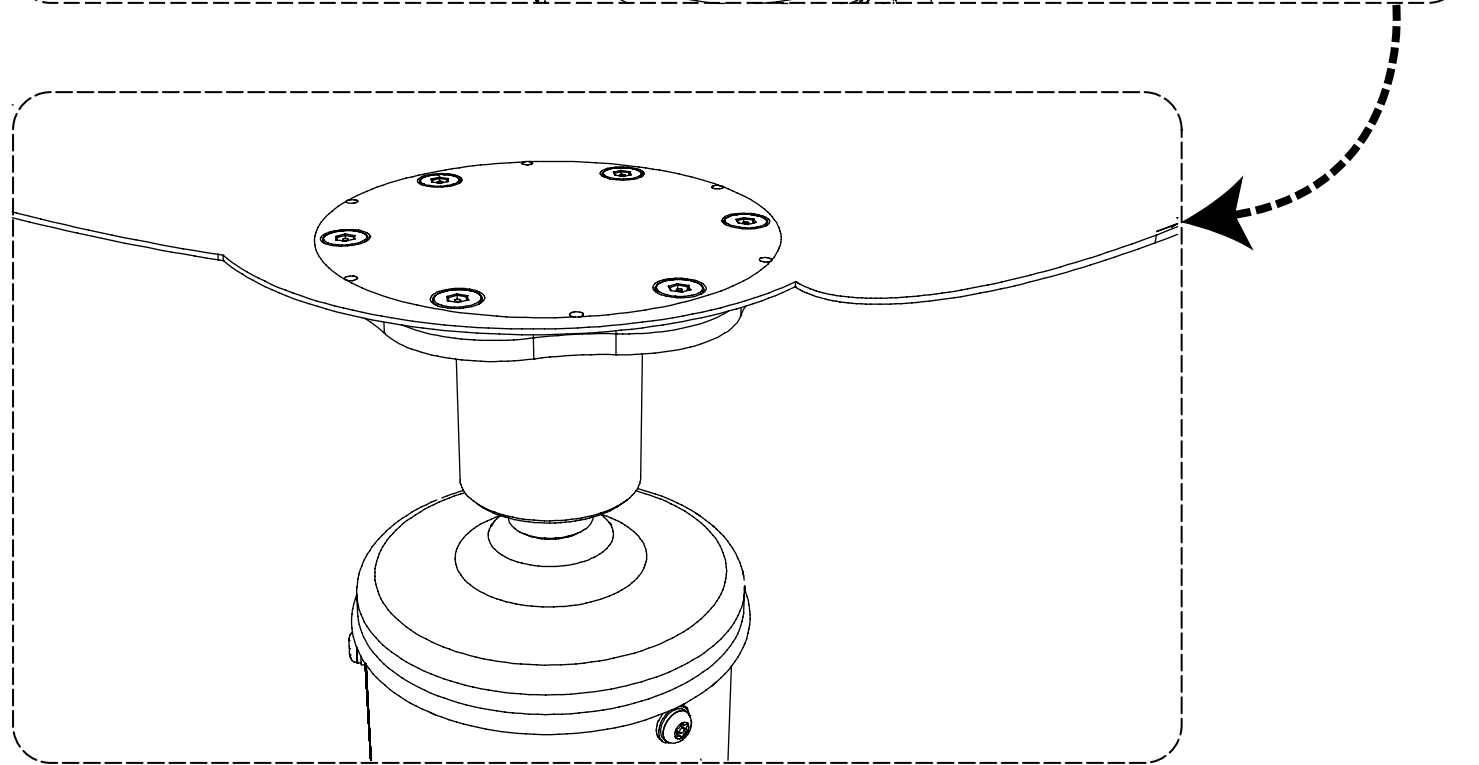
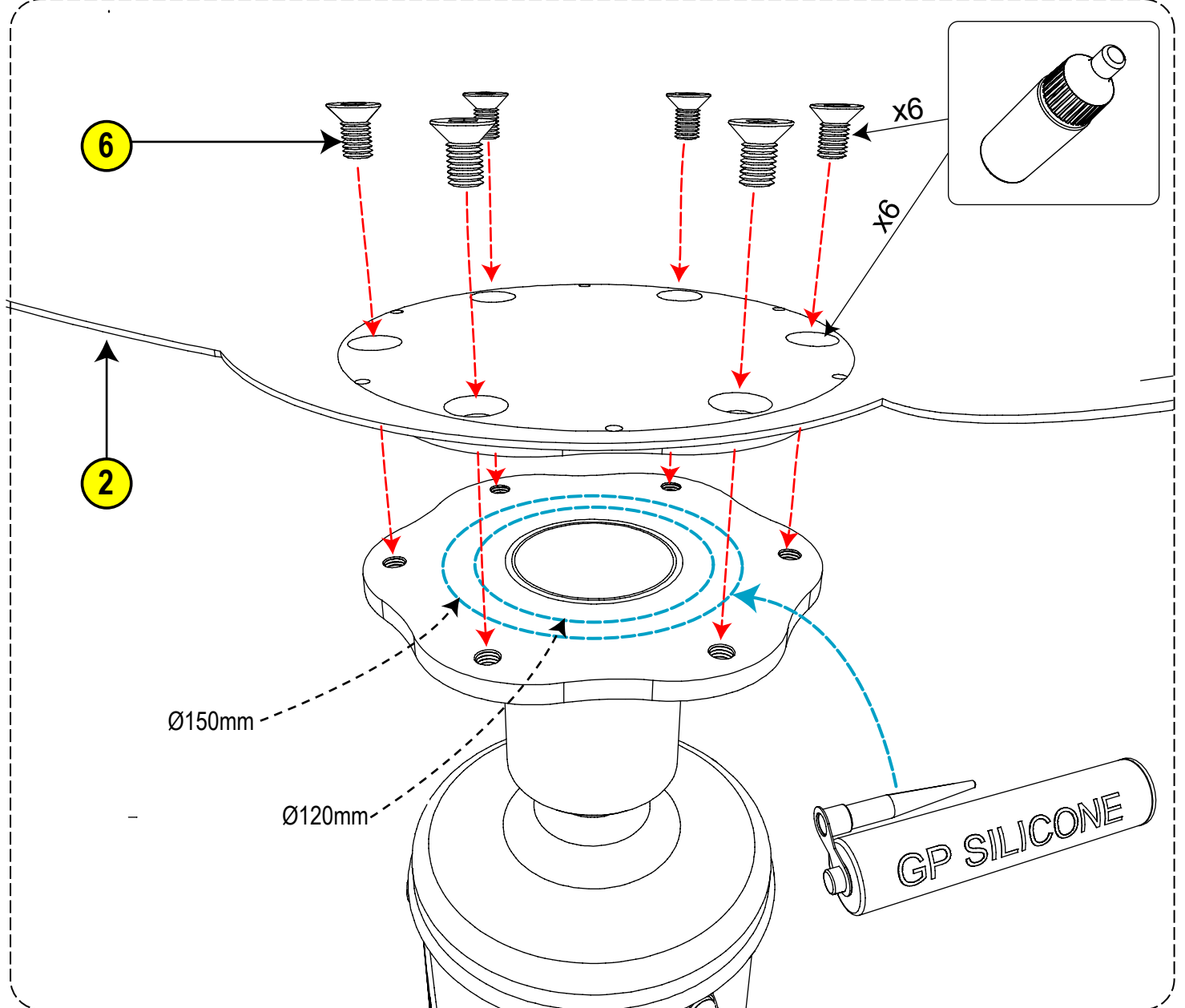
7 x 24h

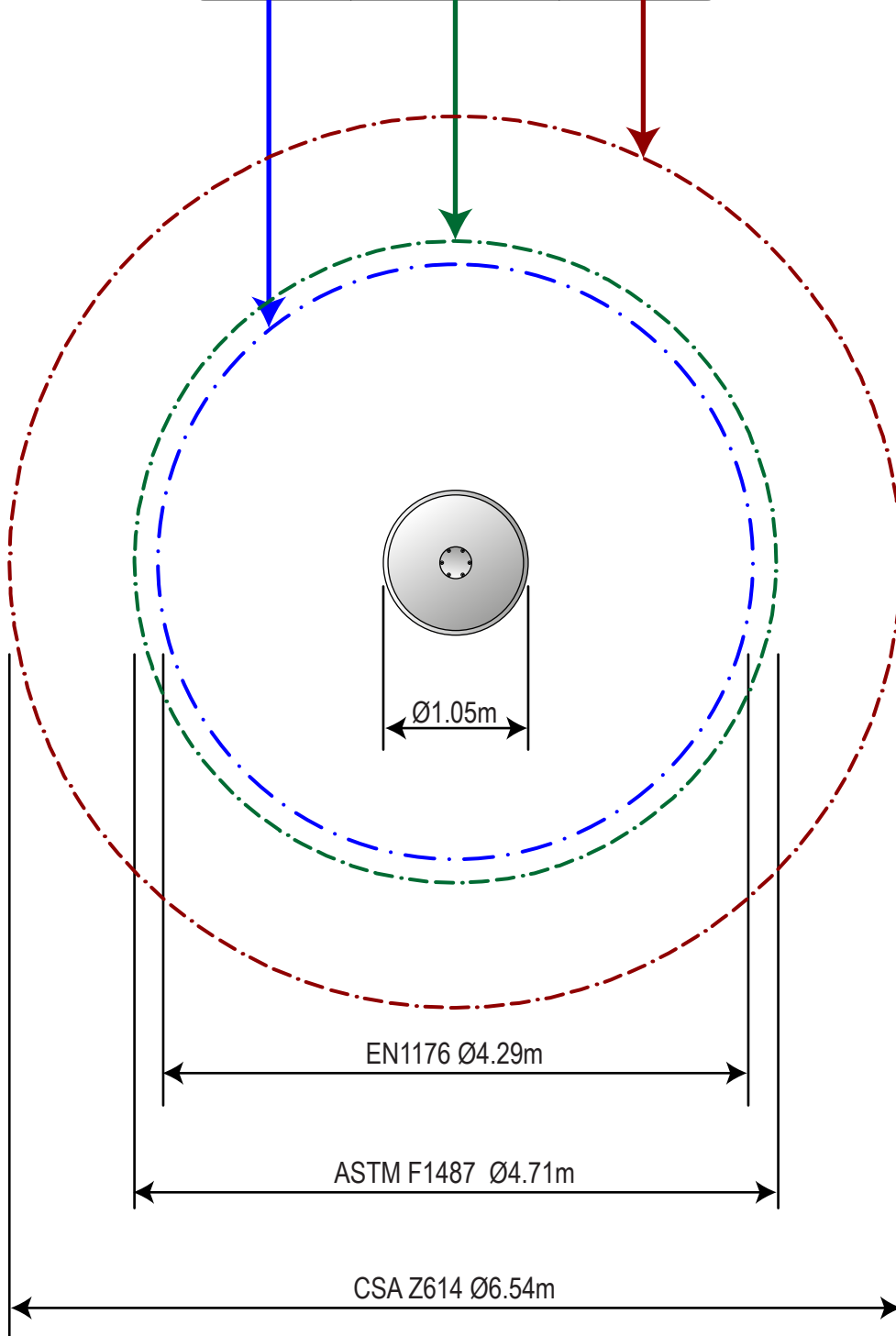
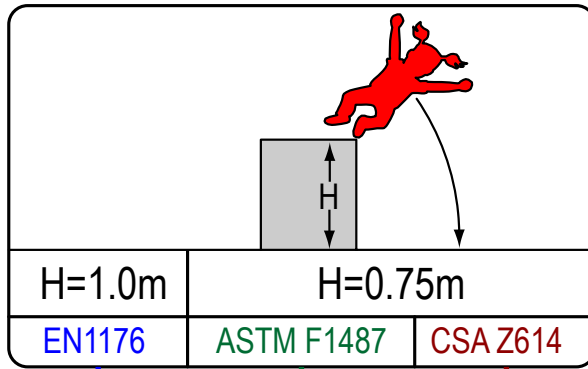


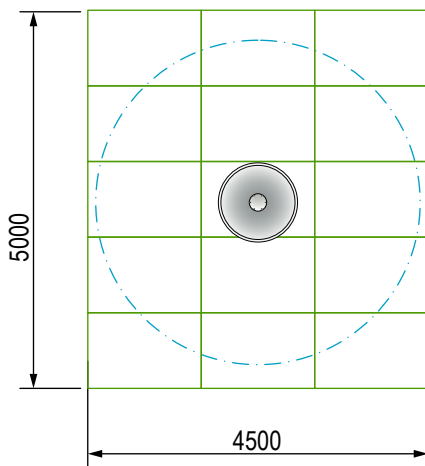
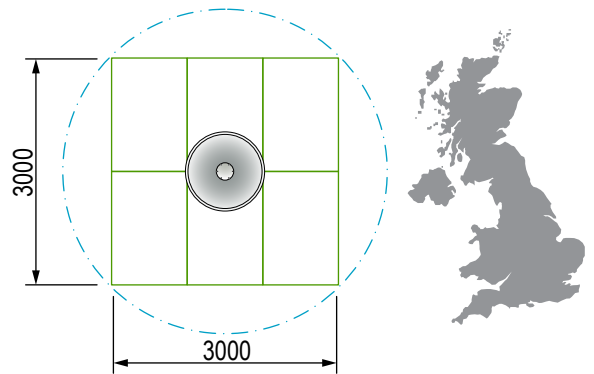
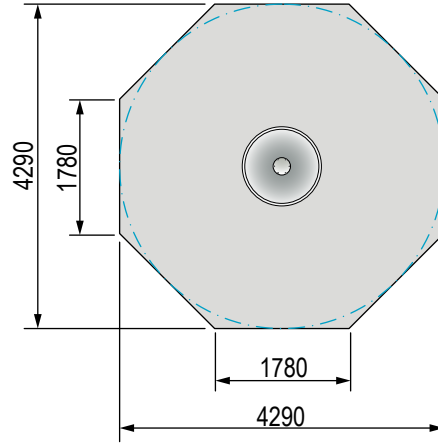
101

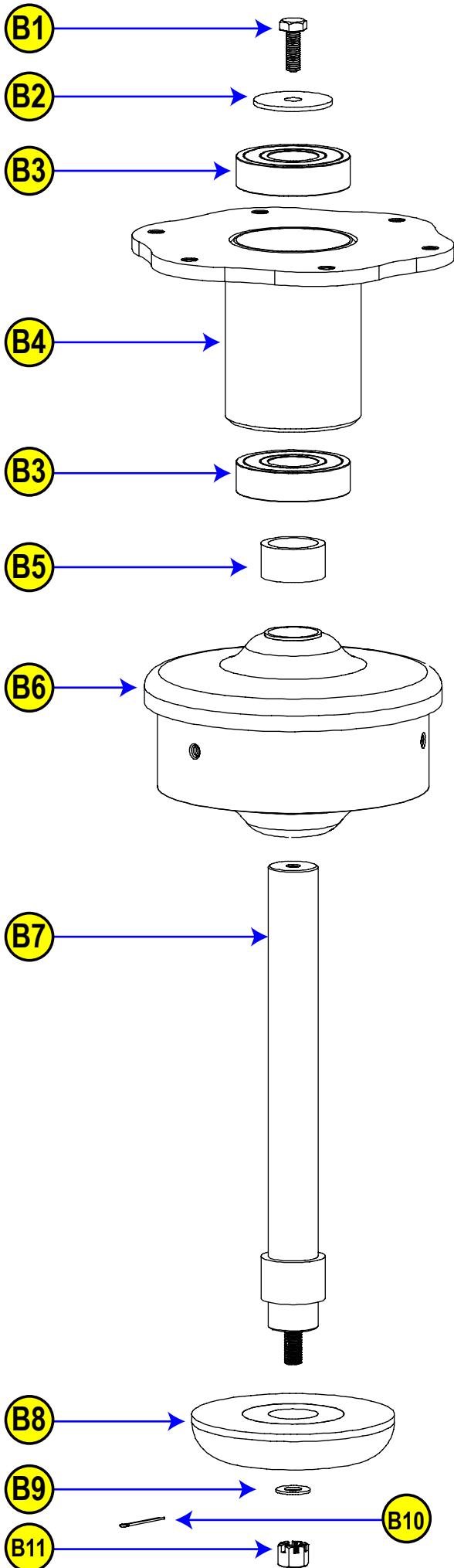


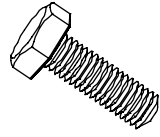
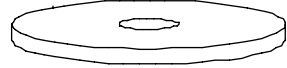
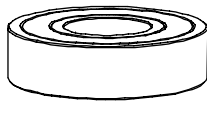
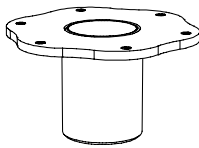

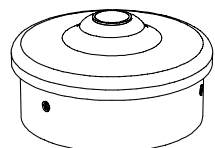
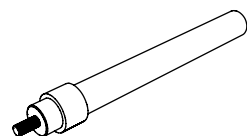
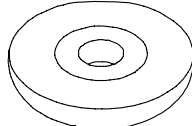
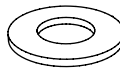
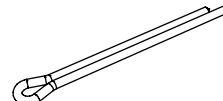
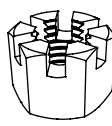










B1		10231030 x1 M10 x 30
B2		38007054 x1 Ø56 X Ø12 X 3mm
B3		207415 x2 63072RS
B4		207301 x1 Ø230 x 128mm
B5		207403 x1 Ø45 x Ø35 x 23.5mm
B6		HAG261060 x1 Ø208 x 142mm
B7		207405 x1 Ø45 x 354mm
B8		HAG261061 1 No Ø142 x 29mm
B9		10291201 x1 Ø21 x Ø11 x 2mm
B10		10281200 x1 3.2 x 35 DIN94 A2
B11		10313240 x1 M12