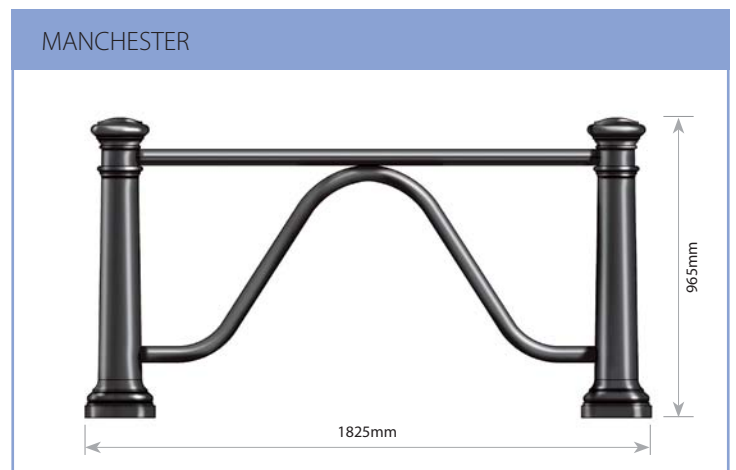
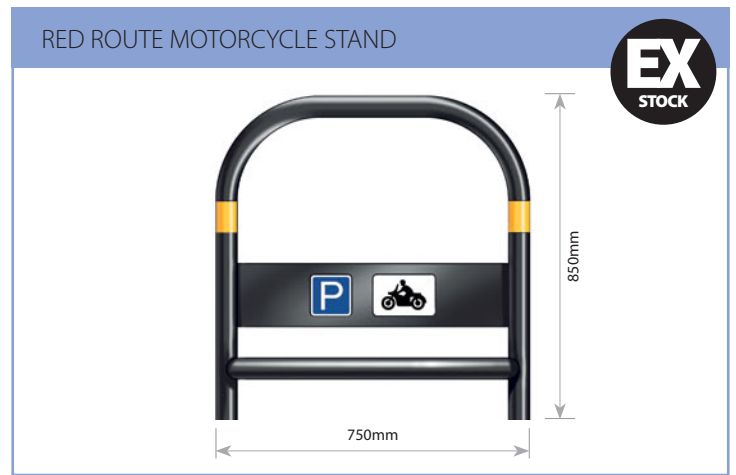
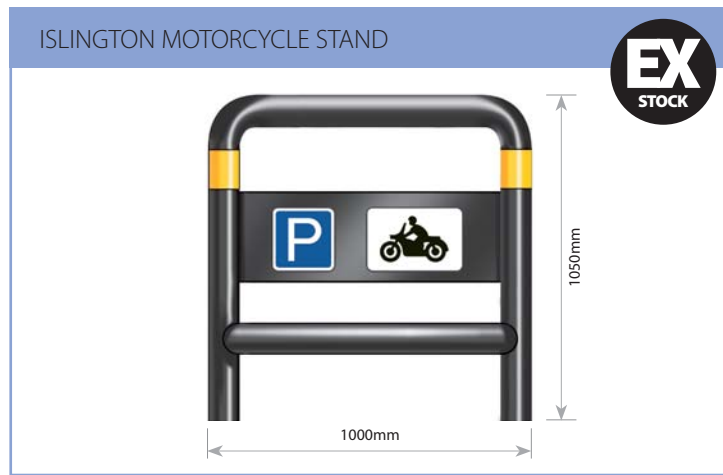


Polyurethane Cycle and Motorcycle Parking



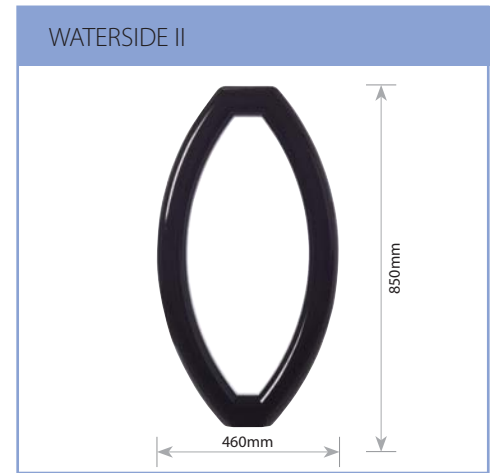
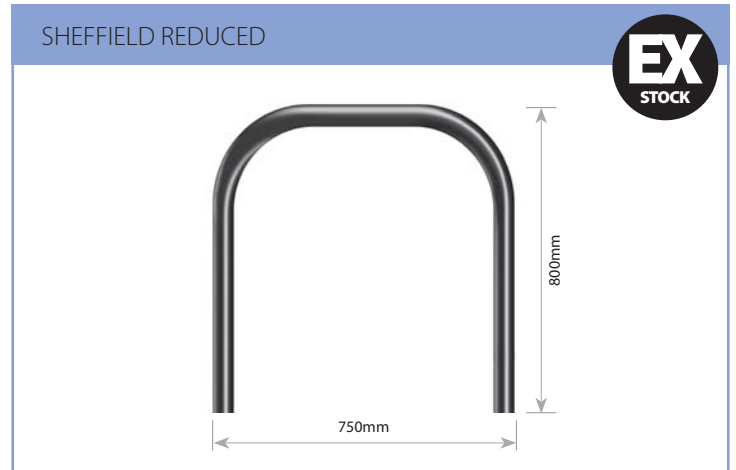
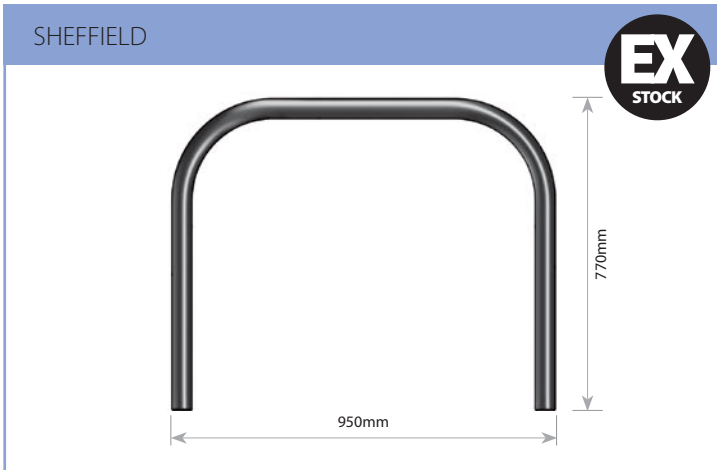
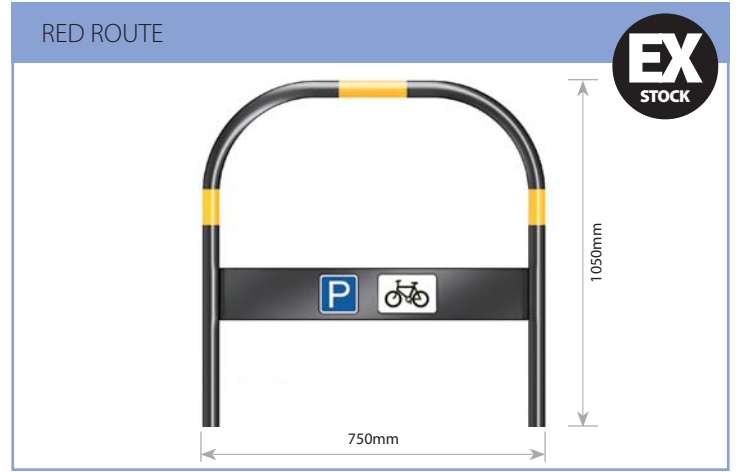
Islington Motorcycle Stand, Westminster

- Ferrocast® Cycle and Motorcycle Stands are both secure and attractive. Stands are cast around a strong inner steel core, and the durable polyurethane finish will not be damaged by cycle chains.
- Cycle stands can be coordinated with existing street furniture. The Cardiff and Manchester Bollards have been adapted to create matching cycle stands.
- The Red Route Cycle Stand and the Red Route and Islington Motorcycle Stands are supplied complete with reflective tape and signs.
- Cycle and Motorcycle Stands are available root fixed with a 300mm root.





Red Route Cycle Stands



| Product Description | Span (mm) | HAG (mm) | Standard Finish | Fixing Method | | Guide Price |
|----------------------------|-----------|----------|-------------------|---------------|------------|-------------|
| | | | | Root Fix | Base Plate | |
| Islington Motorcycle Stand | 1000 | 1050 | PC RAL 9005 Black | ■ | ■ | £407 |
| Red Route Motorcycle Stand | 750 | 850 | PC RAL 9005 Black | ■ | ■ | £196 |
| Red Route Cycle Stand | 750 | 1050 | PC RAL 9005 Black | ■ | ■ | £191 |
| Cardiff | 1085 | 1000 | PC RAL 9005 Black | ■ | ■ | £361 |
| Manchester | 1852 | 965 | PC RAL 9005 Black | ■ | ■ | £361 |
| Sheffield | 950 | 770 | PC RAL 9005 Black | ■ | ■ | £119 |
| Sheffield Reduced | 750 | 800 | PC RAL 9005 Black | ■ | ■ | £114 |
| Romford | 950 | 660 | PC RAL 9005 Black | ■ | ■ | £201 |
| Suffolk | 960 | 893 | PC RAL 9005 Black | ■ | ■ | £159 |
| Waterside II | 460 | 850 | PC RAL 9005 Black | ■ | | £150 |