

# Access Control

## Telescopic Bollards



RT SS5 stainless steel telescopic bollards, Borehamwood

### Specification

Rhino Telescopic Bollards are available in steel, stainless steel and polyurethane:

**Steel:** Bollards can be supplied in a galvanised or powder coated finish. All steel products are hot dip galvanised to BS EN ISO 1461 (1999). Powder coating is available in ten RAL colours as standard. For more information on the range of colours available, please see page 425.

**Stainless steel:** Bollards are manufactured in high quality grade 316 (1.4401) austenitic steel for maximised durability.

**Polyurethane:** Bollards are made from Ferrocast, Marshalls' two part polymer set around an internal steel core. Polyurethane bollards can also be supplied in 10 RAL colours as standard. For more information on the colour range, please see page 425.

### Installation, maintenance and replacement components

**Full Installation:** Available on selected schemes.

**Repair or Full Service:** Option available for all products.

### Locks and Keys

**Master Key Facilities:** Locks can be keyed alike or to differ.

**Anti-tamper locking mechanism:** Selected bollards feature a 10 pin 'anti-drill' push button lock.

**Overnight Service:** Replacement of lost keys.

Rhino Telescopic Security Bollards provide a secure, simple and cost effective method of protecting premises and vehicles. Rhino Bollards can be located in forecourts, car parks or shop fronts to provide excellent levels of protection. Fully retractable, the bollards can be lifted out of the ground in seconds and lowered just as easily.

The bollards lock into their upright position with an integral high security push button lock. When the posts are not required, they simply slide into their host tube below ground and the steel flap is closed flush.

As a result of the continuing trend towards products offering maximum protection and security, Rhino now offer their reinforced anti-ram specification as standard throughout the entire commercial telescopic bollard range. For applications which do not require this level of security, non reinforced equivalents are available. Coordinating static posts are also available on request.

Selected bollards are now available with a lift assist mechanism. Lift assisted bollards are fitted with an internal gas spring, which helps to reduce the operating weight by approximately 70%. The mechanism enables the bollards to be lifted effortlessly into place and gently lowered with a smooth, cushioned descent. The Rhino gas spring and surrounding body is manufactured from a grade 316L stainless steel, meaning that it will not rust or corrode, thus minimising ongoing maintenance costs.

Rhino telescopic bollards are manufactured using an automated robot welding process for greater precision and accuracy. Our products are quality checked at each stage of manufacture to ensure they are always of the highest quality.

### Sold Secure

The Sold Secure organisation is dedicated to reducing the risk of crime through assessing the performance of security products. Established in 1992 by Northumbria and Essex Police with the backing of the Home Office, Sold Secure is now administered by the Master Locksmiths Association.

Selected telescopic bollards have been independently tested and certified by Sold Secure to the 'Automotive Gold' standard and are suitable for inclusion in the Sold Secure Approved Category List.

The accreditation is awarded in reference to the Rhino 10 pin 'anti-drill' push button locking mechanism, which is used on selected bollards throughout the telescopic bollard range.



### Secured by Design

Secured by Design is a UK Police Flagship initiative, supporting the principles of designing out crime, crime prevention and security standards for a range of applications.

Managed by the Association of Chief Police Officers Crime Prevention Initiatives (ACPO CPI), 'Secured by Design' guarantees police approval of accredited security products. Marshalls Street Furniture is a 'Secured by Design' Accredited Organisation.



# Access Control

## Telescopic Bollards: Domestic Applications



RT RD4 SS Domestic Telescopic Bollard

Designed predominantly for domestic applications, Rhino domestic telescopic bollards are ideal for driveway installations to restrict access to properties and protect parked vehicles.

### RT RD4

- A round telescopic bollard which locks securely into place with a 500mm height above ground and features a 76mm diameter.
- Manufactured from mild steel to BS 1440, it is galvanised to BS EN ISO 1461 (1999) providing increased resistance to rust and corrosion.
- The RT RD4 is supplied polyester powder coated in either RAL Black 9005 or Yellow 1023 as standard. Other RAL colours are also available on request. For more information on the colour options available please see page 425.
- A coordinating static post (**Ref: RS D4**) is also available

### RT RD4 SS

- A round telescopic bollard manufactured from a carefully selected grade of 316L (1.4401) stainless steel.
- Exceptionally strong and requiring little maintenance, the RT RD4 SS offers a secure, durable and contemporary solution for domestic applications.
- The RT RD4 SS is 500mm high when extended above ground and has a 76mm diameter.
- A coordinating static post is also available (**Ref: RS001 D4**).

RT RD4

Stainless Steel lifting handle

10 pin push button lock

76mm round section x 4mm gauge mild steel

6mm gauge mild steel lid

100mm square section 4mm gauge mild steel

5mm gauge base plate with drainage holes

76Ø

500

100<sup>2</sup>

700

RT RD4 SS

Stainless steel lifting handle

10 pin push button lock

76mm round section x 3mm stainless steel

6mm gauge mild steel lid

100mm square section 4mm gauge mild steel

5mm gauge base plate with drainage holes

76Ø

500

100<sup>2</sup>

700

# Access Control

## Telescopic Bollards: Commercial Applications



RT R8 HD telescopic bollards, Peugeot garage

Rhino commercial telescopic bollards are supplied with our heavy duty specification as standard, making them ideal for anti ram raid applications. For applications requiring a lower level of security, non reinforced bollards are also available.

The **RT R8 HD** and **RT SQ8 HD** are manufactured from mild steel to BS 1440 and are galvanised to BS EN ISO 1461 (1999).

Designed for commercial usage, the bollards are ideal for providing ram raid protection to garage forecourts, driveways and pedestrian zones, town centres and commercial entrances.

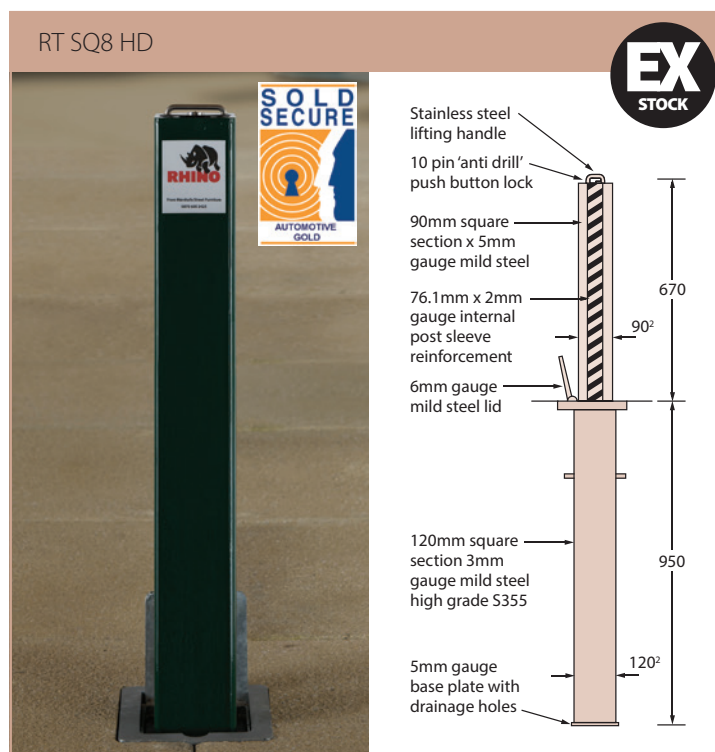
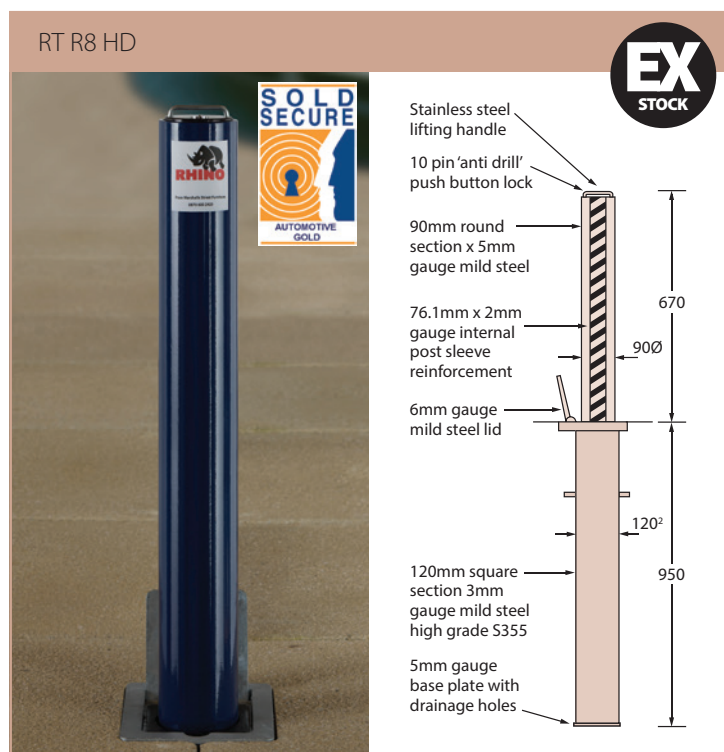
The bollards feature a 10 pin 'anti-drill' push button lock for added security.

### RT R8 HD

- A round telescopic bollard with a height above ground of 670mm and a 90mm diameter.
- The bollard is reinforced with a high strength inner post sleeve, manufactured from 76.1mm x 2mm steel, for increased performance on impact.
- A non reinforced option (**Ref: RT R5**) is available on request for lower risk applications. A coordinating static post is also available (**Ref: RSP R8**).
- Supplied polyester powder coated as standard.

### RT SQ8 HD

- A square telescopic bollard with a height of 670mm and a 90mm x 90mm width.
- As with the RT R8 HD, the SQ8 HD is reinforced with an inner post sleeve for added impact performance.
- A non reinforced option (**Ref: RT SQ5**) is available on request for lower risk applications. A matching static post is also available (**RSP SQ8**).
- Supplied polyester powder coated as standard.



# Access Control

## Telescopic Bollards: Commercial Applications



RT SS5 telescopic bollards, BMW/Mini garage, Borehamwood

### RT SS5

- A round telescopic bollard manufactured from grade 316L (1.4401) stainless steel.
- The bollard rises to 710mm above ground and features a 101mm diameter.
- Supplied with a brushed satin finish, the exceptionally strong stainless steel outer is 2mm thick and is reinforced with a 90mm x 5mm steel internal post sleeve for added performance.
- A coordinating post (**SSB01**) is available on request.
- The **RT SS5** features a 10 pin push button lock for added security.

### RT SS5 Lift Assist

- The **RT SS5** is available with an internal lift assist mechanism to significantly reduce the operating weight and aid manual handling.
- The bollard is fitted with an internal gas spring, which reduces the lifting weight to around one third of that of its standard equivalent.
- The Rhino gas spring is manufactured from stainless steel, which means that it will not rust or corrode like some steel equivalents, thus minimising ongoing maintenance costs.



# Access Control

## Telescopic Bollards: Commercial Applications



### RT 114/670 HD

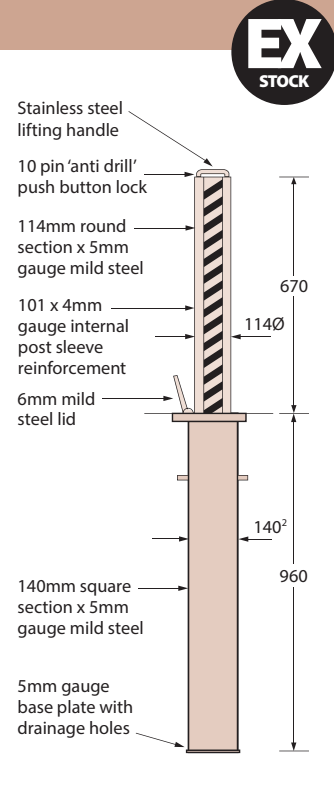
- A round telescopic bollard manufactured from high strength mild steel to BS 1440 and galvanised to BS EN ISO 1461 (1999).
- The bollard locks into place 670mm above ground and features a larger 114mm diameter.
- Features a 10 pin 'anti drill' push button lock for added security.
- The **RT 114/670 HD** is reinforced with a 101mm x 4mm steel inner post sleeve for enhanced performance on impact, making the bollard ideal for high risk anti ram applications.
- Supplied galvanised as standard, the **RT 114/670 HD** can be polyester powder coated to a RAL colour of your choice. For more information on the colour range, please turn to page 425.

### RT 114/670 HD Lift Assist

- The **RT 114/670 HD** is available with an internal lift assist mechanism to substantially reduce the operating weight and aid manual handling.
- This stainless steel gas spring reduces the lifting weight by approximately 70%, from 22.5kg to around 6-7kg.



### RT 114 / 670 HD



### RT R14 HD

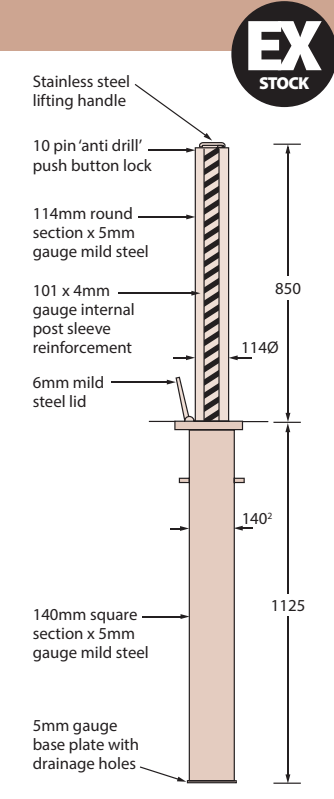
- A round telescopic bollard manufactured from high strength mild steel to BS 1440 and galvanised to BS EN ISO 1461 (1999).
- The **RT R14 HD** has a height above ground of 850mm and diameter of 114mm.
- Features a 10 pin 'anti drill' push button lock for added security.
- The bollard is reinforced as standard with a 101 x 4mm internal post sleeve for added strength and security, making it the ideal choice for anti ram applications.
- A non reinforced option is also available for applications of lower risk (**Ref: RT R14**). A coordinating static post (**Ref: RB 114**) is available on request.
- Supplied polyester powder coated as standard.

### RT R14 HD Lift Assist

- The **RT R14 HD** is now available with a lift assist mechanism. This enables the specification of a telescopic bollard of significant size and operating weight, whilst reducing the lifting weight by approximately 70%, enabling effortless functionality.
- The internal gas spring reduces the operating weight from 26.5kg to around 7kg.



### RT R14 HD





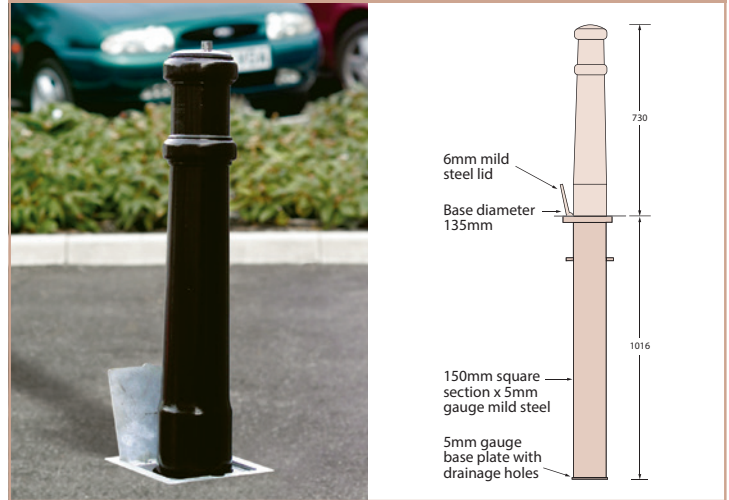
# Access Control

## Telescopic Bollards

The **RT SU5** Sunderland bollard is a telescopic post manufactured from Ferrocast Polyurethane. The bollard rises to 730mm above ground and has a 135mm diameter. A coordinating static bollard (**Sunderland Low**) is also available.

Ferrocast bollards are manufactured from high quality polyurethane and cast around an internal steel core for increased strength. The strong, non ferrous exterior ensures that the bollards will not rust or corrode, thus minimising ongoing maintenance costs.

RT SU5 SUNDERLAND TELESCOPIC BOLLARD (FERROCAST)



### Optional Extras

#### Banding Options

Rhino commercial telescopic bollards are available with a choice of three standard banding options:

- **Single Band:** A single recessed 100mm band supplied with Class 2 reflective tape. Available in either one or two colours.
- **Double Band:** Two recessed bands supplied with Class 2 reflective tape.
- **Hazard Banding Strip:** For increased visibility and safety.

Banding is available in three standard colours; amber, red and white. For additional options, please contact our sales office.

BANDING OPTIONS



#### Security Options

**Square security cover** - To add further security to your bollard, a square security cover is available. The cover is suitable for use on the **RT SQ8 HD** and its non-reinforced equivalent (**RT SQ5**). The cover is 100mm x 100mm.

**Ornamental Locking Top** - Suitable for use on the **RT R8 HD** telescopic bollard and its non reinforced equivalent (**RT R5**), the Ornamental Locking Top provides a traditional finish to the bollard, whilst providing the added security of a second locking mechanism. The cover features a diameter of 170mm.

The **RSP VIC8** is a galvanised steel static post with an ornamental locking top and decorative surface trim plate around the bottom. The bollard is 710mm high and has surface diameter of 90mm. The RSP VIC8 is designed to co-ordinate with telescopic bollards specified with the ornamental locking top option.

SQUARE SECURITY COVER



ORNAMENTAL LOCKING TOP



RSP VIC8

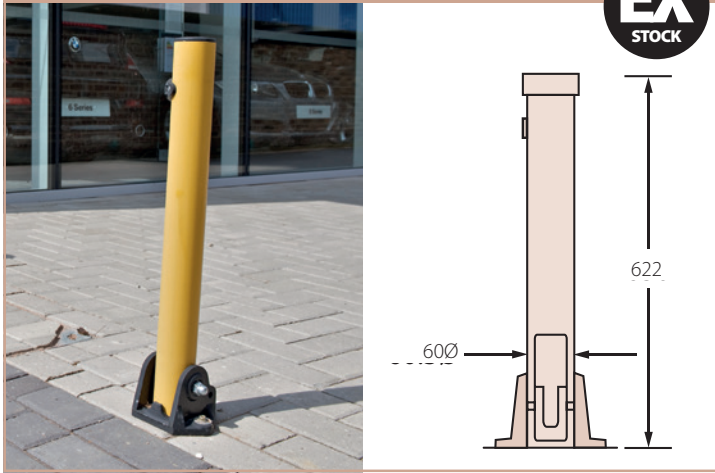


# Access Control

## Fold Down/Lift Out and Lockable

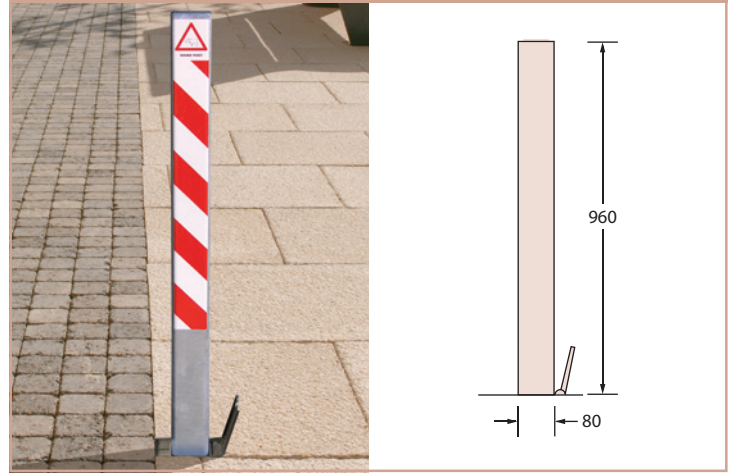


RT KEY OP1 (FOLD DOWN) BOLLARD



The **RT Key OP 1** steel bollard is 650mm high and has a 60mm diameter. Supplied powder coated in RAL Yellow 1021 or RAL Black 9005 as standard, the bollard can be folded down to temporarily allow vehicle access.

RTL 80 (LIFT OUT LOCKABLE) BOLLARD



The **RTL 80** is a square lift out lockable bollard. Manufactured from galvanised steel, the bollard is 960mm high and 80 x 80mm wide.

Product Description	Product Reference	Diameter (mm)	Height		Weight		Standard Finish	Available with Lift Assist	Spec	Finish	OPTIONS			Add Ons	
			HAG (mm)	HBG (mm)	Weight (kg)	Operating Weight (kg) *					Reflective Banding	Single Groove Band	Double Groove Band		Hazard Banding
Domestic Telescopic Round 76/500	RT RD4	76	500	700	22	6	PC Black 9005 or Yellow 1023								
Static Round 76/500	RS D4	76	500	300	7	n/a	PC Black 9005			■					
Domestic Telescopic Round 76/500 Stainless Steel	RT RD4 SS	76	500	700	22	6	Stainless Steel								
Domestic Static Round 76/500 Stainless Steel	RS001 D4	76	500	250	18	n/a	Stainless Steel								
Telescopic Round 90/670 Heavy Duty	RT R8 HD	90	670	950	44	14	PC Black 9005		■	■	■	■	■		Ornamental
Telescopic Round 90/670 Non Reinforced	RT R5	90	670	950	42	11	PC Black 9005			■	■	■	■		Ornamental
Static Round 90/670	RS PR8	90	670	580	16	n/a	PC Black 9005			■					
Telescopic Square 90/670	RT SQ8 HD	90 x 90	670	950	44	15	PC Black 9005		■	■					Square
Telescopic Square 90/670 Non Reinforced	RT SQ5	90 x 90	670	950	42	13	PC Black 9005			■					Square
Static Square 90/670	RSP SQ8	90 x 90	670	580	19	n/a	PC Black 9005			■					
Telescopic Round 101/710 Stainless Steel	RT S55	101	710	1000	37	17 (5)	Stainless Steel	■	■		■	■			
Static Round 101/710mm Stainless Steel	RS 001	101	710	540	43	n/a	Stainless Steel		■						
Telescopic Round 114/670 Heavy Duty	RT 114/670	114	670	960	55	22.5 (6-7)	PC Black 9005	■	■	■	■	■			
Telescopic Round 114/850 Heavy Duty	RT R14 HD	114	850	1125	66	26.5 (7)	PC Black 9005	■	■	■	■	■	■		
Telescopic Round 114/850 Non Reinforced	RT R14	114	850	1125	54	17	PC Black 9005			■	■	■	■		
Static Round 114/850	RB 101	114	850	650	18	n/a	PC Black 9005			■					
Telescopic Round 730mm Ferrocast	RT SU5	135	730	1020	30	16	Polymer					■			
Static Ferrocast Sunderland Low	RCB 74	89	730	300	42	n/a	Polymer					■			
Fold Down 650mm	RT KEY OP 1	60	622	n/a	7	n/a	PC Black 9005			■					
Lift Out 960mm	RTL 80	80 x 80	960	n/a	21	n/a	Galvanised			■					

\* Figure in brackets indicates approximate operating weight with lift assist mechanism. \*\* Recess is available at an extra cost