

Cast Iron and Aluminium Bollards



MSF 102 Cast Iron Bollard with white tape



Imperial Water Standpipe

Marshalls Street Furniture offer a range of traditional cast iron bollards which allow you to either create or preserve a Victorian look within your landscape. All of our cast iron bollards are manufactured from ductile iron. Ductile iron retains all of cast iron's qualities of machinability and corrosion resistance but has additional strength, toughness and ductility making it ideal for use as a bollard.

All cast iron bollards are coated with a rust preventative primer and painted with RAL black gloss 9005 as standard. Bollards are also available in other RAL and BS colours as special order items. For the standard RAL colour range available, please turn to page 425.

All our cast iron bollards are manufactured to BS EN 1563 1997.

The following customised options are also available:

Fixing Method: Root fixing is standard with the option of lift out and lockable fixing.

Second Colour: Hand painted detailing and embellishments can be specified.

Hazard Banding: Reflective tapes and discs can be added for increased visibility and safety.

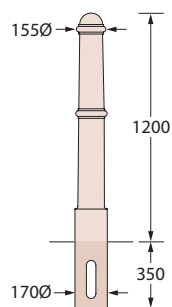
Crests, Logos and Coats of Arms: Marshalls can also personalise cast iron bollards with crests, logos and coats of arms on special request. These will be hand painted by our finishing team.

The Imperial Bollard is cast in aluminium and can be coated in a RAL colour of your choice. For the full RAL colour range available, please turn to page 425. It is available as a standard bollard, a water standpipe and an electricity supply.

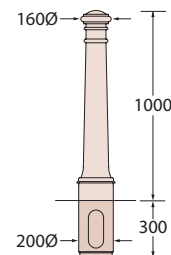
Cast Iron and Aluminium Bollards



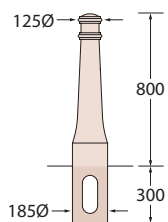
MSF 101 STANDARD CANNON BOLLARD



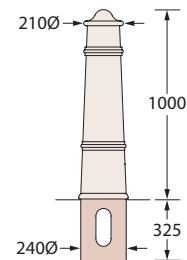
MSF 102 MANCHESTER 3 RING TOP BOLLARD



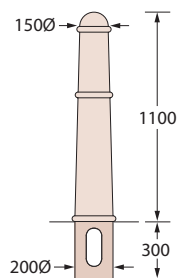
MSF 103 BOLLARD



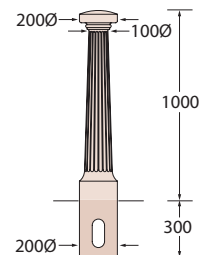
MSF 105 HALF CANNON BOLLARD



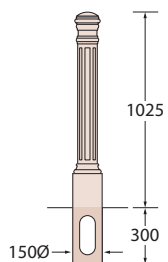
MSF 108 LARGE CANNON BOLLARD



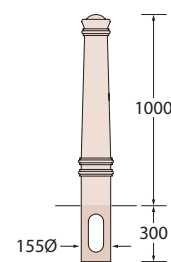
MSF 114 FLUTED BOLLARD WITH DISC TOP

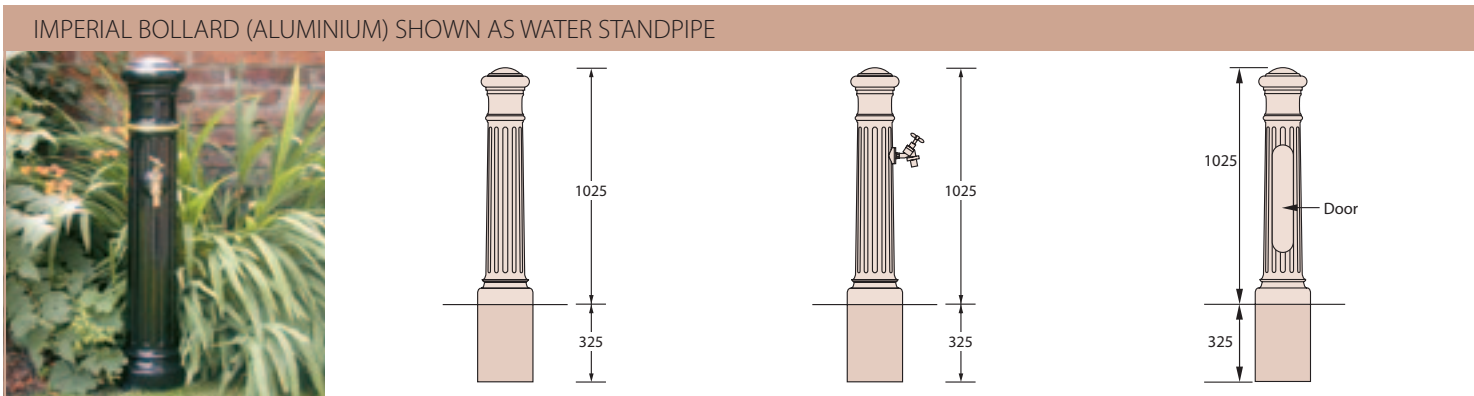
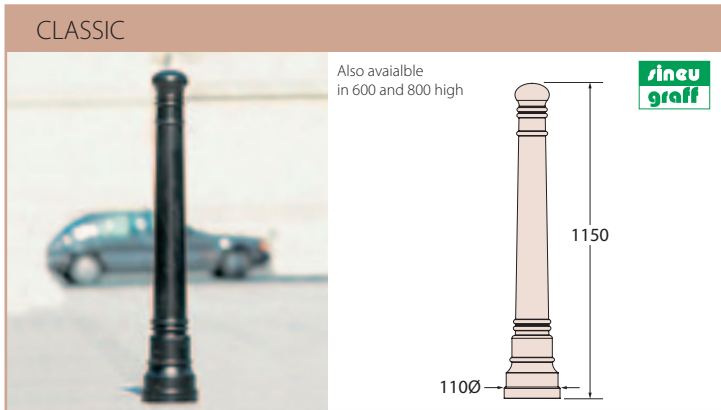
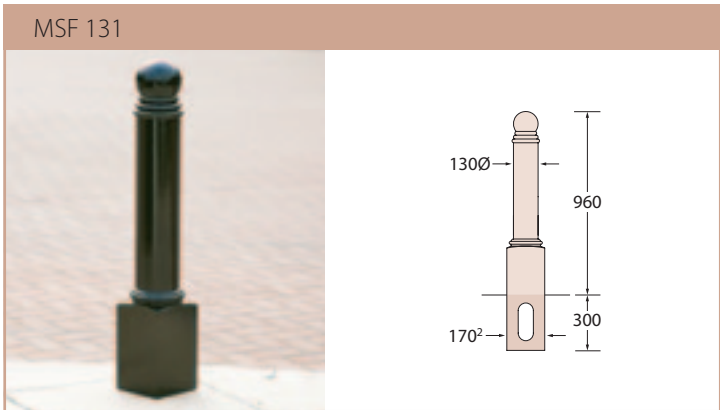
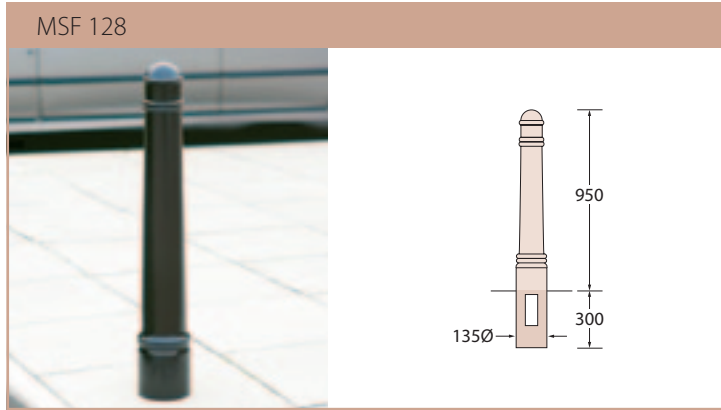
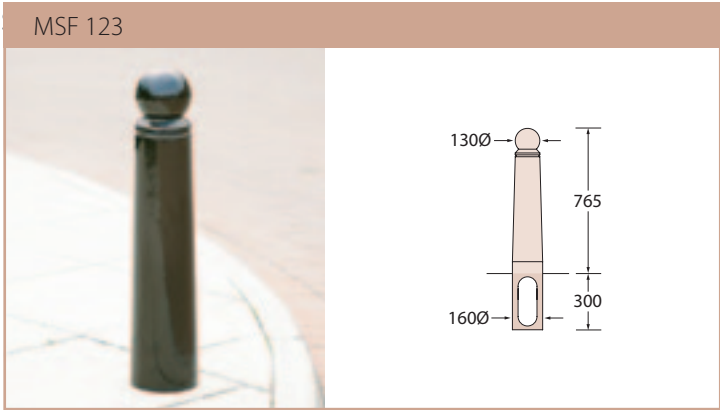


MSF 120 HENRY BOLLARD



MSF 121 GEORGE BOLLARD





Product Description	Overall					OPTIONS								Guide Price
	Diameter (mm)	Height (mm)	HAG (mm)	Weight (kg)	Standard Finish	Fixing Method			Add Ons		Utility Options			
						Ground Post Fixing (H)	Concealed Base Plate (E)	Lift Out & Lockable (D)	Hazard Banding	Chain Connectors	Water Standpipe	Electricity Supply		
MSF 101 Standard Cannon Bollard	170	1550	1200	49	Painted Black Gloss 9005			■	■	■			£135	
MSF 102 Manchester 3 Ring Top Bollard	200	1300	1000	42	Painted Black Gloss 9005			■	■	■			£150	
MSF 103 Bollard	185	1100	800	34	Painted Black Gloss 9005			■	■	■			£130	
MSF 105 Half Cannon Bollard	240	1325	1000	68	Painted Black Gloss 9005			■	■	■			£185	
MSF 108 Large Cannon Bollard	200	1400	1100	68	Painted Black Gloss 9005			■	■	■			£175	
MSF 114 Fluted Bollard with Disc Top	200	1300	1000	53	Painted Black Gloss 9005			■	■	■			£130	
MSF 120 Henry Bollard	150	1325	1025	60	Painted Black Gloss 9005			■	■	■			£130	
MSF 121 George Bollard	155	1300	1000	70	Painted Black Gloss 9005			■	■	■			£130	
MSF 123	160	1065	765	38	Painted Black Gloss 9005			■	■	■			£118	
MSF 128	135	1250	950	65	Painted Black Gloss 9005			■	■	■			£130	
MSF 131	170	1260	960	80	Painted Black Gloss 9005			■	■	■			£155	
Locking Socket MSF 39A	221	-	-	10	Painted Black Gloss 9005					■			£150	
Imperial Bollard	200	1350	1025	31	Painted Black Gloss 9005				■	■	■	■	£350	
Classic 40.351	110	n/a	1150	37	Black Polyester Paint	■	■	■		■			£230**	
Classic 40.352	110	n/a	800	21	Black Polyester Paint	■	■	■		■			£245**	
Classic 40.354	110	n/a	600	18	Black Polyester Paint	■	■	■		■			£336**	

*For full installation instructions please see page 434.

**Prices are based on ground post fixing. For other installation methods please contact our sales office.