

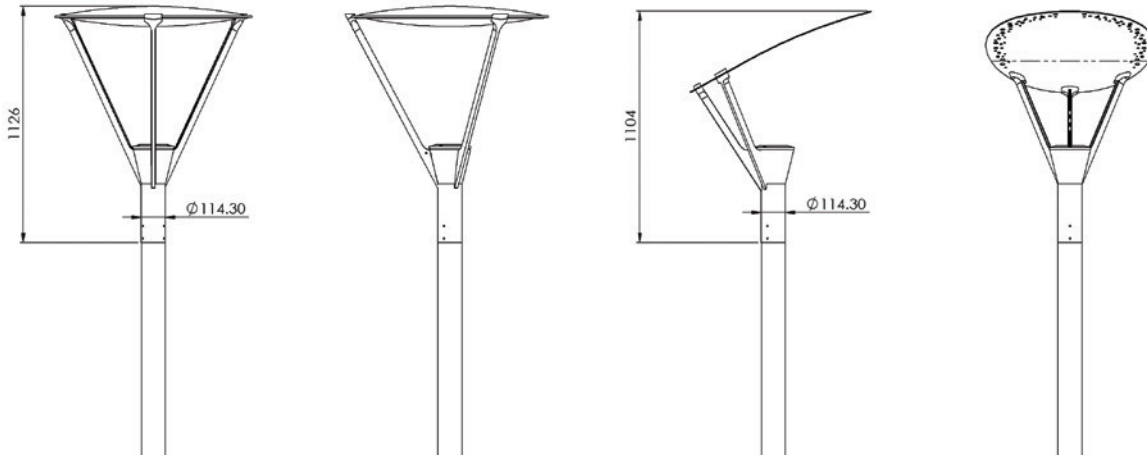


The Geo Parklight indirect luminaire provides a large homogenous decorative illuminated area and a low-glare, comfortable light distribution from a striking aesthetic. Available in both asymmetric and symmetric versions for flexibility in application, the Parklight provides ideal illumination for pedestrian spaces.

Designed for unrivalled visual coordination with other Geo street furniture and signage elements, the Parklight provides an attractive indirect lighting solution for your project.

- Suitable for mounting from 4 - 5m in height
- Lamp and gear compartment sealed to IP65 to give protection from dust and water ingress
- Perforated roof option adds accent lighting to tree canopies
- Alternative colours and finishes are available to match your project or town identity
- Integrated photoelectric cell option for efficient operation.





Marshalls Part Code	GE-LA-00018	GE-LA-00019	GE-LA-00020	GE-LA-00021
Product Name	Parklight Lantern 114mm 70w HCI-T Asymmetrical Solid	114 mm Asym Pklight 150W Std Gear Solid Roof RAL9006	Parklight Lantern 114mm 70w HCI-T Symmetrical	114mm Sym Pklight 150W Std Gear and Roof RAL9006
Width (mm)	950	950	940	940
Height (mm)	1065	1065	1120	1120
Depth (mm)	950	950	940	940
Weight (kg)	25	25	21	21
Colour	RAL9006	RAL9006	RAL9006	RAL9006
Windage (m2)	0.4	0.4	0.17	0.17
IP Rating	IP66	IP66	IP66	IP66
Lamp Arrangement	Perpendicular to Road	Perpendicular to Road	Perpendicular to Road	Perpendicular to Road
Mounting Type	114mm column with 90 x 100 spigot	114mm column with 90 x 100 spigot	114mm column with 90 x 100 spigot	114mm column with 90 x 100 spigot
Body/Frame Material	Aluminium	Aluminium	Aluminium	Aluminium
Photo Voltaic Panel Option	No	No	No	No
Protector Type	Curved	Curved	Curved	Curved
Protector Material	Glass	Glass	Glass	Glass
Lens/Reflector Type	High Purity Aluminium/ Painted Aluminium	High Purity Aluminium/ Painted Aluminium	High Purity Aluminium/ Painted Aluminium	High Purity Aluminium/ Painted Aluminium
Mounting Type	114mm column with 90 x 100 spigot	114mm column with 90 x 100 spigot	114mm column with 90 x 100 spigot	114mm column with 90 x 100 spigot
Lamp Source	70W CDM-T compact Ceramic metal halide	150W CDM-T compact Ceramic metal halide	70W CDM-T compact Ceramic metal halide	150W CDM-T compact Ceramic metal halide
Design Lumens	6600	12700	6600	12700
Control Gear Type	Electromagnetic	Electromagnetic	Electromagnetic	Electromagnetic
Circuit Watts (w)	79	162	79	162
Current (A)	0.35	0.7	0.35	0.7
Nominal Voltage (V)	230	230	230	230
Frequency (Hz)	50	50	50	50
Switching Option	PECU	PECU	PECU	PECU
Dimming Option	Yes - Please consult Marshalls			
Standard Compliance	EN60598	EN60598	EN60598	EN60598