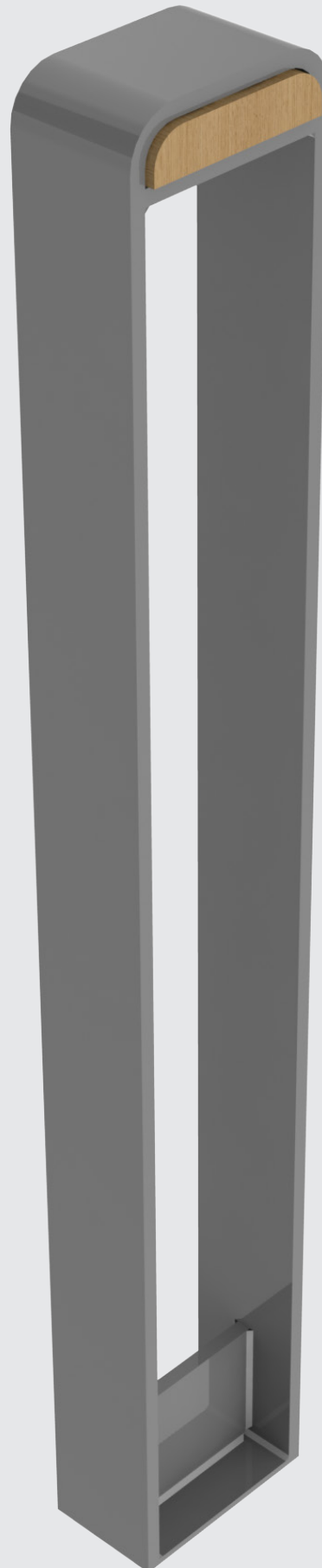
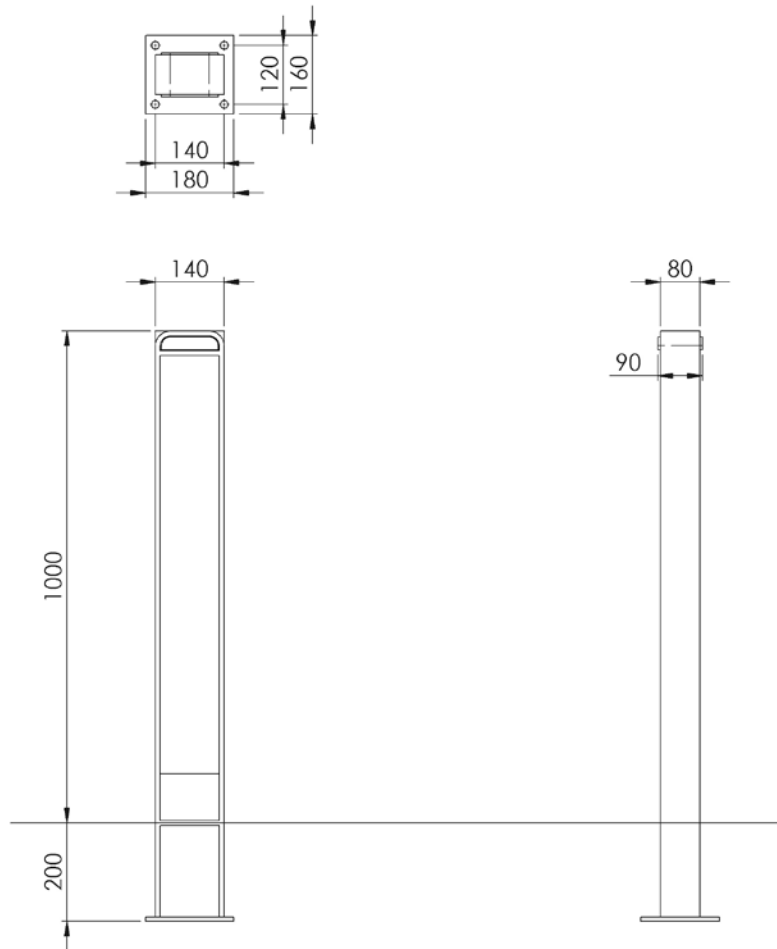


The Loci bollard is a robust and contemporary design that coordinates with the remainder of the range.

The form is simple and light yet offers a multitude of customisation options and the considered application of colour can be used creatively to comply with guidance contained within the Equalities Act 2010.

- Formed in precision fabricated steel, the bollard combines significant structural strength with an elegant profile.
- The bollards are available in root or flange fixed options, making them suitable for a variety of installation methods.
- Each part of the bollard can be colour-customised in any RAL shade for delineation of areas, local branding consistency or wayfinding integration.
- The UV resistant polyester powder coat is a durable three layer system including two primer coats to protect the raw material from the elements
- The colour or material of the upper inset detail may also be changed to suit your project.
- FSC Certified timber is selected as standard





Marshalls Part Code	LO-BL-00001	LO-BL-00002	LO-BL-00003
Product Name	LOCI Blind Bollard - Flange Fix	LOCI Blind Bollard - Root Fix	LOCI Blind Bollard - Flush Fix
Width (mm)	140	140	140
Height (mm)	1100	1100	1100
Depth (mm)	80	80	80
Weight (kg)	22	25	25
Colour	Any RAL Colour	Any RAL Colour	Any RAL Colour
Mounting Type	Buried Flange	Buried Root	Surface Mounting
Body/Frame Material	Mild Steel	Mild Steel	Mild Steel