

# SHOWERMATE ECO

## Standard Twin Pumps

Delivers a cost effective, high performance shower pump. At 30% smaller than the standard Showermate pump, bathroom designers and installers can specify the Showermate ECO model in a wide range of situations, including small and confined spaces.

Standard Twin pumps are designed to boost the incoming hot and cold water supply to an individual shower, bath, shower mixer or mixer tap. Suitable for positive head applications only.

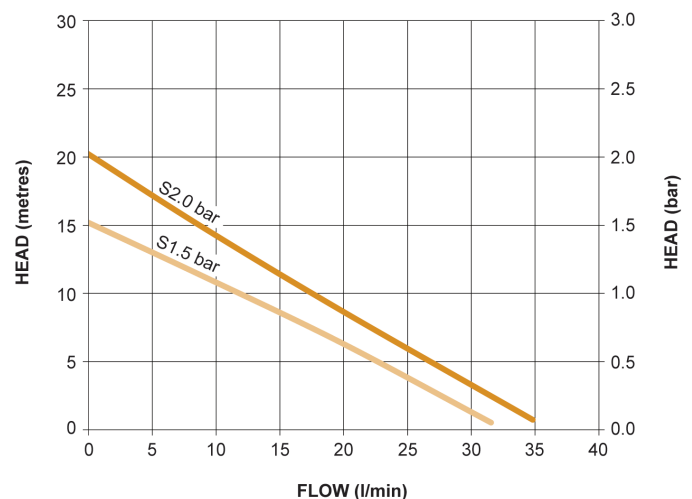


### Features

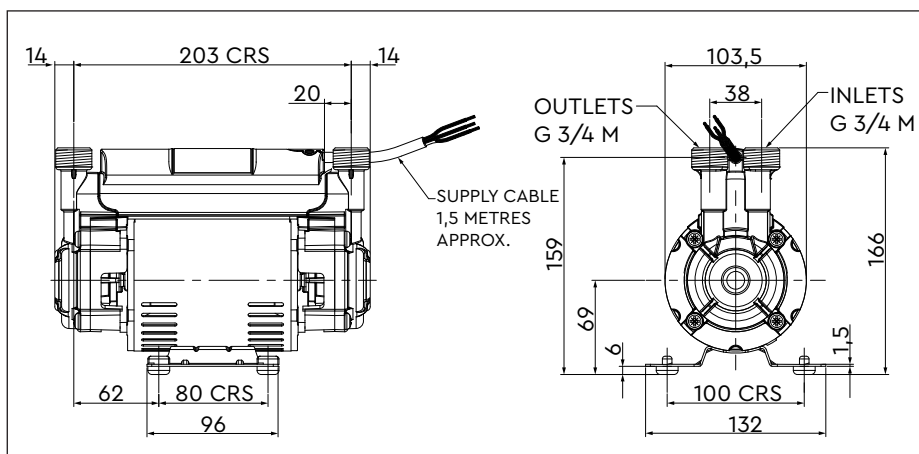
- 3 year guarantee
- 1.5 and 2.0 bar options
- Suitable for positive head applications
- High quality compact plastic pump supplied with 15 mm flexible hoses with integral ISO valves on inlets
- Quiet operation
- WRAS approved product
- Intermittently rated
- Anti-vibration feet
- EPDM/PTFE/Al. Oxide seal
- Pre-wired with 1.5 metre power cable

### Application

- Boosting hot and cold water supplies to a single shower, bath, shower mixer or mixer tap in low pressure gravity systems
- Suitable for use where there is already more than 1 litre/min flow from the outlet(s) to be boosted



Pump Model		S1.5 bar Twin 46502	S2.0 bar Twin 46500
General	Guarantee	3 years	
	WRAS approval	1504701	
	Approvals	WRAS, CE	
Features	Pump type	Peripheral	
	Pump control	Flow switch	
	Anti-vibration feet	✓	✓
	Flexible hoses	4	4
	Dry run protection	✓	✓
	Typical noise	52 dB(A)	54 dB(A)
Materials	Pump body	Plastic	
	Impeller	Plastic	
	Mechanical seal	EPDM / PTFE / Al. Oxide	
Performance	Maximum head – closed valve	1.5 bar (15 metres)	2.0 bar (20 metres)
	Performance @ 9 l/min	1.1 bar (11 metres)	1.4 bar (14 metres)
	Performance @ 18 l/min	0.6 bar (6 metres)	0.8 bar (8 metres)
	Maximum flow	32 l/min	35 l/min
	Maximum static inlet pressure	10 metres	
	Maximum working pressure*	300 kPa (3 bar)	
	Maximum ambient air temperature	40 °C	
	Min / Max water temperature**	Min 4 °C / Max 65 °C	
	Flow switch sensitivity	0.8 l/min (approx)	
Connections	Pump connections	G ¾ male	
Flexible hoses	Connections (UK model)	G ¾ female x 15 mm push-in x 200 mm long, isolating valves on inlet hoses	
Motor	Type	Induction, auto-reset thermal trip	
	Duty rating	Int (S3) 30 mins on/30 mins off @ 9 l/min	
Electrical	Power supply (Vac/Ph/Hz)	230 V a.c. / 1 / 50 Hz	
	Current – full load	1.7 Amps	1.8 Amps
	Power consumption – P1	385 Watts	420 Watts
	Fuse rating	5 Amps	
	Power cable length	1.5 metres (pre-wired)	
Physical	Enclosure protection	IP22	
	Length	231 mm	
	Width	132 mm	
	Height – excluding hoses	166 mm	
	Weight – including fittings	4.7 Kg	



\* The maximum pressure that can be applied to the pump under any installation conditions.

\*\* A stored water temperature of 60 °C is considered sufficient to meet all normal requirements and will minimise deposition of scale in hard water areas.