

# WASTEFLO

## WC3 – Macerator

The Wasteflo WC3 macerator is ideal when transforming any area into a complete bathroom or en-suite. Its attractive and slim design is fully compatible with standard and slimline sanitaryware.

The slimline design of the Wasteflo macerator enables it to fit behind a WC whilst allowing the cistern to be fixed directly to the wall without the use of battens.

An innovative watertight cassette unit enables easy removal, cleaning and maintenance of the working parts without having to remove the WC, cistern or pipework.

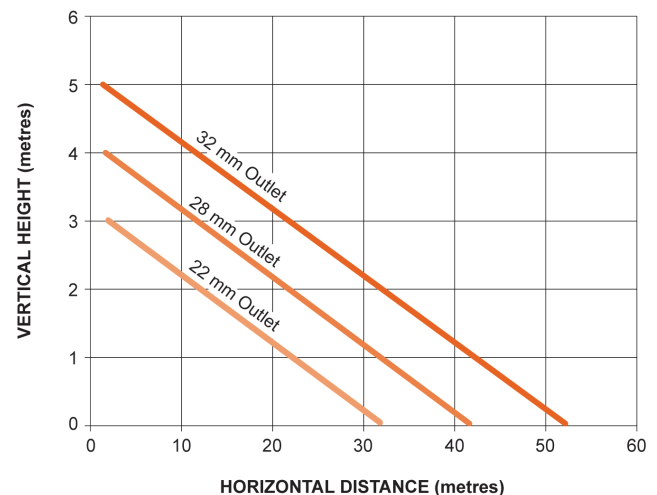


### Features

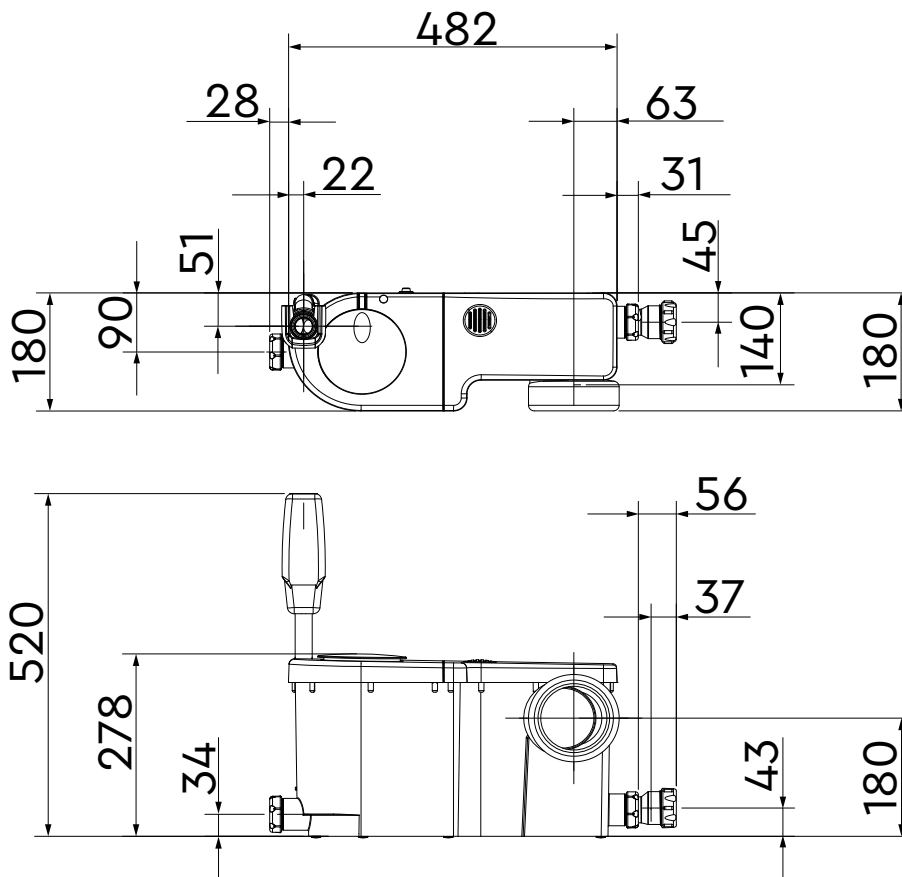
- 2 year guarantee
- Pumps up to 5 m vertically or 52 m horizontally
- Up to 90 litres per minute flow rate
- Easy access removable cassette system
- Slimline design
- Adjustable WC coupling and two 32 mm (1¼ ") inlets
- Outlet suitable for connection to 32 mm, 28 mm or 22 mm waste pipe
- Quiet operation
- Continuously rated
- Pre-wired with 1.5 metre power cable

### Application

- Installing a WC, hand basin and shower in a basement where the appliances will be below the level of the main drain.
- Installing a WC, hand basin and shower in a location up to 52 m from the main drain.



Pump Model		WC3 46576
General	Guarantee	2 years
	Approvals	CE
Features	Adjustable WC coupling	✓
	Slimline design	✓
	Easy access cassette unit	✓
	Noise level	50 dB(A) (typical)
Material	Enclosure	Polypropylene
Performance	Maximum pumping distance (vertical)	5 metres
	Maximum pumping distance (horizontal)	52 metres
	Maximum flow	90 l/min
	Maximum ambient air temperature	40 °C
	Min / Max water temperature	Min 4 °C / Max 50 °C
Connections	WC	102 mm dia.
	Inlet(s)	40 mm (1½ ") dia.
	Outlet	32 mm, 28 mm, 22 mm waste pipe adaptor
Motor	Duty rating	Continuous (S1)
Electrical	Power supply / phase / frequency	230 V a.c. / 1 / 50 Hz
	Current (full load)	2.2 Amps
	Power consumption	500 Watts
	Fuse rating	5 Amps
	Power cable (pre-wired)	1.5 metres
Physical	Enclosure protection	IPX4
	Width	482 mm
	Depth	180 mm
	Depth behind pan	140 mm
	Height (excluding hoses)	278 mm
	Weight (including fittings)	8.2 Kg



Stuart Turner Limited reserves the right to amend specifications without notice.