

# STUART

## CH CI Centrifugal Pumps

The CH Cast Iron pump is a compact, high performance pump designed for continuous operation and will deliver flow rates up to 190 litres per minute and heads up to 44 metres.

50 Hz



**1 YEAR**  
GUARANTEE

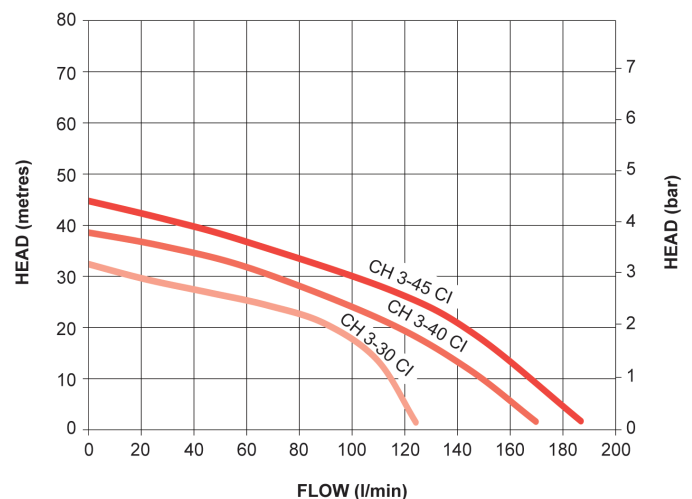
From **74** dB(A)  
Quiet Operation

### Features

- Flow rates up to 190 litres per minute and heads up to 44 metres
- Standard control
- Cast iron pump body and stainless steel impeller
- Centrifugal single stage pump
- Continuously rated
- 1 year guarantee

### Application

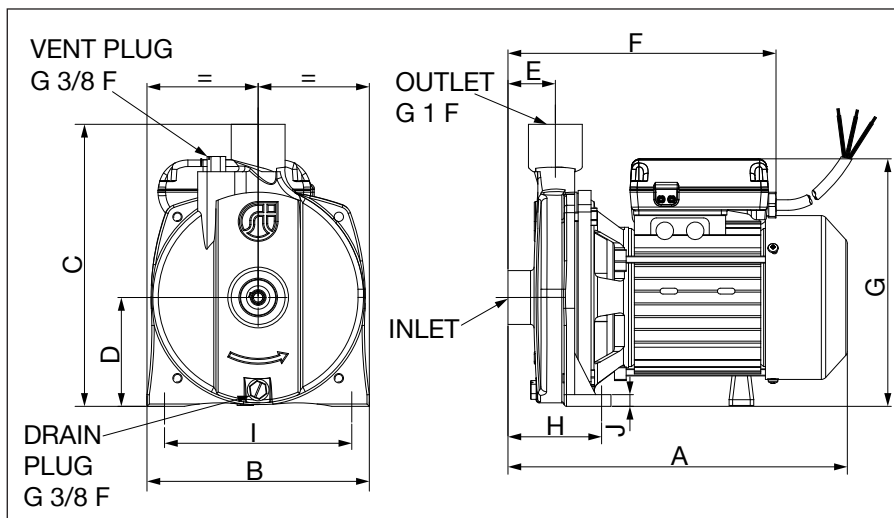
- The CH CI centrifugal range is designed to pump clean water. Other clean, non aggressive, non explosive liquids with similar characteristics to water may be pumped. Please consult Stuart Turner Ltd for guidance



Pump Model		CH 3-30 CI 50 Hz 46671	CH 3-40 CI 50 Hz 46715	CH 3-45 CI 50 Hz 46716
General	Rating	1 hp	1.5 hp	2 hp
	Guarantee	1 year		
	Approvals	CE		
Features	Pump type	Centrifugal		
	Priming vent plug	✓	✓	✓
	Self priming	✓	✓	✓
	Typical noise	74 dB(A)	75 dB(A)	77 dB(A)
Materials	Pump body	Cast iron		
	Impeller	Stainless steel		
	Mechanical seal	Nitrile / Carbon / Ceramic		
Performance	Maximum head – closed valve	32 metres	39 metres	44 metres
	Performance @ 50 l/min	25 metres	33 metres	37 metres
	Performance @ 100 l/min	20 metres	27 metres	33 metres
	Maximum flow	120 l/min	170 l/min	190 l/min
	Minimum static inlet pressure	0.5 bar (5 metres)		
	Maximum static inlet pressure	2.8 bar (28 metres)		
	Maximum working pressure*	600 kPa (6 bar)		
	Maximum viscosity	50 secs redwood no 1 9.5 centistokes		
	Maximum ambient air temperature	50 °C		
	Min / Max water temperature	Min 4 °C / Max 65 °C		
Maximum suction lift**	4.6 metres	4.6 metres	4.6 metres	
Connections	Pump connections	G 1 female	G 1¼ female (inlet), G 1 (outlet)	G 1¼ female (inlet), G 1 (outlet)
Motor	Type	Induction, auto-reset thermal trip		
	Duty rating	Continuous (S1)		
Electrical	Power supply (Vac/Ph/Hz)	230 V a.c. / 1 / 50 Hz		
	Power P1	1050 Watts	1730 Watts	2241 Watts
	Power P2	724 Watts	1193 Watts	1546 Watts
	Current – full load	4.8 Amps	7.64 Amps	9.84 Amps
	Fuse rating	13 Amps		
Physical	Enclosure protection	IP44		
	Length	290 mm	324 mm	321 mm
	Width	190 mm	211 mm	230 mm
	Height – excluding hoses	240 mm	260 mm	285 mm
	Weight – including fittings	13.15 Kg	18.75 Kg	21.55 Kg

\* The maximum pressure that can be applied to the pump under any installation conditions.

\*\* With footvalve fitted.



Pump Description	CH 3-30 CI	CH 3-40 CI	CH 3-45 CI
Dimension 'A'	290 mm	324 mm	321 mm
Dimension 'B'	190 mm	211 mm	230 mm
Dimension 'C'	240 mm	260 mm	285 mm
Dimension 'D'	93 mm	110 mm	115 mm
Dimension 'E'	45 mm	51 mm	48 mm
Dimension 'F'	230 mm	245 mm	242 mm
Dimension 'G'	211.5 mm	234 mm	239 mm
Dimension 'H'	80 mm	96 mm	88 mm
Dimension 'I'	160 mm	163 mm	186 mm
Dimension 'J'	10 mm	10 mm	14 mm
Inlet	G 1 F	G 1¼ F	G 1¼ F

Stuart Turner Limited reserves the right to amend specifications without notice.