

STUART

Digital Pressurisation Units – Midi

Suitable for maintaining pressure in large domestic and commercial sealed heating systems, chilled water systems, refrigeration units and industrial cooling systems.

Stuart SPU Midi units feature continuously rated brass peripheral pumps, are exceptionally easy to install and commission and are suitable for either floor or wall mounting.



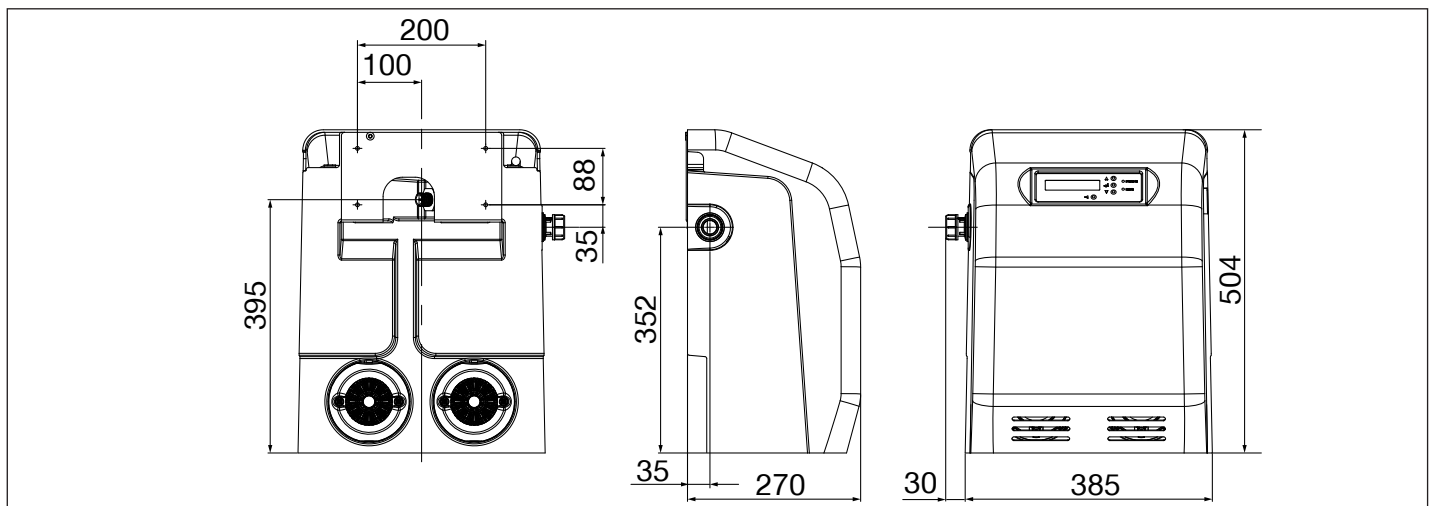
Features

- Suitable for sealed systems of up to 300,000 litres
- Single (Duty) or twin (duty-standby) pump options
- 3.5/4.1 bar cold fill pressure
- 8 litre tank capacity
- Compact size, wall or floor mounting
- Digital control system and LCD graphic display
- Automatic system fill and top-up
- Easy to install and set up
- High flow, WRAS approved fill valve
- Inlet and outlet configurable for left or right connection with flexible hoses (supplied)
- Category 5 backflow protection, Type AB air gap, weir overflow and warning pipe
- Patent protected
- 2 year guarantee

Application

- Maintaining system pressure in large domestic and commercial sealed heating systems
- Maintaining system pressure in chilled water systems, refrigeration units and industrial cooling systems

Pump Model		SPU 135 Midi 46721	SPU 235 Midi 46722	SPU 150 Midi 46723	SPU 250 Midi 46724
General	Guarantee	2 year			
	Approvals	CE			
Features	System capacity	Up to 300,000 litres			
	Mounting	Wall or floor mount			
	Pump control system	✓	✓	✓	✓
	Intelligent control interface	✓	✓	✓	✓
	System fill mode	✓	✓	✓	✓
	Dry run protection	✓	✓	✓	✓
	Typical noise	60 dB(A)	60 dB(A)	62 dB(A)	62 dB(A)
Materials	Break tank	Polyethylene			
	Front cover	Acrylic capped ABS			
Performance	Maximum fill pressure	3.5 bar (350 kPa)		4.1 bar (410 kPa)	
	Maximum flow	17 l/min		20 l/min	
	Maximum inlet pressure – tank fill valve	7 bar (700 kPa)			
	Maximum working pressure	6 bar			
	Ambient air temperature	Min 4 °C / Max 40 °C			
	Relative humidity	95 % non-condensing			
	Min./Max. water temperature	Min 4 °C / Max 23 °C			
Water tank	Usable water capacity	8 litres			
	Inlet valve and fill rate	Torbeck (side entry) 12 l/min			
	Fluid category	CAT 5 (type AB air gap with weir)			
Connections	Cold water inlet and outlet	15 mm compression x 600 mm flexible hose			
	Overflow	G ¾ (19 – 23 mm diameter pipe compression fitting)			
Pump	Number of pumps	1	2	1	2
	Pump mode	Duty	Duty-standby	Duty	Duty-standby
	Pump type	Peripheral			
	Motor type	Induction, auto-reset thermal trip			
	Duty rating	Continuous (S1)			
	Pump head and impeller	Brass			
Electrical	Power supply (Vac/Ph/Hz)	230 V a.c. / 1 / 50 Hz			
	Power consumption – P1	380 Watts		545 Watts	
	Current – full load	1.7 Amps		2.4 Amps	
	Fuse rating	5 Amps			
	Power cable length	1.5 metres (pre-wired)			
	Alarm output	Multiple			
Physical	Enclosure protection	IPX4			
	Width	415 mm			
	Depth	270 mm			
	Height	504 mm			
	Weight – including fittings	13.4 Kg	19.4 Kg	13.4 Kg	19.4 Kg
	Weight – filled	23.4 Kg	29.4 Kg	23.4 Kg	29.4 Kg



Stuart Turner Limited reserves the right to amend specifications without notice.