

Radii Kerb

Curves & arcs.

Radii Kerbs is an extensive range including both concave and convex kerbs, so any type of bend, curve or arc can be created. Choose from standard or granite finish.

- Specially manufactured radius kerbs, either concave or convex
- Attractive finish options
- Provides high quality detailing

Ef-Stop®

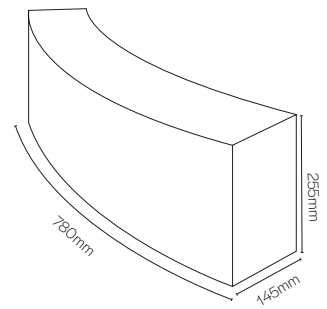
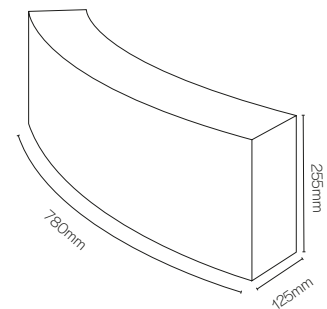
TGA

Textured
Granite Aggregate

Finish



Pedestrian
Use



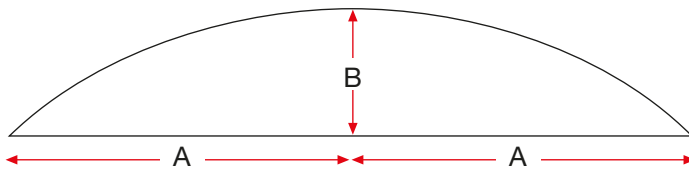
Sizes



Radii Kerb

Calculating the radius of a curve

The size of any radius can be determined by measuring the length of a chord stretched between the arc and then measuring a perpendicular to that chord at the centre. This is illustrated in the diagram below. This is a handy equation often used on site to determine the size of an unknown radius that is to be kerbed, so that the correct size of radius kerbs can be used.



$$\text{Radius} = \frac{A^2 + B^2}{2B}$$

The size of a radius is ALWAYS measured to the face of the kerblines, whether the radius is internal or external.

Specification



Product type	Concrete Kerb
Manufactured to	BS EN 1340:2003
Strength	Typical tensile splitting strength of >3.5MPa
Installed to	BS 7533-6:1999
NSPlus	Plus Q10 110 Create 45-20-64/370
Applications	As per Country Kerb
Energy used	100% renewable energy
Water used	100% from our rainwater harvesting system and groundwater bore hole
Recycled content	Not less than 5%
Carbon footprint	13kgCo2e/ea
Recyclable	100% of this product can be recycled
Manufacturing & Delivery	From one location within the UK
breeam rating www.bre.co.uk	Refer to the Green Guide to Specification, 4th Edition 2009.

Tobermore products are manufactured in accordance with an accredited ISO 9001:2015 quality. Manufacturing facilities are accredited to ISO14001:2015 Environmental Management. The company publish environmental labels and declarations in accordance with BES 6001.

Contact Us

GB: 0844 800 5736
 NI: 028 7964 2411
 ROI: 048 7964 2411

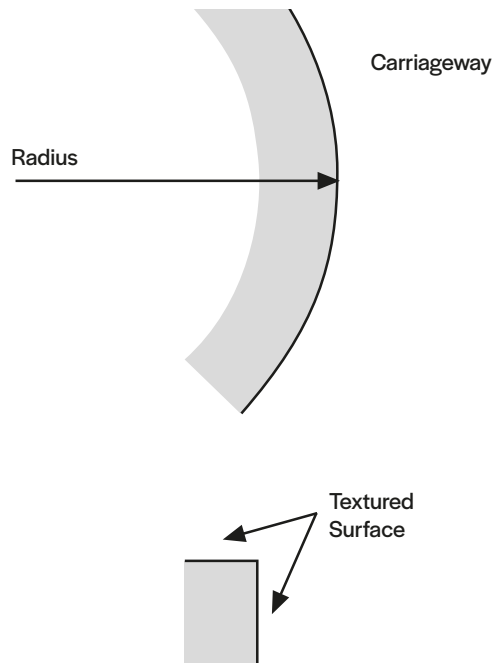
Email

technical@tobermore.co.uk
 sales@tobermore.co.uk

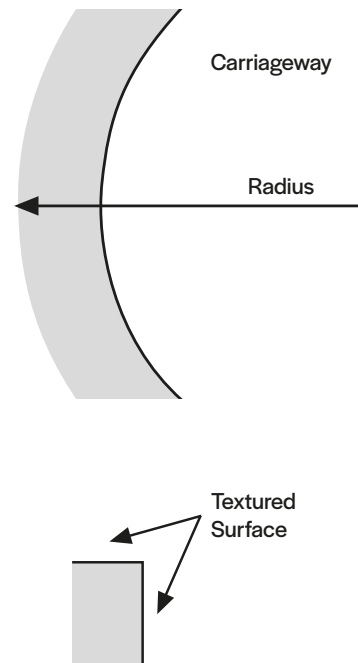
tobermore.co.uk

Radii Kerb

Convex (external) Radius



Concave (internal) Radius



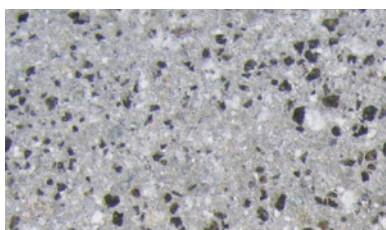
Stock

product	size (mm)	no. per quarter circle	colours available	in stock	no. per pack	weight kg per pack GB	weight kg per pack NI/ROI
Radii Kerb 125mm (*radius of curve)	255 x 125 x 780 (1m*)	2	Granite Aggregate	TEXTURED TO ORDER	18	1206	1206
	255 x 125 x 780 (3m*)	2	Standard Aggregate, Granite Aggregate	TEXTURED TO ORDER	18	1206	1206
Internal or External	255 x 125 x 780 (4m*)	8	Granite Aggregate	TEXTURED TO ORDER	18	1206	1206
	255 x 125 x 780 (5m*)	10	Granite Aggregate	TEXTURED TO ORDER	18	1206	1206
	255 x 125 x 780 (6m*)	12	Standard Aggregate, Granite Aggregate	TEXTURED TO ORDER	18	1206	1206
	255 x 125 x 780 (9m*)	18	Standard Aggregate, Granite Aggregate	TEXTURED TO ORDER	18	1206	1206
	Radii Kerb 145mm (*radius of curve)	255 x 145 x 780 (1m*)	2	Granite Aggregate	TEXTURED TO ORDER	16	1998
Internal or External	255 x 145 x 780 (3m*)	6	Granite Aggregate	TEXTURED TO ORDER	16	1998	1998
	255 x 145 x 780 (4m*)	8	Granite Aggregate	TEXTURED TO ORDER	16	1998	1998
	255 x 145 x 780 (5m*)	10	Granite Aggregate	TEXTURED TO ORDER	16	1998	1998
	255 x 145 x 780 (6m*)	12	Granite Aggregate	TEXTURED TO ORDER	16	1998	1998
	255 x 145 x 780 (9m*)	18	Granite Aggregate	TEXTURED TO ORDER	16	1998	1998

Standard Aggregate



Granite Aggregate



Contact Us

GB: 0844 800 5736
 NI: 028 7964 2411
 ROI: 048 7964 2411

Email

technical@tobermore.co.uk
 sales@tobermore.co.uk