



CONTEMPORARY PLAYSCAPES



CONTEMPORARY PLAYSCAPES



Multi
Playscapes
9

From Toddlers to Teens and everywhere in between - there's a huge variety of fantastic modular play systems in our Contemporary Playscapes range, all of which offer challenging and exciting play options packed with inspirational features.

Using innovative design and latest technology, the Contemporary range is bang on trend.



Musical
Playscapes
145



Toddler
Playscapes
67

Playscape
Classics
79



Agility
Playscapes
115

WICKSTEED
playscapes



ReActions

Modular Play System
Age range 8 to adult



Wicksteed - Naturally

ReActions - a funky play system particularly aimed at the over 8 year olds.

There is plenty of variety in ReActions' cool, streamline and intriguingly futuristic form - designed to increase general fitness and boost youngsters' naturally competitive edge.

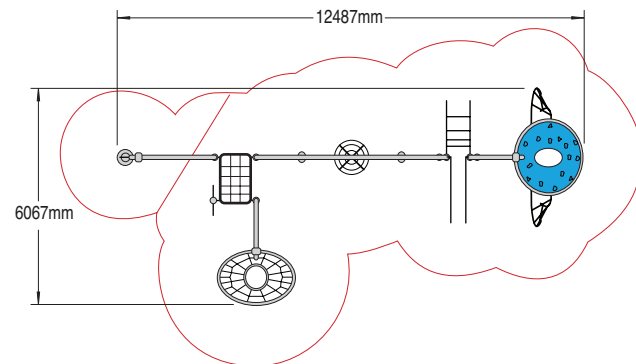


Zenith

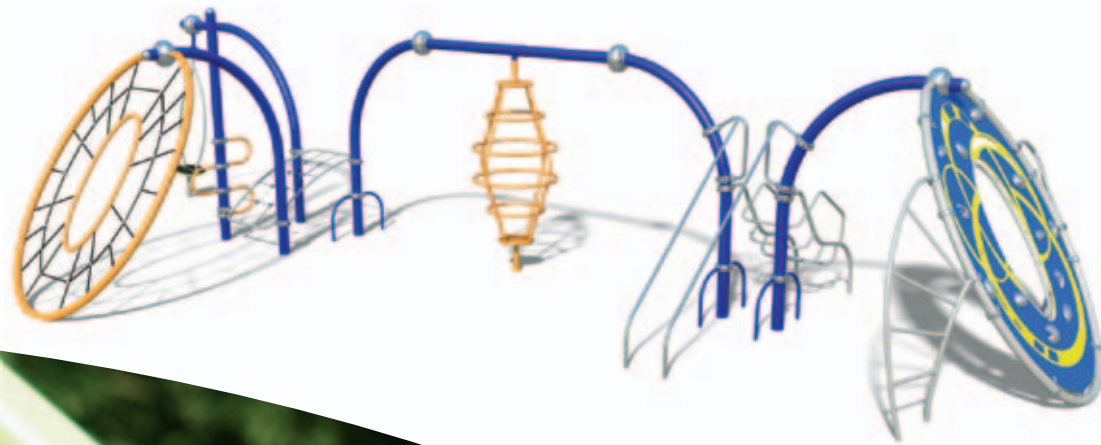
Product code: 660-ZENI

10 Play Features

- Circular Net Climber
- S Ladder
- Action Spinner
- Net Scrambler
- Revolving Whirl
- Bannister Slide & Steps c/w two curved connectors
- Circular Climbing Wall
- Two Access Ladders



Wet Pour Safety Surfacing
2.4m FFH: 79m² x 90mm
2.0m FFH: 12m² x 70mm

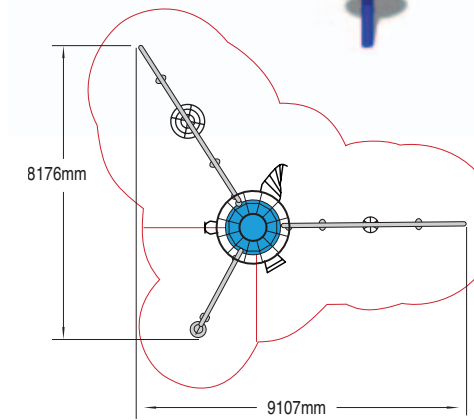
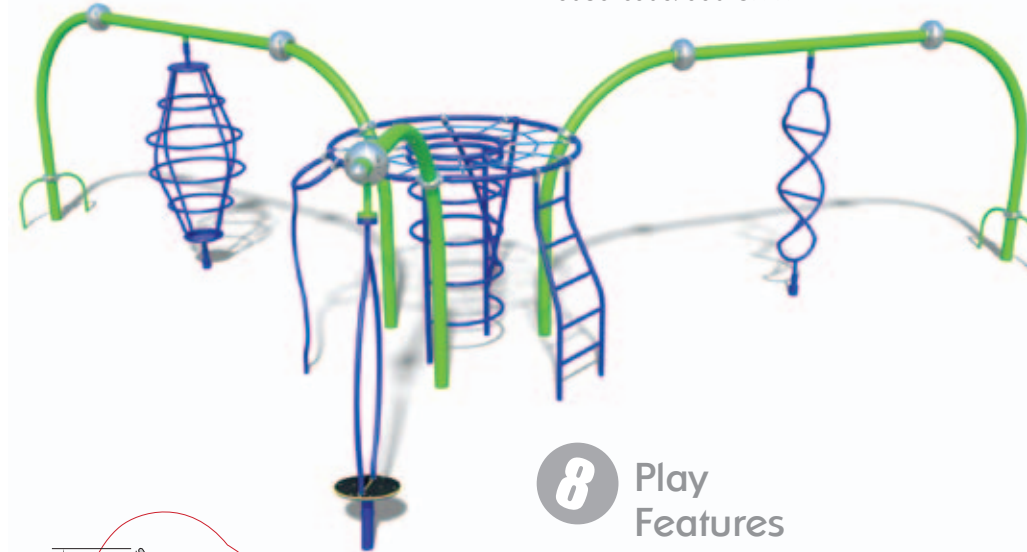


Galactica

Product code: 660-GALA

8 Play Features

- Revolving Whirl
- Pole Slider
- Action Spinner
- Wavy Ladder
- Stellar Spinner
- Twisted Ladder
- Tube Climber
- Rope Deck



Wet Pour Safety Surfacing
2.1m FFH: 63m² x 80mm
2.0m FFH: 15m² x 70mm



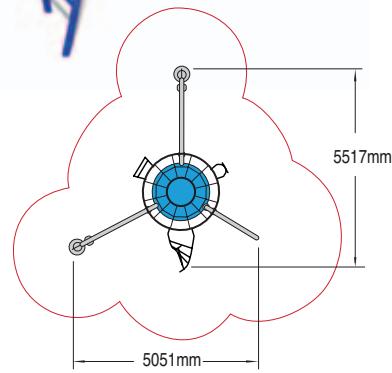


The Cusp

Product code: 660-CUSP

8 Play Features

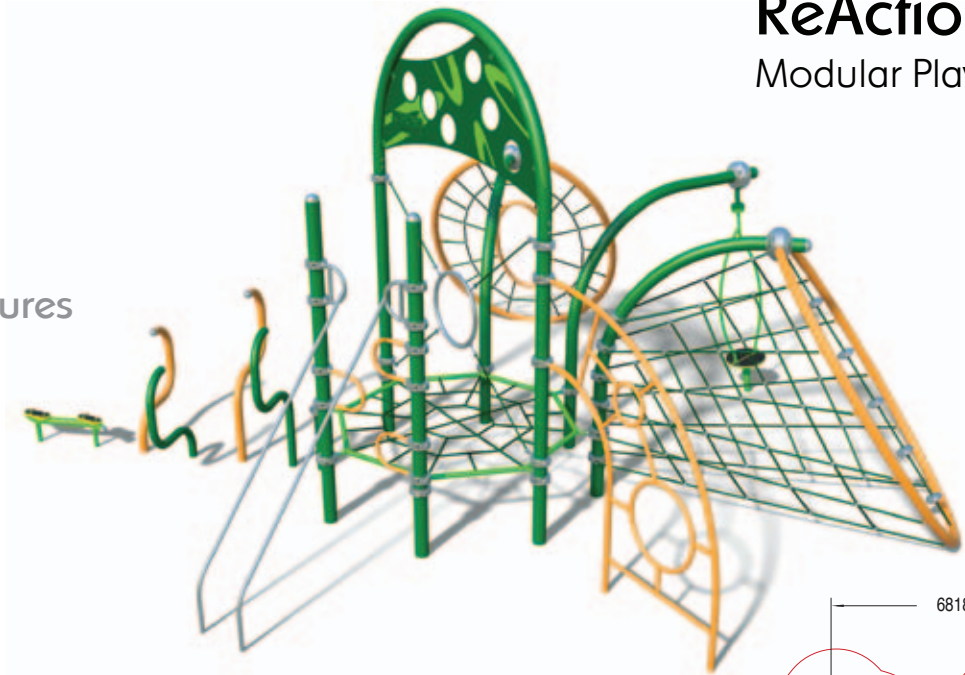
- Two Action Spinners
- Wavy Ladder
- Twisted Ladder
- Lunar Ladder
- Pole Slider
- Tube Climber
- Rope Deck



Wet Pour Safety Surfacing
2.0 FFH: 53m² x 70mm



ReActions Modular Play System

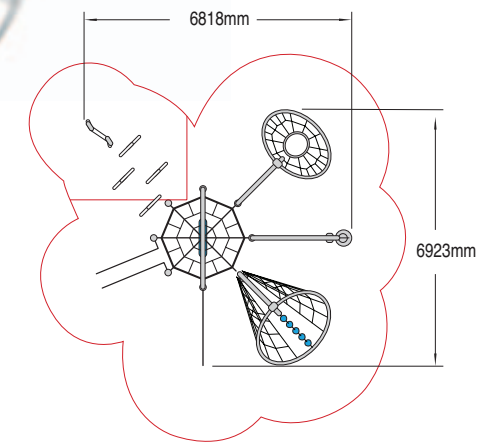


Polaris

Product code: 660-POLA

17 Play Features

- ReAction Arch Tower
- Octagon Net Deck
- Gymnastic Ring
- Step Link
- Icon Crossing
- Bannister Slide
- Bannister Slide Ladder
- Link ReAction Ladder
- Funnel Net Climber
- Action Spinner
- Circular Net Climber

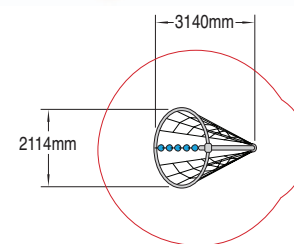
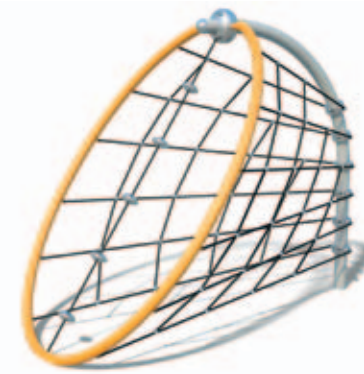


Wet Pour Safety Surfacing
2.4m FFH: 70m² x 90mm
2.0m FFH: 12m² x 70mm



The Orb

Product code: 660-ORB



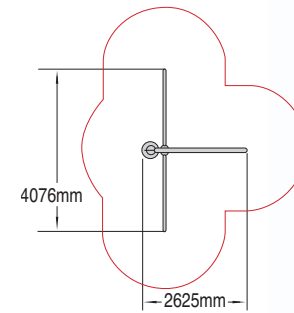
Wet Pour Safety Surfacing
2.4m FFH: 25m² x 90mm





RotaAction

Product code: 660-ROTA



Wet Pour Safety Surfacing
0.6m FFH: 19m² x 20mm

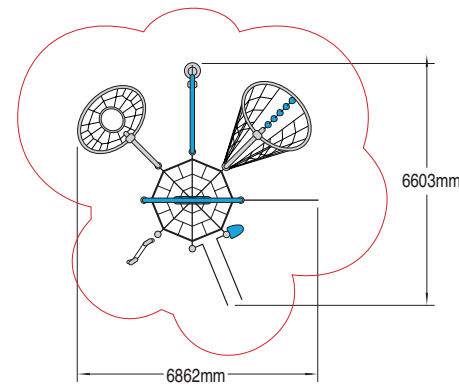


Quasar

Product code: 660-QUAS

10 Play Features

- ReAction Arch Tower
- Octagon Net Deck
- Gymnastic Ring
- Circular Net Climber
- Step Link
- Bannister Slide
- Bannister Slide Ladder
- Link ReAction Ladder
- Funnel Net Climber
- Action Spinner



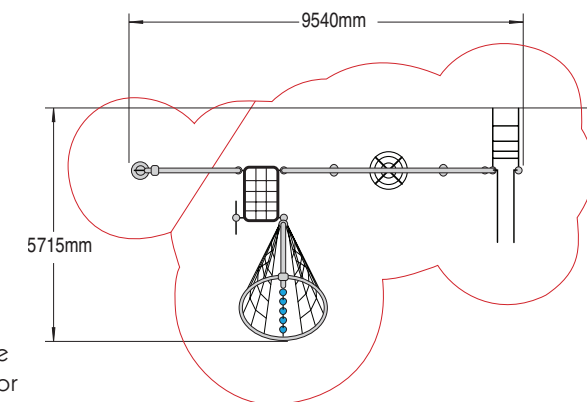
Wet Pour Safety Surfacing
2.4m FFH: 74m² x 90mm

Equinox

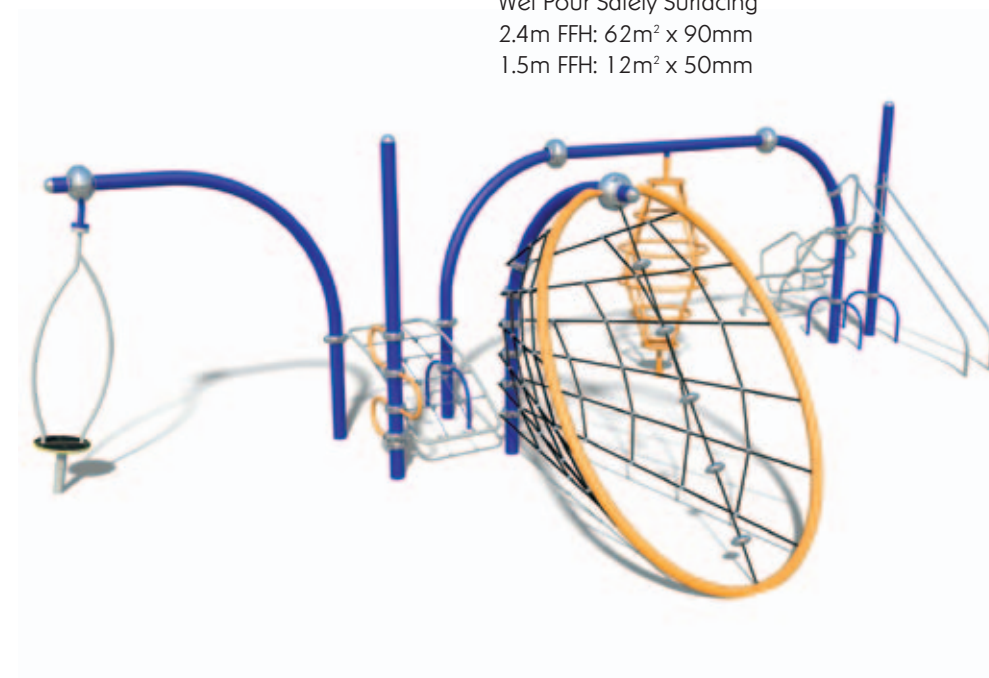
Product code: 660-EQUI

7 Play Features

- Action Spinner
- Net Scrambler
- S Ladder
- Funnel Net Climber
- Revolving Whirl
- Bannister Slide & Steps c/w one curved & one straight connector

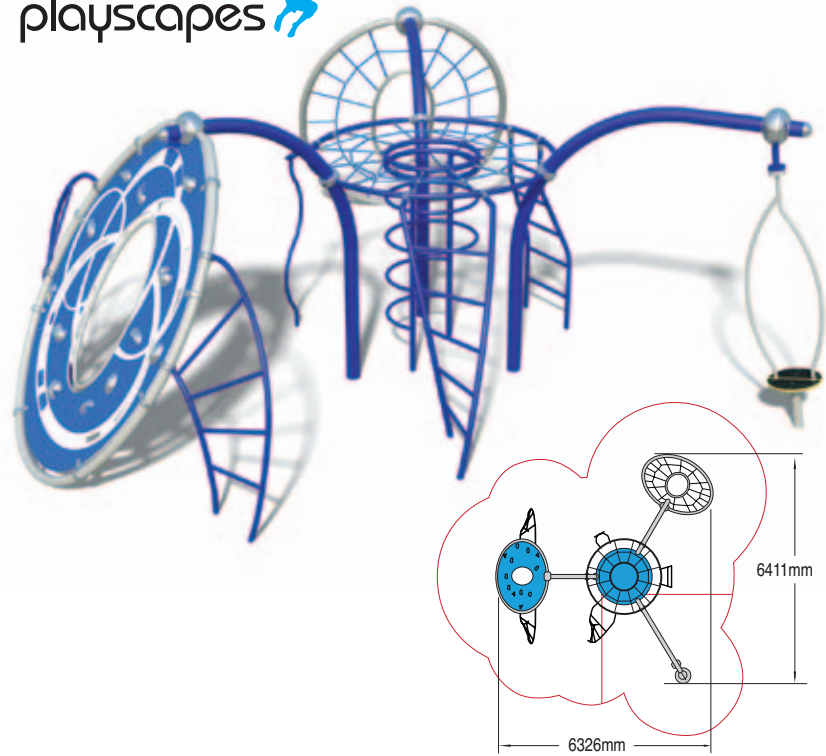


Wet Pour Safety Surfacing
2.4m FFH: 62m² x 90mm
1.5m FFH: 12m² x 50mm



ReActions
Modular Play System





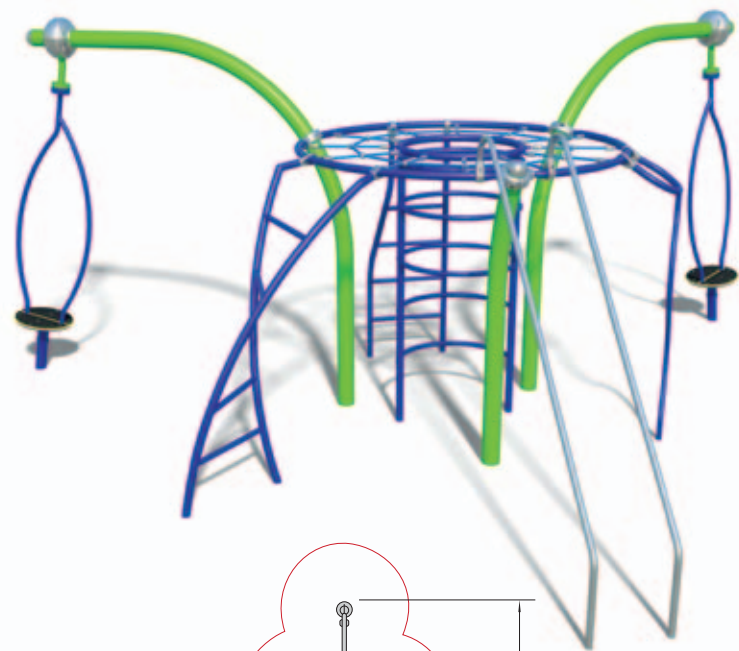
Spectra

Product code: 660-SPEC

10 Play Features

- Circular Climbing Wall
- Two Access Ladders
- Twisted Ladder
- Action Spinner
- Wavy Ladder
- Circular Net Climber
- Pole Slider
- Tube Climber
- Rope Deck

Wet Pour Safety Surfacing
2.4m FFH: 50m² x 90mm
2.0m FFH: 15m² x 70mm

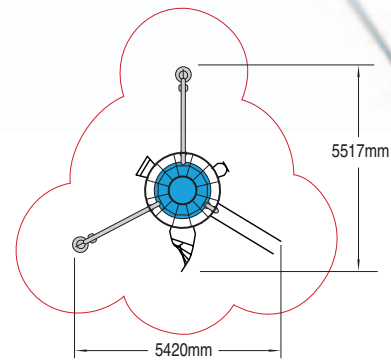


Eclipse

Product code: 660-ECLI

8 Play Features

- Two Action Spinners
- Twisted Ladder
- Bannister Slide c/w tube fixings
- Tube Climber
- Pole Slider
- Wavy Ladder
- Rope Deck



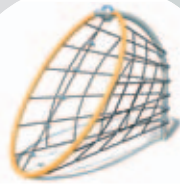
Wet Pour Safety Surfacing
1.8m FFH: 54m² x 70mm



Aesthetically colour co-ordinated with an appealing fluidity to the linear structure, this innovative range definitely captures teenagers' imaginations and keeps them physically challenged - whilst also providing a "happening" place to simply hangout.



Play Features



Funnel Net Climber
Product code 6600-001



Link ReAction Ladder
Product code 6600-002



Step Link
Product code 70337



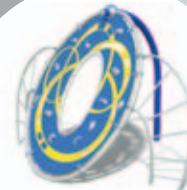
Icon Crossing
Product code 6600-004



Circular Net Climber
Product code 6600-005



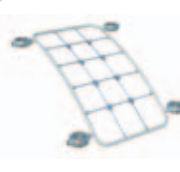
Octagon Net Deck
Product code 6600-006



Circular Climbing Wall c/w
two Access Ladders
Product code 6600-007



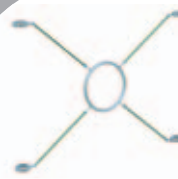
Revolving Whirl
Product code 6600-008



Net Scrambler
Product code 6600-009



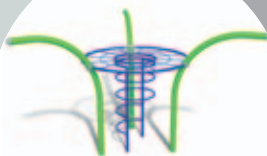
S Ladder
Product code 6600-010



Gymnastic Ring
Product code 6600-011



ReAction Arch Tower
Product code 6600-012



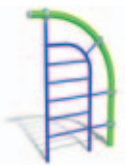
Tube Climber and Rope Deck
Product code 6600-013



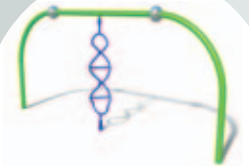
Twisted Ladder
Product code 6600-014



Pole Slider
Product code 6600-015



Lunar Ladder
Product code 6600-016



Stellar Spinner
Product code 6600-017



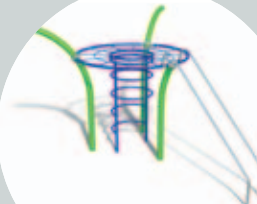
Wavy Ladder
Product code 6600-018



Action Spinner
Product code 6020-073



Bannister Slide & Ladder
Product code 6600-020



Bannister Slide c/w tube fixings
Product code 6600-021



Bannister Slide & Steps c/w
one curved & one straight connector
Product code 6600-019



Bannister Slide &
Steps c/w two curved connectors
Product code 6600-003

