

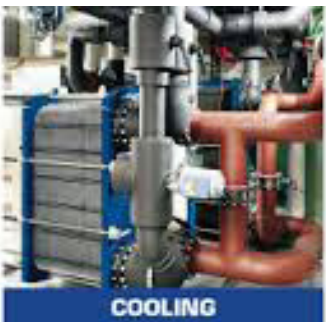
# AEL

# PRODUCT RANGE DN 32+ / 1 1/4"

MODEL: AEL20+ AEL40+ AEL80+



HEATING



COOLING

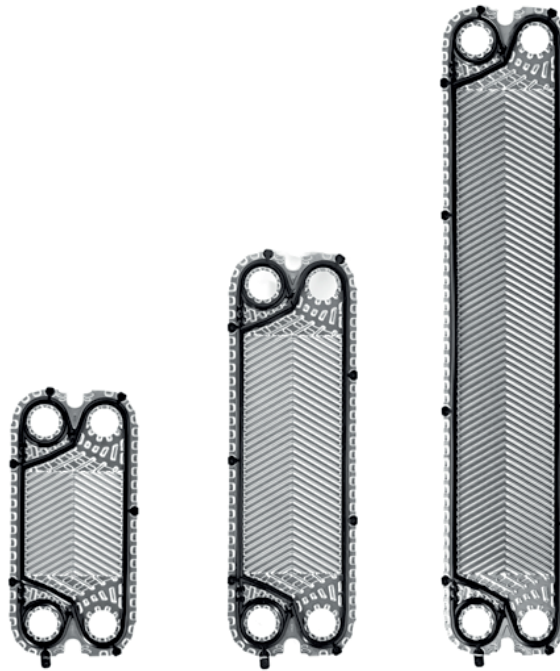


ENERGY RECOVERY

# AEL

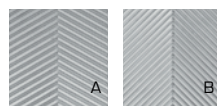
HEATING SOLUTIONS

PRODUCT RANGE DN 32+ / 1 1/4"



Product Range	AEL20+	AEL40+	AEL80+
Exchange area [m <sup>2</sup> ]	0,021	0,041	0,081
Width [mm]	145	145	145
Height [mm]	305	455	740
Connections diameter	DN32 1 1/4"	DN32 1 1/4"	DN32 1 1/4"
Channel capacity [l]	0,063	0,103	0,181
Tightening quote [mm]	2,9	2,9	2,9
Plate weight (with gasket) [Kg]	0,18	0,27	0,45
Corrugation angle	A	A	A
Max. water flowrate [m <sup>3</sup> /h]	19 (5.27L/S)	19 (5.27L/S)	19 (5.27L/S)
PS=> Max working pressure [bar]	6 10 16 25	6 10 16 25	6 10 16 25

Ex art. 3.3 D.Lgs. 93 of 25/02/2000 in accordance with Directive 97/23/CE.  
Announced pressions are referred to AISI 316L plates.

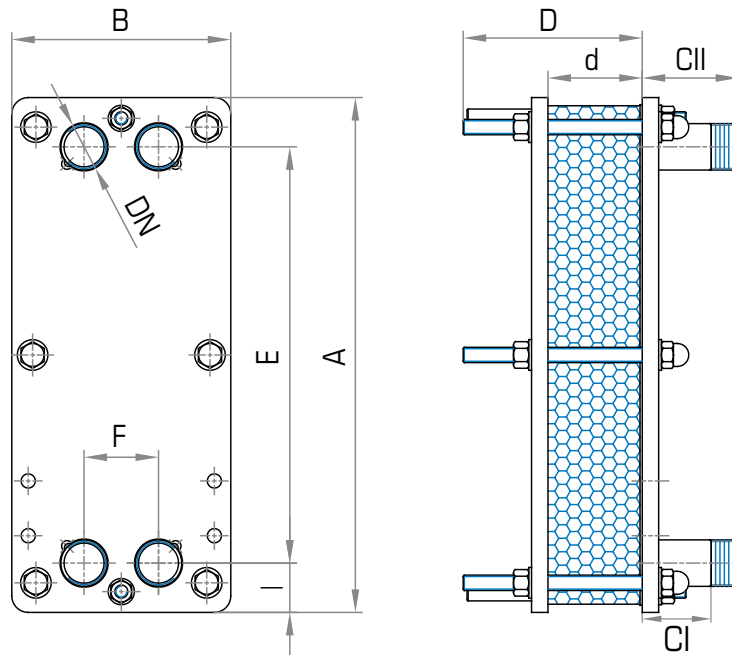


Plates are available in two thermal lengths (A/B)

DN32	DN50	DN65	DN100	DN150	DN200
------	------	------	-------	-------	-------

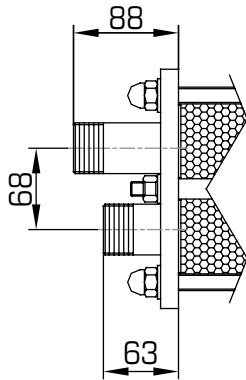
All data and drawings herewith described can be changed without prior notice and are not binding for the manufacturer

# FRAMES DIMENSIONS



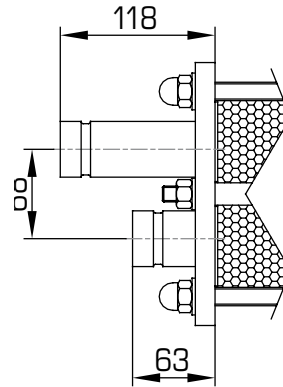
		AEL20+			AEL40+			AEL80+			
A		320			470			755			
B		200			200			200			
E		230			380			665			
F		68			68			68			
I		45			45			45			
Np max		29	49	75	29	49	75	29	49	75	101
D max		169	269	469	169	269	469	169	269	469	580
d (J-J)		2,9 x Np+2			2,9 x Np+2			2,9 x Np+2			
DN		DN32 1"1/4			DN32 1"1/4			DN32 1"1/4			
STANDARD	C I	63			63			63			
J-J	C II	88			88			88			
M-M	C	73			73			73			
J-M	C I	59			59			59			
	C II	73			73			73			
Y-Y	C I	63			63			63			
	C II	118			118			118			
X-X K-K	C I	180			180			180			
	C II	176			176			176			

All dimensions are in mm - Np = number of plates



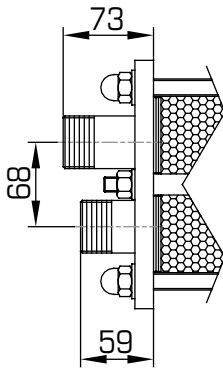
**J-J (Standard)**

AISI 316 male threaded connections



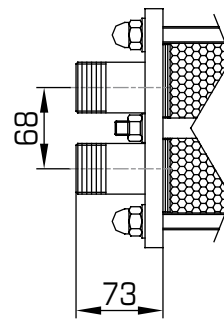
**Y-Y**

AISI 316 grooved pipe connections



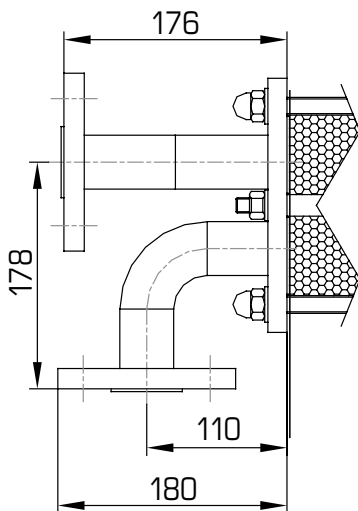
**J-M**

AISI 316 and PP male threaded connections



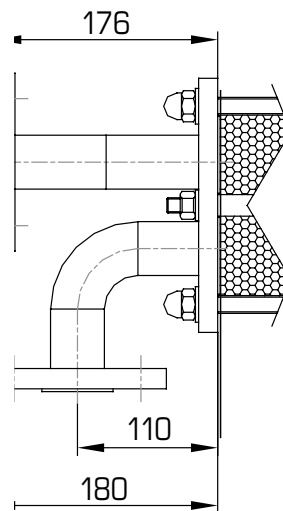
**M-M**

PP male threaded connections



**X-X**

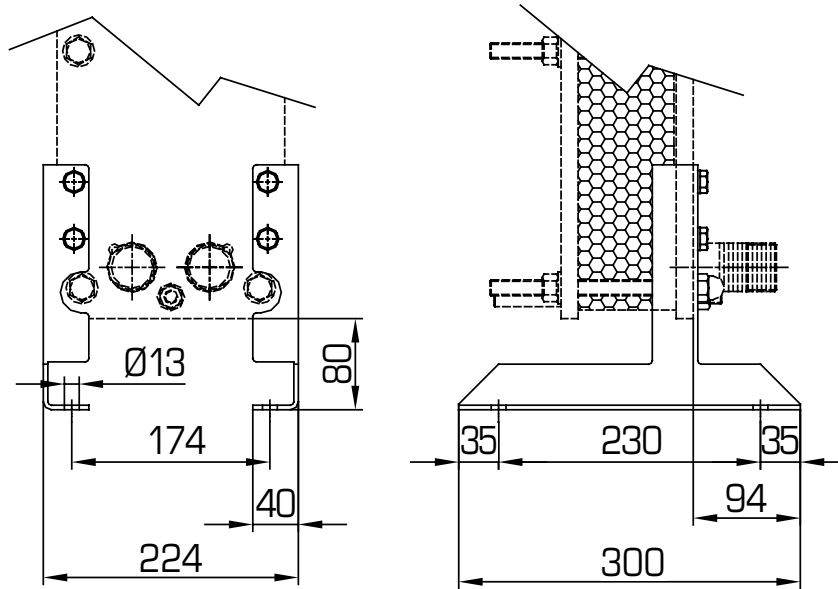
AISI 316 pipes with AISI 304 loose flanges EN 1092-1



**K-K**

AISI 316 pipes with painted carbon steel loose flanges EN 1092-1

NOTE: Check the connection on your design before assuming the standard connections will be used



MATERIALS

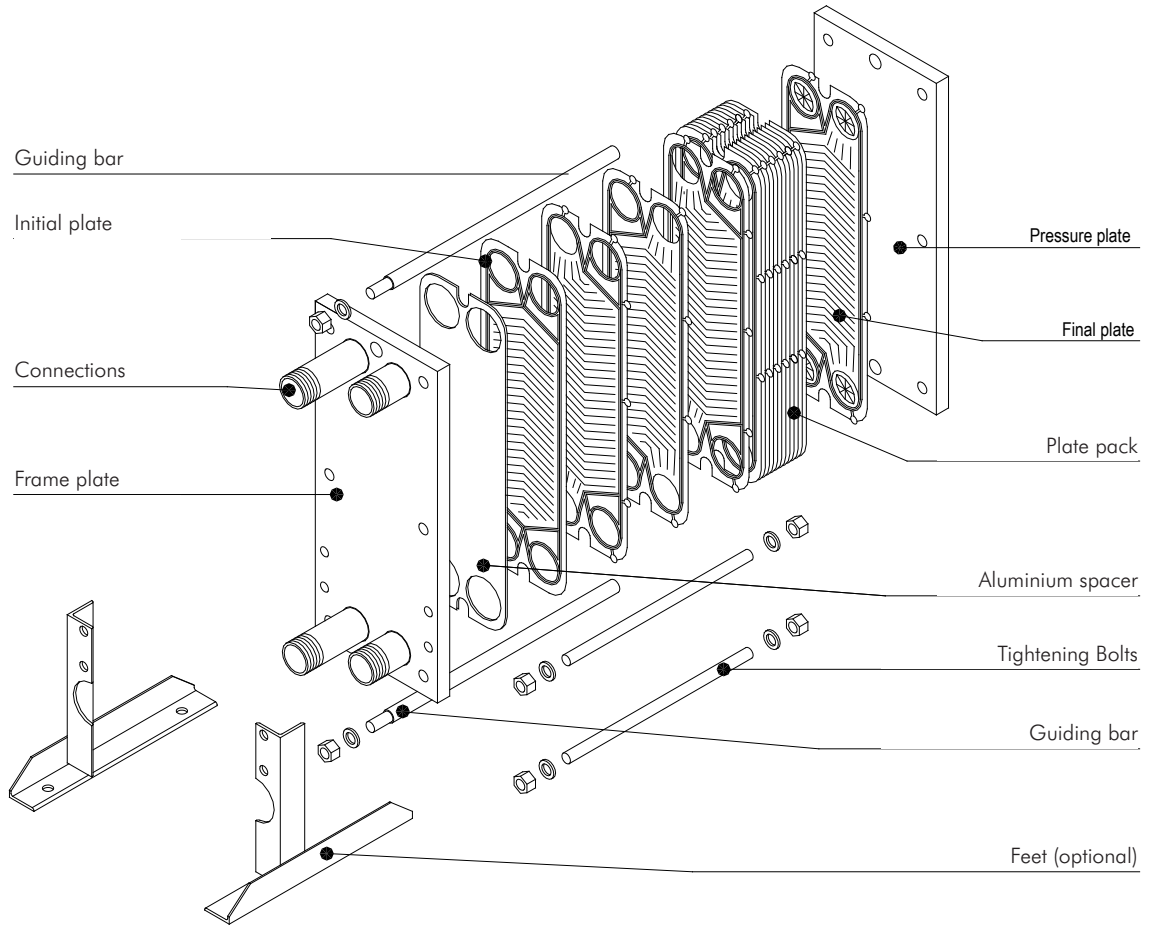
		AEL20+	AEL40+	AEL80+
Plates	AISI 304	●	●	●
	254 SMO	●	●	●
	Titanium	●	●	●
Gaskets	NBR	●	●	●
	Standard EPDM Prx.	●	●	●
	FPM	●	●	●
	HNBR	●	●	●
Frames	Carbon steel	●	●	●
	AISI 304, solid	●	●	●
	J-J	●	●	●
Connections	Y-Y	●	●	●
	J-M	●	●	●
	M-M	●	●	●
	X-X	●	●	●
	K-K	●	●	●
			●	●

Gaskets material maximum temperatures		
NBR	-20 °C	110 °C
EPDM Prx.	-20 °C	160 °C
FPM	-20 °C	200 °C
HNBR	-20 °C	160 °C

The temperatures must be considered not applicable in all working conditions.

NOTE: Do not assume that the temperatures shown are suitable for all installations

COMPONENT BLOW-UP DRAWINGS MODELS AEL20+ AEL40+ AEL80+





## CERTIFICATIONS & APPROVALS



- ISO 9001  
Quality Management
- PED  
Pressure Equipment Directive  
Module B, D1 & D (up to Risk Cat. IV)



- ACS  
Attestation de Conformité Sanitaire



- WRAS  
EPDMprx gasket compound approved



- OHSAS 18001  
Occupational Health and Safety



- ISO 14001  
Environmental Management

MADE IN ITALY



All Fully Assembled in the UK



MANUFACTURED IN EUROPE FOR THE UK

# AEL

## HEATING

**HEAD OFFICE:** 4 Berkeley Court, Manor Park,  
Runcorn, Cheshire, WA7 1TQ  
Tel: 01928 579068 Fax: 01928 579523  
e-mail: sales@aelheating.com

AEL reserve the right to alter designs and specifications without prior notice

**European Standard EN442** was brought into force to define "heat measurement sampling" for hot water radiators in all European countries, a positive step forward to ensuring radiators tested and approved will provide the stated heat output required and also give a guarantee that the product will be fit for purpose. **EN442** provides a guarantee that the stated output of radiators from reputable manufacturers is correct and highlights and deters the use of poor quality untested radiators in European installations.

Plate Heat  
Exchanger  
Packages

Cast Iron  
Radiators

High Output  
Aluminium  
Radiators

Tubular  
Steel  
Radiators

Designer  
Bathroom  
Radiators

**Corgi  
Approved  
Engineers**