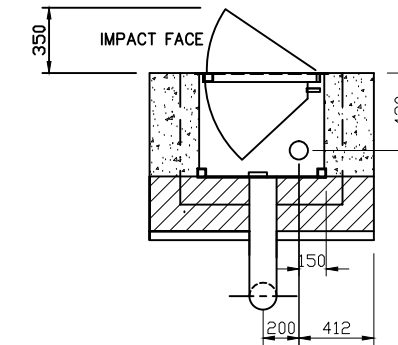
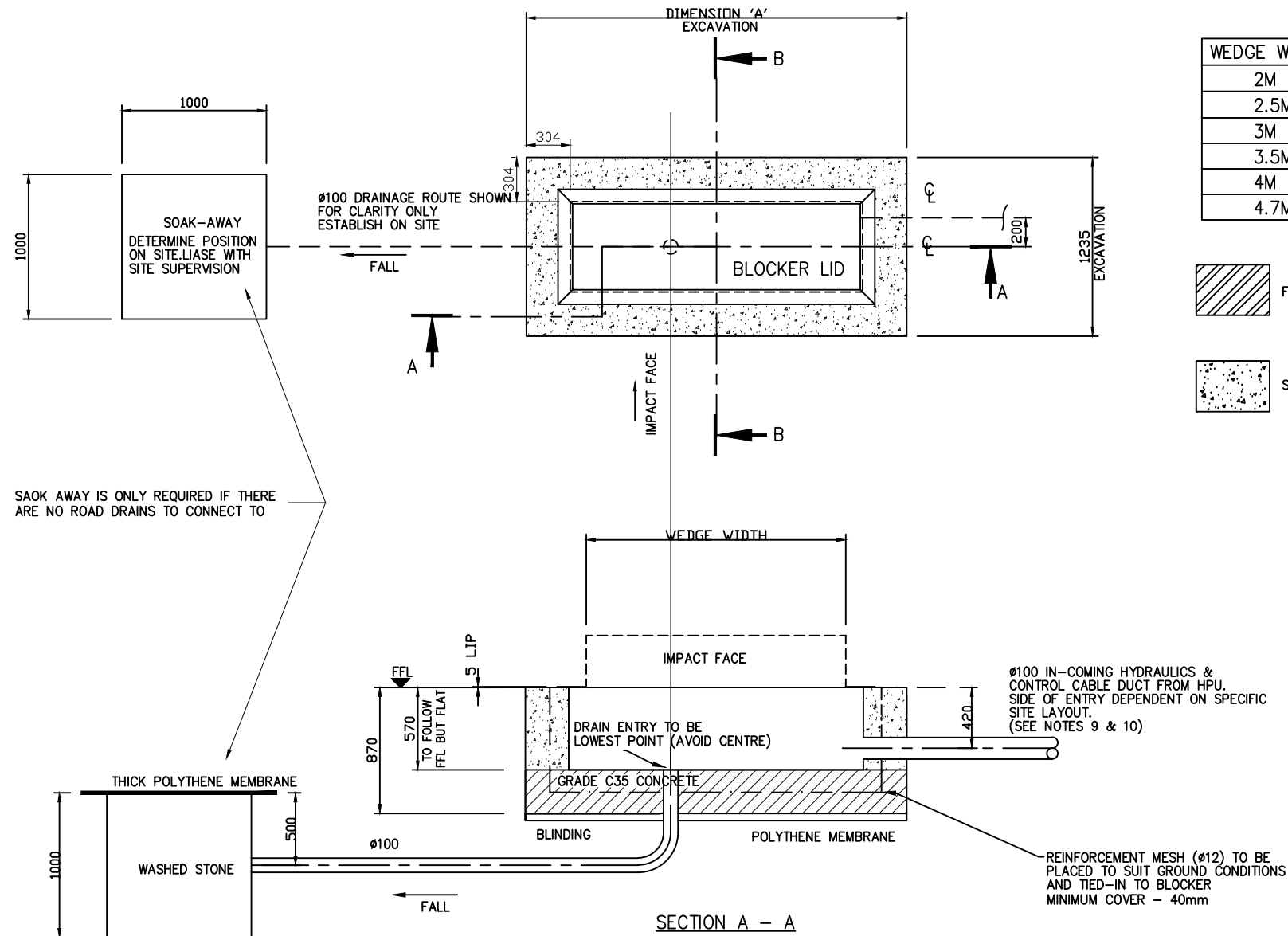
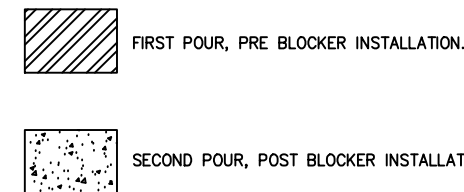


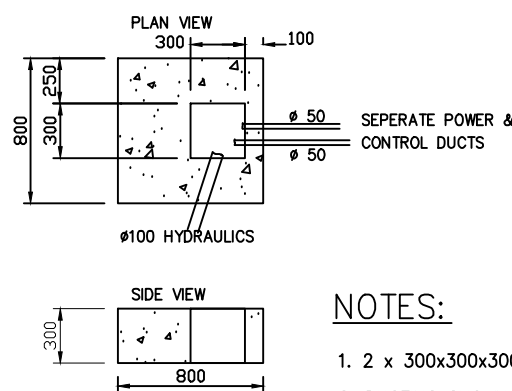
NOTES:

1. ALL CONCRETE TO BE GRADE C35 UNLESS OTHERWISE SPECIFIED, AIR-ENTRAINED AT SURFACE.
2. THIS DRAWING IS TO BE READ IN CONJUNCTION WITH ALL RELEVANT ENGINEERS AND ARCHITECTS DRAWINGS AND SPECIFICATIONS.
3. REFER TO METHOD STATEMENT AND BLOCKER INSTALLATION MANUALS FOR FURTHER INFORMATION.
4. ALL OTHER INSTALLATION INFORMATION AS PER AVON BARRIER COMPANY INSTALLATION LITERATURE.
5. ALL CONDUIT/DUCTING #50 UNLESS SPECIFIED OTHERWISE.
6. HPU SECURED TO ISLAND USING 4No. #16 CHEMI-BOLTS.
7. ALL FOUNDATION LEVELS TO BE ESTABLISHED FROM FULL SITE SURVEY PRIOR TO COMMENCEMENT OF WORKS
8. DRAINAGE TO BE IN ACCORDANCE WITH PREVAILING PROCEDURES AND INSTALLED TO INTERCEPT SOAKAWAY AS DIMENSIONED. SCUPPER TO BE POSITION AT LOWEST POINT.
9. ALL DUCTS TO BE CONSTRUCTED WITH DRAW ROPES.
10. ALL DUCTS TO BE A MIN. OF 400mm BELOW FINISHED ROAD SURFACE AND MUST HAVE SMOOTH BENDS.
11. FOUNDATION TOP TO BE SLIGHTLY PROUD TO ALLOW 'RUN-OFF'.
12. CONCRETE THICKNESS TO BE 300min..
13. BLOCKER IMPACT FACE TO BE FACING TRAFFIC FLOW.
14. WHERE EXISTING DRAINS / SERVICE DUCTS RUN BENEATH FOUNDATIONS SUITABLE PRECAUTIONS MUST BE TAKEN TO AVOID DAMAGE.
15. HPU POWER SUPPLY 3Pz 415V AC 50HZ 16AMP

WEDGE WIDTH	DIMENSION 'A'	WEIGHT
2M	2630	550 KG
2.5M	3130	
3M	3630	
3.5M	4130	
4M	4630	
4.7M	5330	



SECTION B - B



HPU POWER SUPPLY:
3Pz 415V AC 50HZ 16AMP

NOTES:

1. 2 x 300x300x300
2. DUCTING SHOWN FOR INDICATIVE PURPOSES ONLY

HPU FOUNDATION



Avon Barrier Corporation Ltd.
149 South Liberty Lane,
Ashton Vale Trading Est.
Bristol.
BS3 2TL.
UK.
T: +44 (0)117 953 5252
E: technical@avon-barrier.co.uk
W: www.avon-barrier.co.uk

ISSUE	REVISION	SIG.	DATE
F	4700 ADDED	M.J	3/12/12
E	HPU 300 WAS 800	M.J	6/12/05
D	CHART UPDATE	SE	29/6/03
C	NOTE ADDED FOR DRAINAGE	SE	5/6/03
B	DRAWING SCALED TO SIZE	SE	10/03/03

Drawing Title				
RB680 350mm NOM. LIFT ROAD BLOCKER AND HPU FOUNDATION DETAILS				
Drawn	Traced	Checked	Approved	Date
MP				5/02

3rd ANGLE PROJECTION		Used on		Drawing No.			
IF IN DOUBT ASK		COMPUTER GENERATED DO NOT ALTER BY HAND		RB680-6-01			
Material	Finish	Scale	Sht.	of	Rev.		
		1 : 40	1	1	F		