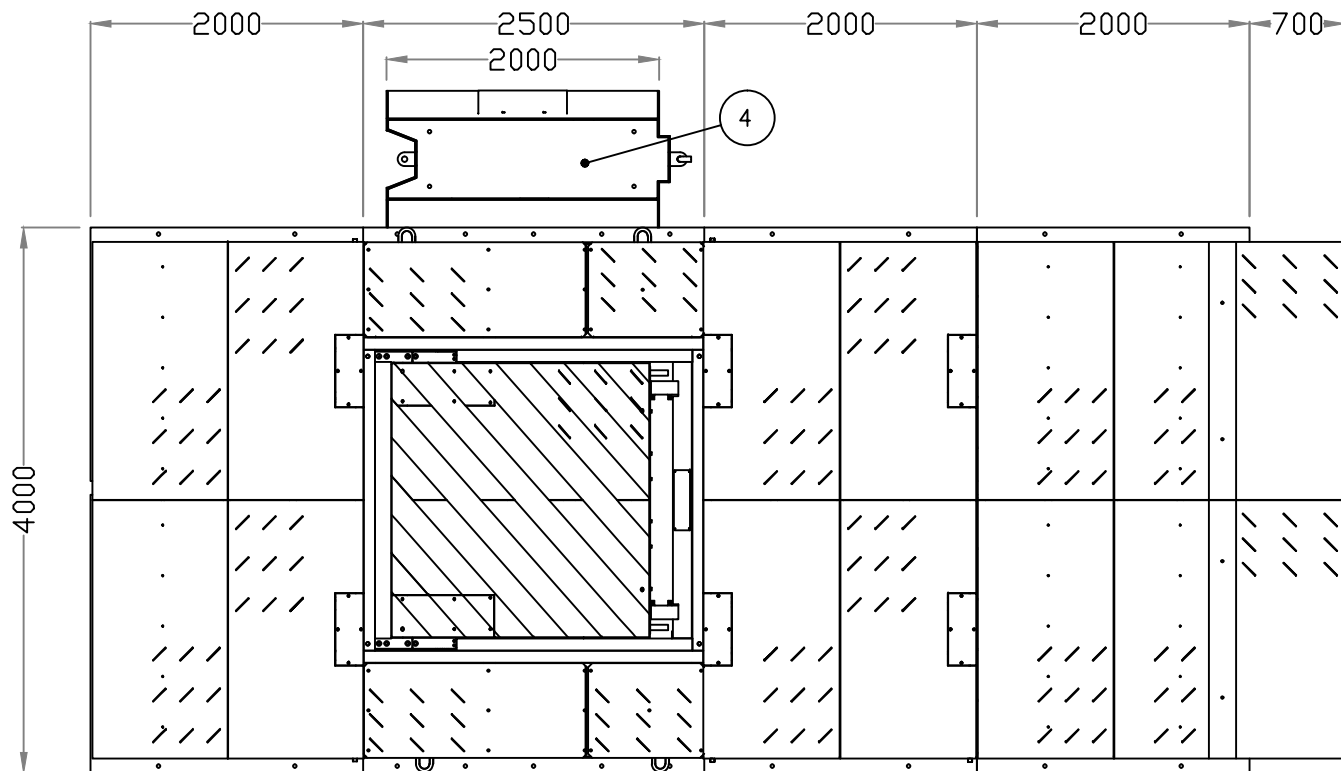
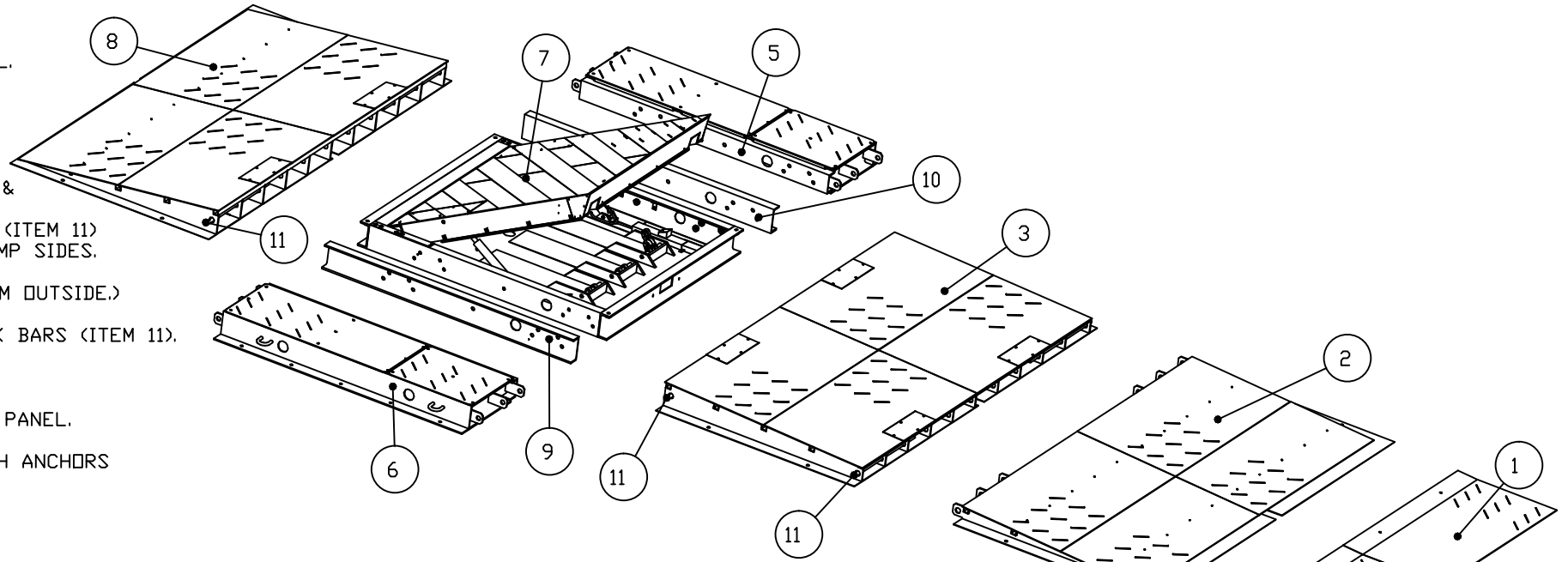


INSTALLATION NOTES:

1. ENSURE THE AREA WHERE THE BLOCKER IS TO BE INSTALLED IS FLAT AND LEVEL.
2. PLACE RB880CR BLOCKER (ITEM 7) IN POSITION.
3. INSTALL BLOCKER LEFT CHANNEL (ITEM 9) AND RIGHT CHANNEL (ITEM 10).
4. REMOVE TOP PLATES FROM RAMP SIDES (ITEMS 5 & 6).
5. PULL HYDRAULIC HOSES AND LIMIT SWITCH CABLES THROUGH APPROPRIATE RAMP SIDE, TO SUIT SITE.
6. BOLT BLOCKER SIDE RAMPS TO BLOCKER USING 18 OFF M24x70mm BOLTS + FLAT & SPRING WASHERS (GREASE BOLTS BEFORE FIXING).
7. REMOVE HATCH COVERS FROM REAR RAMP (ITEM 8). POSITION 2 OFF LINK BARS (ITEM 11) IN CENTRE OF REAR RAMP. POSITION REAR RAMP IN LINE WITH BLOCKER AND RAMP SIDES. SLIDE BARS THROUGH REAR RAMP AND SIDE RAMP PROFILES FROM INSIDE HATCH. (IF RAMP SIDES ARE NOT RESTRICTED (E.G. KERBS), LINK BARS CAN BE FED FROM OUTSIDE.)
8. ATTACH FRONT RAMP INNER (ITEM 3) USING 2 OFF LINK BARS (ITEM 11).
9. ATTACH FRONT RAMP (ITEM 2) TO FRONT RAMP INNER (ITEM 3) USING 2 OFF LINK BARS (ITEM 11).
10. REPLACE ALL RAMP DURBAR HATCH COVERS.
11. INSTALL DURBAR EXTENSION PIECES (ITEM 1) TO FRONT RAMP (ITEM 3).
12. ATTACH HPU DUMMY DEFENCE WALL (ITEM 4) USING CHAIN LINKS PROVIDED.
13. ATTACH HYDRAULIC HOSES AND TERMINATE ELECTRICAL CONNECTIONS IN CONTROL PANEL. HYDRAULIC HOSES ARE LABELED, ALSO FOLLOW CONNECTION DIAGRAM.
14. SECURE BLOCKER TO FOUNDATION USING M20x80 SET SCREWS & HILTI HKDS FLUSH ANCHORS IN 30 OFF SECURING POINTS AROUND ASSEMBLY (ANCHOR TOOL M20-3/4x80, ANCHORS AND SET SCREWS PROVIDED.)



	DURBAR LIFTING HOLES	RB980CR_1_32		
	DURBAR SIDE RAMPS	RB980CR_1_31		
	DURBAR PUDDLE HOLES	RB980CR_1_30		
	DURBAR WITH HATCH	RB980CR_1_29	6	
	RAMP LIFTING BLOCK	RB980CR_1_28	8	
1	LINK BAR	RB980CR_1_26	6	
	REAR RAMP PROFILE	RB980CR_1_25	11	
10	BOLT ON CHANEL, RIGHT	RB880_1_42	1	
9	BOLT ON CHANEL, LEFT	RB880_1_42	1	
8	REAR RAMP	RB980CR_1_24	1	
7	RB880CR BLOCKER	RB880_100	1	
	SIDE RAMP PROFILE	RB980CR_1_22	12	
6	RAMP SIDE, LEFT	RB980CR_1_01	1	
5	RAMP SIDE, RIGHT	RB980CR_1_01	1	
4	HPU DUMMY DEFENCE WALL	RB980CR_101	1	
	FRONT RAMP INN.PROF.	RB980CR_1_21	11	
3	FRONT RAMP INNER	RB980CR_1_20	1	
	FRONT RAMP PROFILE	RB980CR_1_23	11	
2	FRONT RAMP	RB980CR_1_19	1	
1	DURBAR EXTENSION		2	
ITEM	DESCRIPTION	DRAWING	QTY	



Avon Barrier Corporation Ltd.
149 South Liberty Lane,
Ashton Vale Trading Est.
Bristol.
BS3 2TL.
UK.
T: +44 (0)117 953 5252
E: technical@avon-barrier.co.uk
W: www.avon-barrier.co.uk

Drawing Title
**RB980CR
SURFACE
MOUNT
ASSEMBLY**

C	REDRAWN	M.J	13/6/06
B	REDRAWN	M.J	5/2/06
A	REDRAWN	M.J	1/11/05
ISSUE	REVISION	SIG.	DATE

Drawn	Traced	Checked	Approved	Date
M.J		PhJ	PhJ	11/05

3rd ANGLE PROJECTION	Tolerances	Used on	Drawing No. RB980CR_100
IF IN DOUBT ASK	Material	Finish	Scale
COMPUTER GENERATED DO NOT ALTER BY HAND			Sht. of Rev. 1 2 C

BLOCKER SHOWN IN RAISED POSITION
CHAINS NOT SHOWN