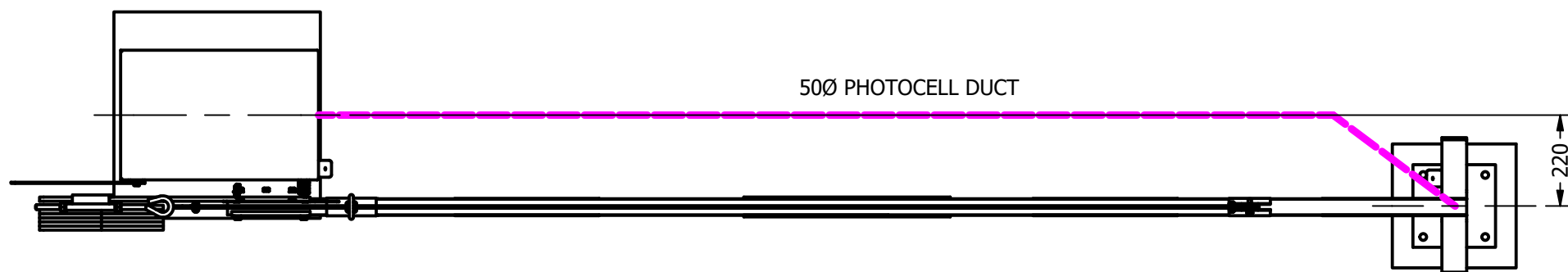
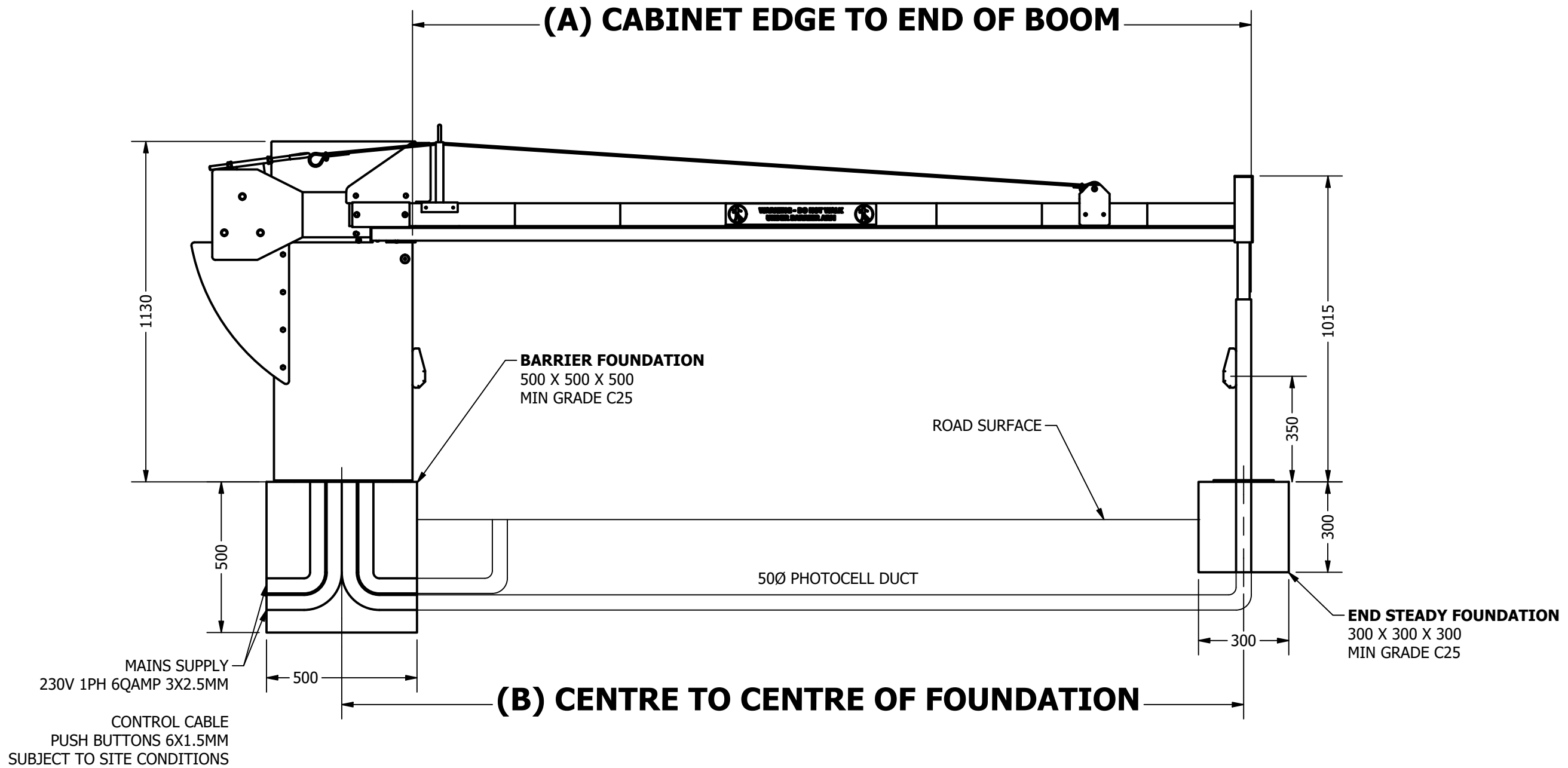


MINIMUM CONCRETE GRADE - C25



Foundation and Catcher Measurements		
Boom Length	A	B
4.5M	4290	4495
5M	4790	4995
5.5M	5290	5495
6M	5790	5995
6.5M	6290	5495
7M	6790	6995

1	INITIAL ISSUE	16/03/2020		MH	PA	PA
ISSUE	DESCRIPTION	DATE	CR NUMBER	DRAWN	CHECKED BY	APPROVED
REVISION HISTORY						

COPYRIGHT
 THIS DOCUMENT CONTAINS INFORMATION WHICH IS BOTH CONFIDENTIAL AND PROPRIETARY TO AVON BARRIER CORPORATION Ltd. NEITHER THIS DOCUMENT NOR THE INFORMATION CONTAINED HEREIN SHALL BE COPIED, DISCLOSED TO OTHERS OR USED FOR ANY PURPOSE BEYOND THE SPECIFIC PURPOSE FOR WHICH THIS DOCUMENT WAS DELIVERED WITHOUT THE EXPRESS WRITTEN PERMISSION OF AVON BARRIER CORPORATION Ltd.

PAPER COPIES ARE UNCONTROLLED. USER IS RESPONSIBLE FOR VERIFYING CURRENT ISSUE.

Avon Barrier

Avon Barrier Corporation Ltd.
 149 South Liberty Lane, Ashton Vale Trading Estate, BRISTOL, BS3 2TL, UK
 T: +44 (0) 117 953 5252, E: technical@avon-barrier.co.uk, W: www.avon-barrier.co.uk

TOLERANCE UNLESS SPECIFIED - (mm)
 DECIMALS: 0 ± (1) x ± (0.3) xx ± (0.1) / ANGULAR: ± (0.5°)

MATERIAL: N/A
 FINISH: N/A

TITLE FOUNDATION AND CATCHER MEASUREMENTS

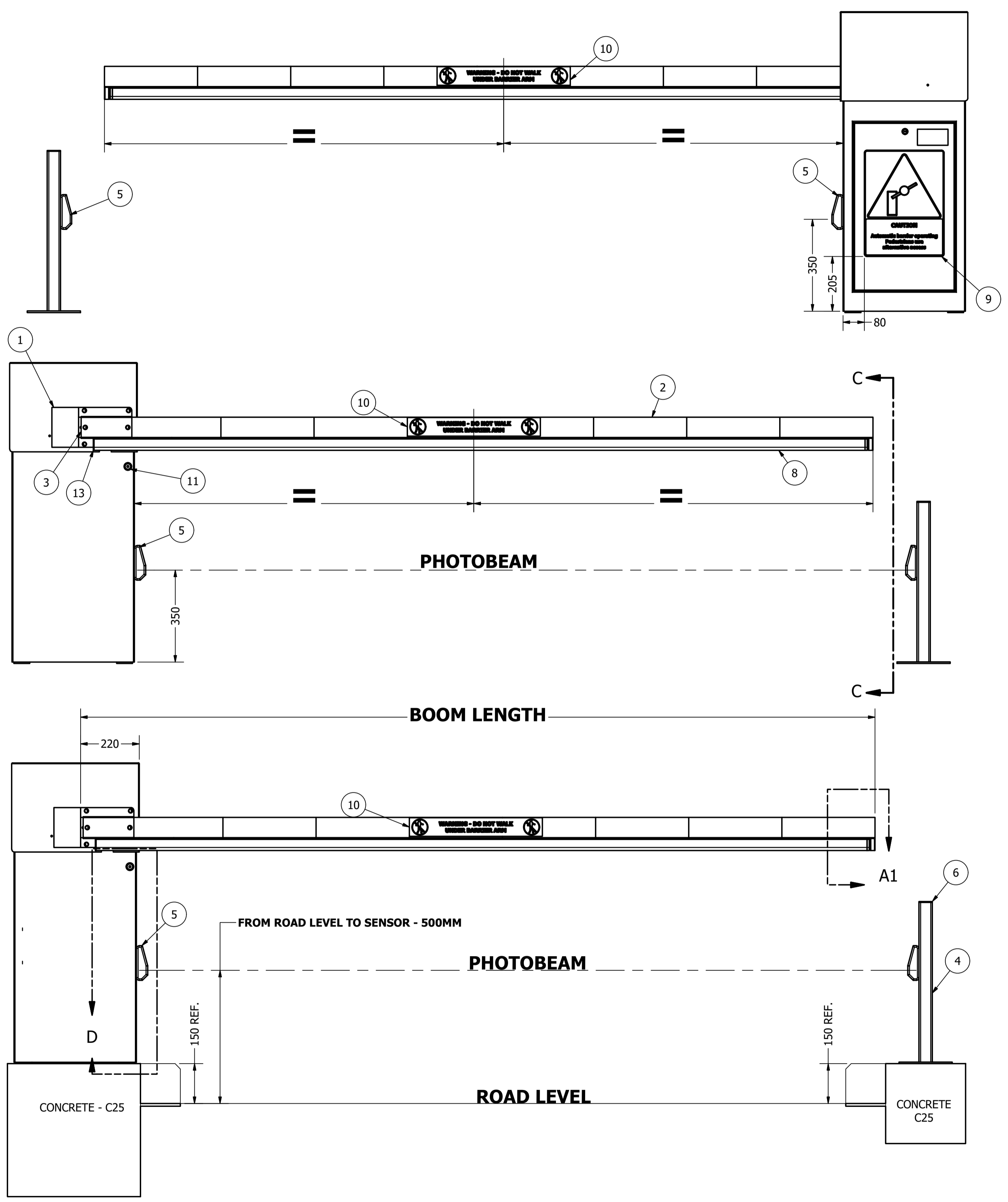
DRAWING NUMBER EB750-CE-RF-GA

MASS (Kg): N/A
 SCALE: 1 / 15
 SIZE: A3
 SHEET: 1 / 1

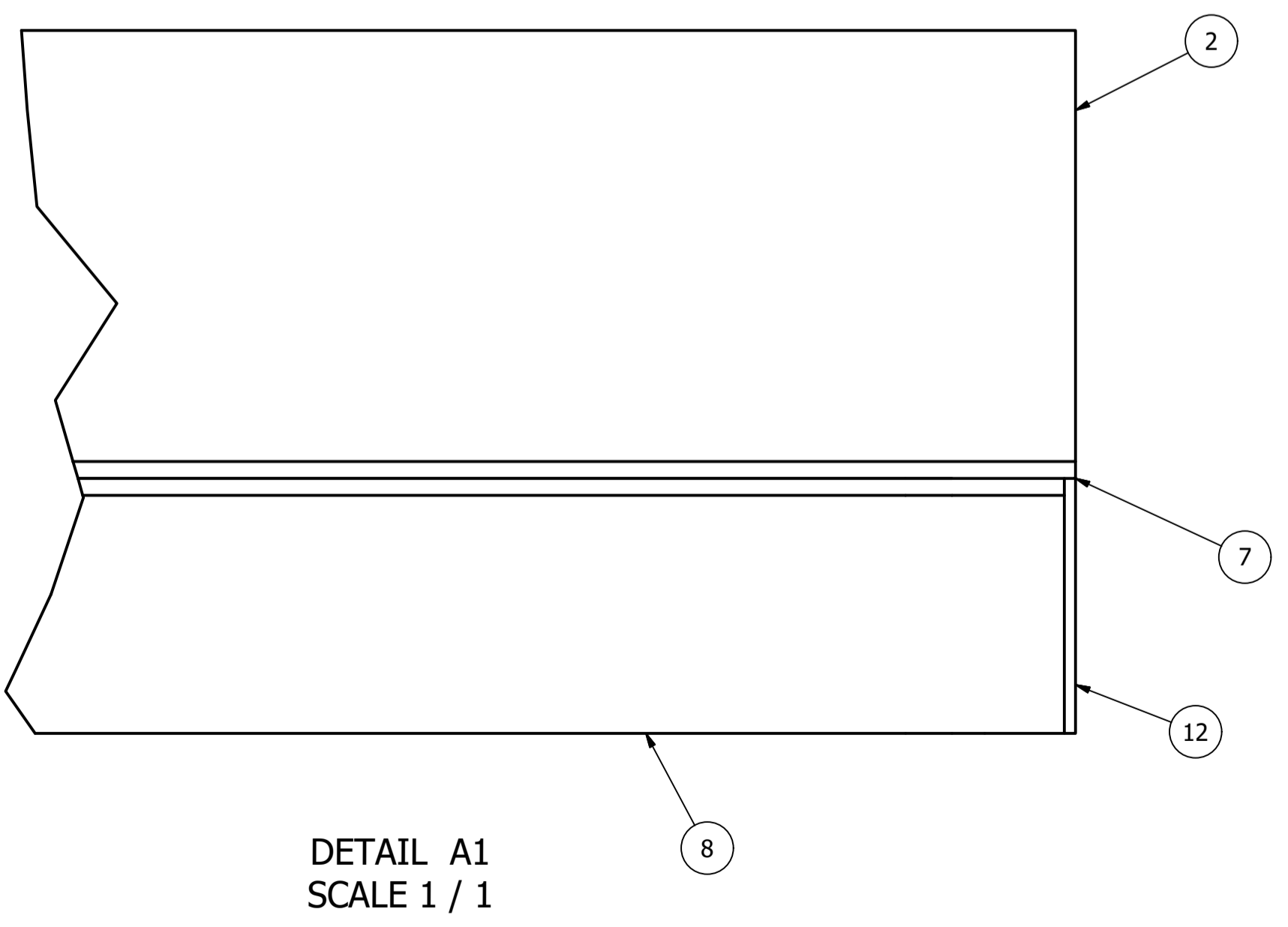
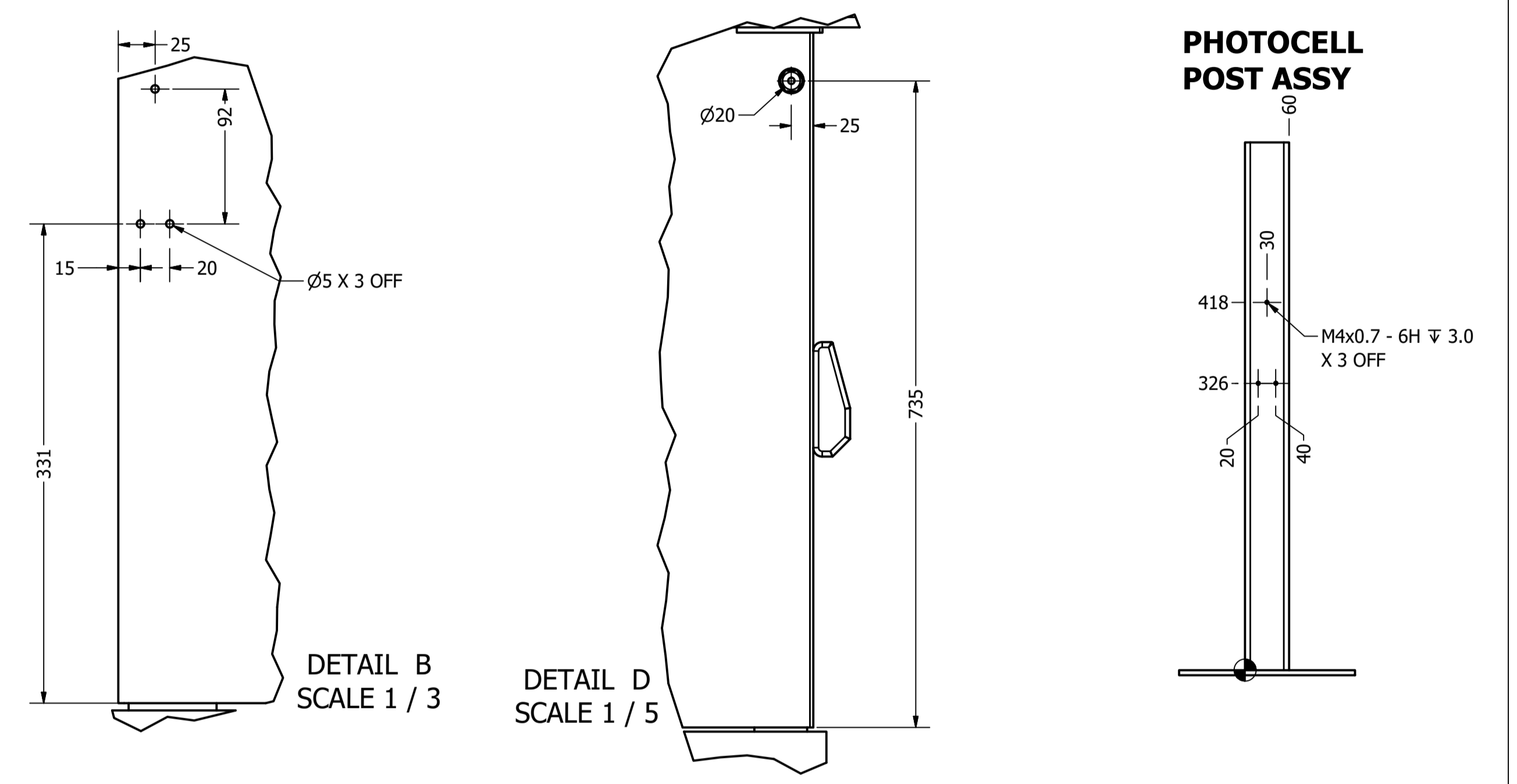
THIRD ANGLE PROJECTION

REVISION HISTORY					
REV	DESCRIPTION	DATE	C.R. NUMBER	DRAWN	CHECKED / APPROVED
1	INITIAL ISSUE	19/03/2019		LM	PA / PA


CONFIGURATION A - ARM LENGTH - FROM 2.5M TO 4M



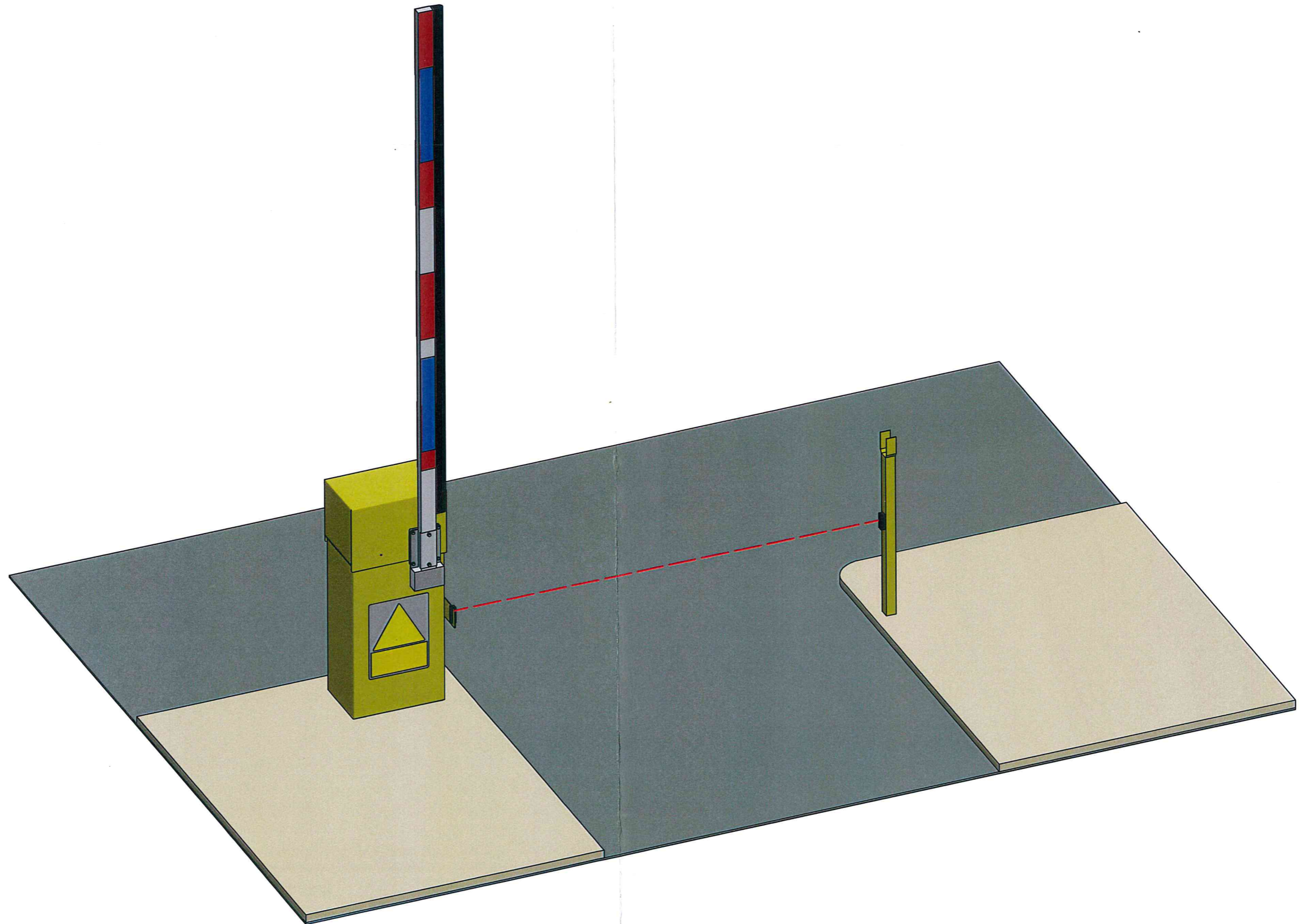
PARTS LIST				
ITEM	PART NUMBER	DESCRIPTION	ITEM QTY	CATEGORY
1	RWS0157	Side arm plate (300 x 150 x 5 MS) complete with lump (150 x 100 x 50 MS) EB450-1-04 / Rev - B	1	STOCK
2	AL001 or AL002 or AL003 or AL004	ALUMINIUM RECTANGULAR 3-3.5-4m or 4.5-5m or 5.5-6m or 6.5-7m	1	STOCK
3	AL029	Boom Clamp Plate As Per Drawing BSD-1-010 / Rev - A	1	STOCK
4	AC0434	To Supply and Manufacture Photocell Post Assembly As per Drawing AEPTS-1-09 / Rev - A	1	STOCK / ASSY
5	ACC078	FAAC EX20WD wireless photocells	2	STOCK
6	CS0364	100 X 50 X 3 END PLASTIC CAP	1	STOCK
7	GD484	Beninca ASO Ali profile for (45,65 & 85mm F Series) per metre	1	STOCK
8	GD483	Beninca ASO - 45mm F Series Safety Edge Profile (per mtr)	1	STOCK
9	S00461	CAUTION BARRIER SIGN AS PER DRAWING	1	STOCK
10	S00460	PEDESTRIAN BARRIER SIGN	2	ABC
11	EC0839	Lapp M20 Click Gland - Individual 475 136	1	STOCK
12	GD485	Beninca ASO KS8W-45 - 8.2kOm Res. End cap 45mm (plug in)	1	STOCK
13	GD486	Beninca ASO KS8L2.5-45 - End Cap with 2.5m Lead (plug in)	1	STOCK




- NOTES:
1. ASSEMBLY AS INDICATED.
 2. REMOVE ALL THE BURRS AND/ OR SHARP EDGES.
 3. FOR SAFETY DO NOT ATTEMPT TO LIFT ANY HEAVY ITEMS WITHOUT THE ASSISTANCE OF ANOTHER PERSON OR MECHANICAL AID.
 4. IF IN DOUBT PLEASE ASK.

UNSPECIFIED TOLERANCE - (mm)	MATERIAL	THIS DOCUMENT CONTAINS INFORMATION WHICH IS BOTH CONFIDENTIAL AND PROPRIETARY TO AVON BARRIER CORPORATION Ltd. NEITHER THIS DOCUMENT NOR THE INFORMATION CONTAINED HEREIN SHALL BE COPIED, DISCLOSED TO OTHERS OR USED FOR ANY PURPOSE BEYOND THE SPECIFIC PURPOSE FOR WHICH THIS DOCUMENT WAS DELIVERED WITHOUT THE EXPRESS WRITTEN PERMISSION OF AVON BARRIER CORPORATION Ltd.	MASS (Kg)	 Complete copyright of Avon Barrier Corporation Ltd.	Avon Barrier Corporation Ltd.	DESIGNED LamprosMarkos	DESIGNED DATE 19/03/2019	DWG CHECK	ENG CHECK
DECIMALS 0 ± (1)	N/A		N/A		PAPER COPIES ARE UNCONTROLLED. USER IS RESPONSIBLE FOR VERIFYING CURRENT REVISION.	149 South Liberty Lane, Ashton Vale Trading Estate, Bristol. BS3 2TL. UK. T: +44 (0) 117 953 5252 F: +44 (0) 117 953 5353 E: technical@avon-barrier.co.uk W: www.avon-barrier.co.uk	TITLE EB750 CONFIGURATION A - GA		
ANGULAR ± (0.5°)	FINISH				DRAWING NUMBER CE-BAR-AL-BOOM-CA				
X ± (0.3)	N/A				SCALE 1 : 20	SHEET SIZE A1	SHEET NUMBER 1 / 1	REVISION	1
XX ± (0.1)	THIRD ANGLE PROJECTION								

REVISION HISTORY					
REV	DESCRIPTION	DATE	C.R. NUMBER	DRAWN	APPROVED
1	INITIAL ISSUE	07/03/2018			



UNSPECIFIED TOLERANCE - (mm)	MATERIAL	THIS DOCUMENT CONTAINS INFORMATION WHICH IS BOTH CONFIDENTIAL AND PROPRIETARY TO AVON BARRIER CORPORATION Ltd. NEITHER THIS DOCUMENT NOR THE INFORMATION CONTAINED HEREIN SHALL BE COPIED, DISCLOSED TO OTHERS OR USED FOR ANY PURPOSE BEYOND THE SPECIFIC PURPOSE FOR WHICH THIS DOCUMENT WAS DELIVERED WITHOUT THE EXPRESS WRITTEN PERMISSION OF AVON BARRIER CORPORATION Ltd.	MASS (Kg)	 Complete copyright of Avon Barrier Corporation Ltd.	Avon Barrier Corporation Ltd. 149 South Liberty Lane, Ashton Vale Trading Estate, Bristol. BS3 2TL. UK.	DESIGNED PabloAtamaniuk	DESIGNED DATE 07/03/2018	DWG CHECK	ENG CHECK		
DECIMALS 0 ± (1) x ± (0.3) XX ± (0.1)	3mm THK WHITE PLASTIC FINISH NATURAL		N/A		PAPER COPIES ARE UNCONTROLLED. USER IS RESPONSIBLE FOR VERIFYING CURRENT REVISION.	T: +44 (0) 117 953 5252 F: +44 (0) 117 953 5353 E: technical@avon-barrier.co.uk W: www.avon-barrier.co.uk	TITLE	DRAWING NUMBER EB750-RH-YELL		SCALE * : *	SHEET SIZE A1