

FIXING 6 OFF M16x190 CHEMI. BOLTS

- NOTES:**
- ELECTRO-MECHANICAL BARRIER - EB950 TRIUMPH. LINEAR ACTUATOR 24V DC. 4000. NITROGEN GAS STRUT. CONTROL VOLTAGE 24V. WINDING HANDLE FACILITY IN THE EVENT OF A POWER FAILURE. LOCKABLE HINGED FRONT DOOR, REMOVABLE LID.
 - BARRIER CABINET SECURED TO FOUNDATION USING 6 x M16 x 190 CHEMICAL ANCHORS.
 - BOOM - CIRCULAR SECTION REINFORCED RESIN BONDED FIBRE #82 WITH RED/WHITE FASCIAL STRIPES 340 LONG WITH REINFORCEMENT AT FIXING POINT.
 - END STEADY WITH RUBBER SUPPORT, ADJUSTABLE HEIGHT, SPRING LOADED. SECURED TO FOUNDATION USING 4 x M12 x 160 CHEMICAL ANCHORS.
 - ALL DUCTING PVC. #50, UNLESS OTHERWISE SPECIFIED. SHOWN THUS: [Symbol]
 - CABLE DETAILS:
 MAINS SUPPLY - 230V/ph 3ø 3 x 1.5mm
 CONTROL CABLE PUSH BUTTONS - 6 x 1.5mm
 ALL SUBJECT TO SITE CONDITIONS.

- MATERIALS**
- BOOM - Ø83 GRP
 - SKIRT DROPS - 16 x 3 GRP FLAT
 - TOP AND BOTTOM ANGLES - 25 x 25 x 3 GRP

ISSUE	REVISION	SIG.	DATE
D	COUNTERWEIGHT DIMENSION DELETED	M.J	4/12/14
C	C25 WAS CP25	M.J	10/5/13
B	OPTIONAL PHOTOCELL	M.J	20/8/10

Avon Barrier Corporation Ltd.
 149 South Liberty Lane,
 Ashton Vale Trading Est.
 Bristol.
 BS3 2TL.
 UK.
 T: +44 (0)117 953 5252
 E: technical@avon-barrier.co.uk
 W: www.avon-barrier.co.uk

Drawing Title

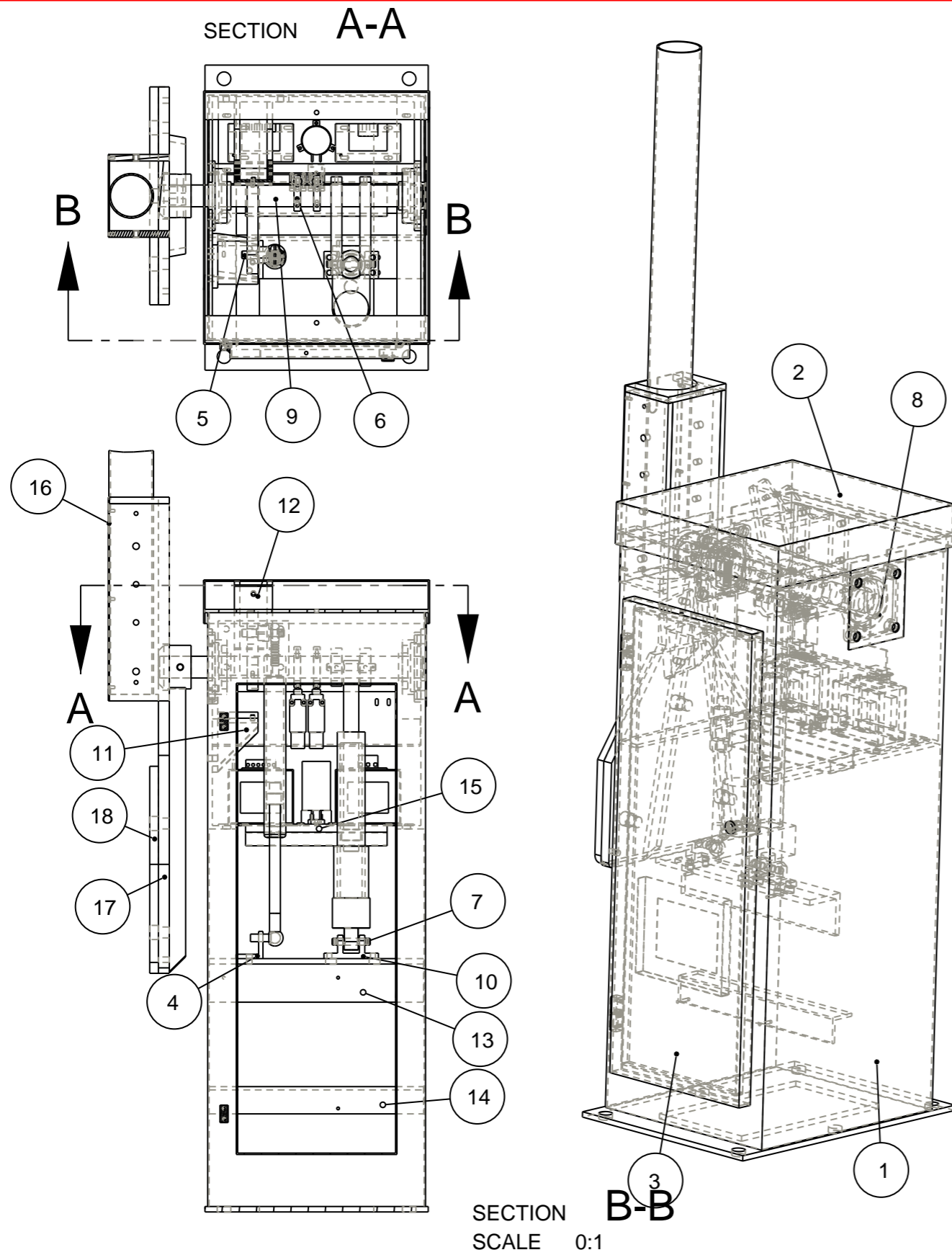
AVON EB950 TRIUMPH BARRIER,
 GENERAL ASSEMBLY.

SKIRT AT 180 CENTRES

Drawn	Traced	Checked	Approved	Date	Scale
M.J	.	.	.	06/10	NTS

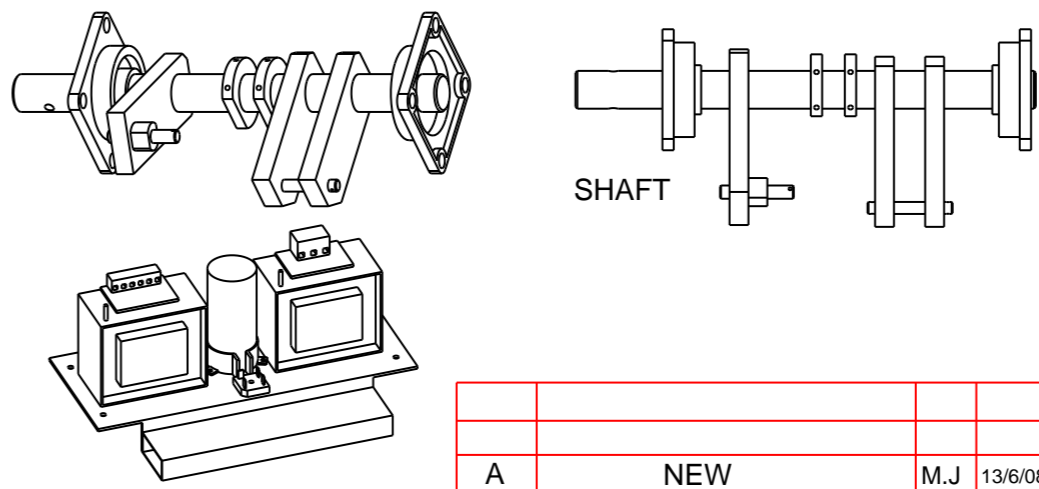
Drawing No.	Issue
EB950-6-01	D

AVON BARRIER CORPORATION LTD. CONFIDENTIAL



SECTION SCALE 0:1

ITEM	DESCRIPTION	DRAWING
1	CABINET	EB950-1-16
2	LID	EB950-1-14
3	DOOR	EB950-1-15
4	GAS SPRING MOUNTING	EB950-0-01
5	GAS SPRING DRIVE PIN	EB950-0-02
6	LIMIT SWITCH CAM	EB950-0-07
7	ACTUATOR DRIVE PIN	EB950-0-09
8	BEARING BLANK PLATE	EB950-0-19
	BEARING BLANK PLATE	EB950-0-18
9	SHAFT & DRIVE ARMS	EB950-1-03
10	ACTUATOR MOUNTING	EB950-1-04
11	LOWER BUFFER BRACKET	EB950-1-05
12	REAR BUFFER BRACKET	EB950-1-06
13	A&B CABINET BRACKET	EB950-1-10
14	C CABINET BRACKET	EB950-1-11
15	TRANSFORMER TRAY	EB950-1-12
16	SIDE ARM COVER PLATE	EB950-1-20
	SIDE ARM BOSS	EB950-1-21
17	SIDE ARM	EB950-1-22
	SKIRT DRAG LINK	EB950-1-22



Avon Barrier Corporation Ltd.
 Nova House
 195 South Liberty Lane
 Ashton Vale Trading Estate
 Bristol BS3 2UU
 Tel: (44) (0117) 953 5252
 Fax: (44) (0117) 953 5373
 E-mail: MECHANICAL @AVON-BARRIER.CO.UK

Drawing Title											
EB950 ASSEMBLY											
A	NEW	M.J	13/6/08	Drawn	Traced	Checked	Approved	Date			
SSUE	REVISION	SIG.	DATE	M.J	...			6/08			
Tolerances				Used on				Drawing No.			
				EB950CR				EB950_100			
Material				Finish				Scale	Sht.	of	Rev.
								NTS	1	1	A

IF IN DOUBT ASK

3rd ANGLE PROJECTION

COMPUTER GENERATED
DO NOT ALTER BY HAND