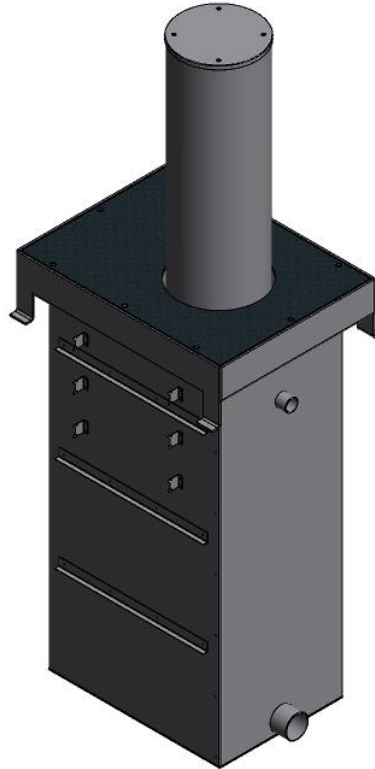


---

## Technical Data Sheet

---



- Design:** High security bollard in compact style with integrated hydraulic aggregate and separate control unit for up to five bollard units.
- Kinetic Impact Energy:** 667 kJ (7.5 t @ 48 km/h)
- Certification:** Crash test certified according to PAS 68:2013 V/7500[N2]/48/90:0.0/0.0 and IWA 14-1:2013 V/7200[N2A]/48/90:0.4
- Blocking Element:** Diameter: 355 mm, 16 mm wall thickness with screwed on top plate
- Blocking Height:** 1000 mm above finished floor level
- Emergency Operation:** Bollard remains in the raised position and can be lowered manually during power failure  
Accumulator and rechargeable battery pack for one raising movement (RO1) with charged accumulator during power failure (optional)
- Operating Times:** Raising: approx. 5-6 sec - Lowering: approx. 3-4 sec  
Emergency fast operation (EFO): approx. 2-3 sec raising with charged accumulator (optional)
- Wheel Load:** 100 kN according to SLW60 – DIN 1072
- Drive:** 1.1 kW, 230/400 V, three phase, 50 Hz
- Hydraulic Fluid:** Mineral oil HLP 22 or biodegradable oil Plantohyd 22 S, non-hazardous to water
- Control Unit:** Microprocessor control unit WE-Tronic II in control box for wall installation inside a building, control voltage 24 V DC  
Max. distance between bollard and control unit: 50 m

---

## Technical Data Sheet

---

<b>Supply Voltage:</b>	400 V (3Ph + N + PE), 50 Hz
<b>Lighting (Optional):</b>	Bollard top lighting, Ufo-shape, LED red, white or yellow
<b>Tamper resistance: (Optional)</b>	Reed contact for cover plate
<b>Control Box:</b>	<b>Control unit configuration without rechargeable battery pack:</b> HxWxD = 600x400x210 mm, IP 66 (for single, double and triple bollard unit) HxWxD = 600x600x210 mm, IP 66 (for quadruple and penta bollard unit) <b>Control unit configuration with rechargeable battery pack for RO1:</b> HxWxD = 800x400x300 mm, IP 66 (for single, double and triple bollard unit) HxWxD = 600x600x210 mm, IP 66 (for quadruple and penta bollard unit)
<b>Control Cabinet: (Optional)</b>	Control box installed in outdoor control cabinet complete with rain cover, hygostat, thermostat, heater and outdoor coating  HxWxD = 1200x1200x400 mm + 200 mm socket (for single, double and triple bollard unit with RO1) or HxWxD = 1000x800x400 mm + 200 mm socket (for all other bollard units) respectively
<b>Weight:</b>	Approx. 870 kg incl. metal housing
<b>Colour (Standard):</b>	Blocking element RAL 6005, 7016, 7030, 7035 or 9010 Bollard top plate galvanised finish Cover plate galvanised finish Metal housing galvanised finish Metal housing frame galvanised finish Installation frame galvanised finish
<b>Colour (Optional):</b>	Blocking element other RAL colour Bollard top plate in RAL colour of blocking element Cover plate in RAL colour of blocking element
<b>Optional Finish:</b>	Blocking element with stainless steel sleeve and stainless steel top plate
<b>Temperature Range:</b>	-20°C ... +65°C Optional: Heating for up to -30°C